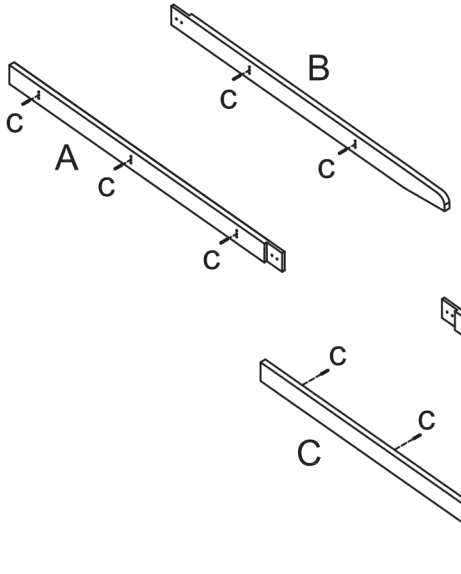
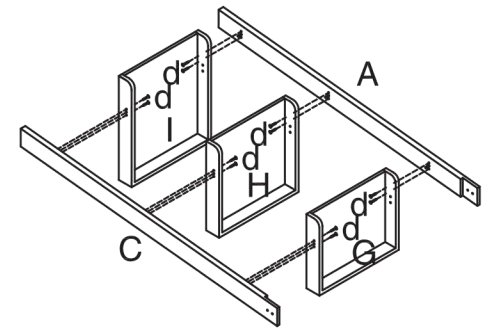


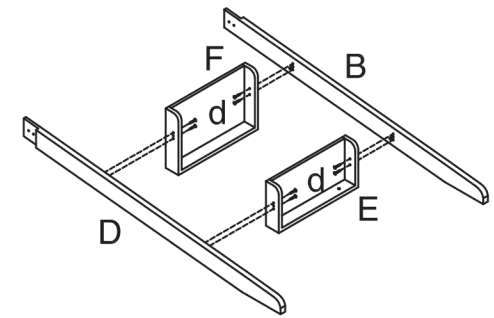
01



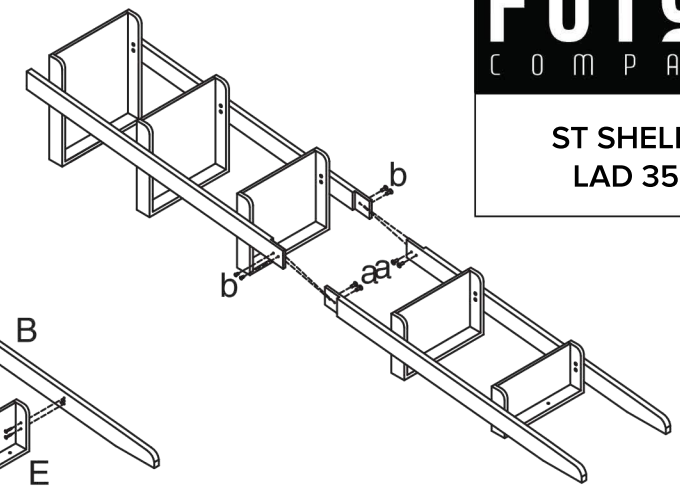
02



03

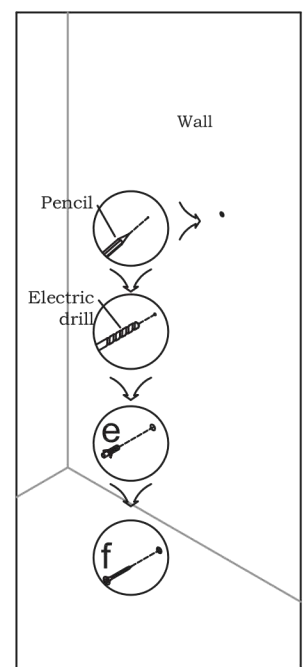
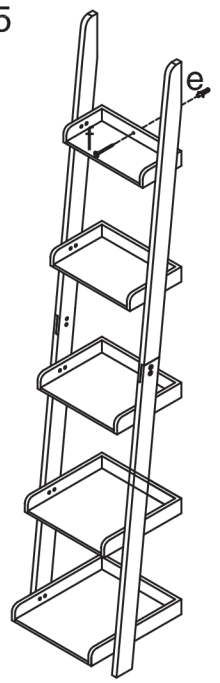


04



For step 4 lay the two sections of your ladder shelf on a flat surface before joining together

05



For safety reasons, we advise you to fix this item to the wall if young children or boisterous dogs are liable to bang into it. Never allow children to climb on furniture.

Follow step 5 to fix unit to wall. Fitting E is a standard wall fitting. For details on suitable fixing for your wall type seek advice from your local hardware store.

A	1pc	B	1pc	C	1pc	D	1pc				
E	1pc	F	1pc	G	1pc	H	1pc	I	1pc		
a	4pcs	b	4pcs	c	10pcs	d	20pcs	e	1pc	f	1pc