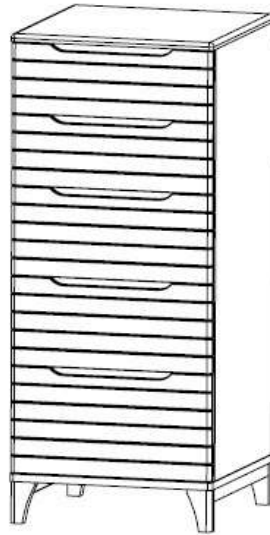


Assembly Instructions

Sierra Tall Chest-of-Drawers

FUTON
C O M P A N Y



Please read these instructions very carefully before you begin to ensure that your Futon Company Sierra Tall Chest-of-Drawers will give you many years of satisfaction.

Thank you for buying a Futon Company product.

We are constantly striving to improve everything we do, but occasionally mistakes do occur. In the unlikely event that you find any part missing, please call your nearest Futon Company store and we will arrange for the despatch of an immediate replacement. Please keep all packaging until you have checked every part and assembly of your Futon Company product is complete.

Version: 1

Product Code: Sierra COD Tall

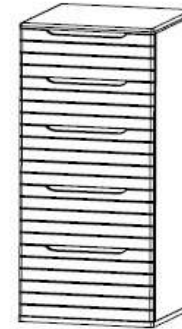
PO 11912

experts in small space living



Part Checklist

Please count and check every component very carefully before you begin



1. Cabinet x 1



2. Leg x 2



3. Rail x 1



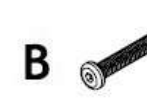
Fittings Checklist

Please count and check every component very carefully before you begin



A

Allen Key x 1



B

Bolt x 7



C

Spring Washer x 7



D

Flat Washer x 7



E

Wood Dowel x 4

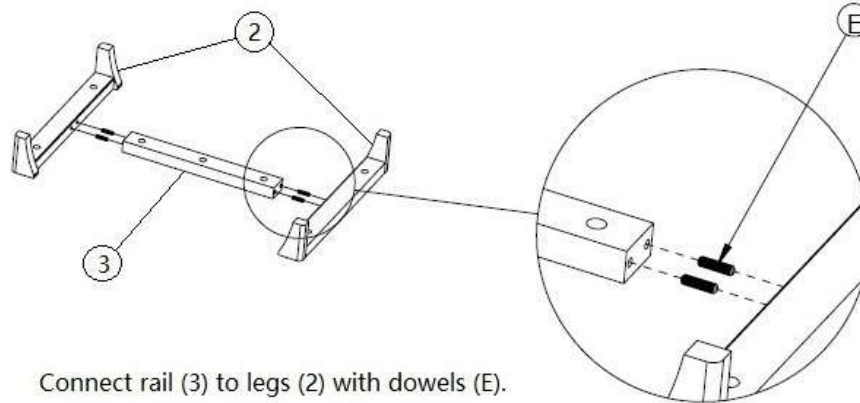


How to assemble Sierra Tall Chest-of-Drawers
Please follow these instructions carefully

FUTON
C O M P A N Y

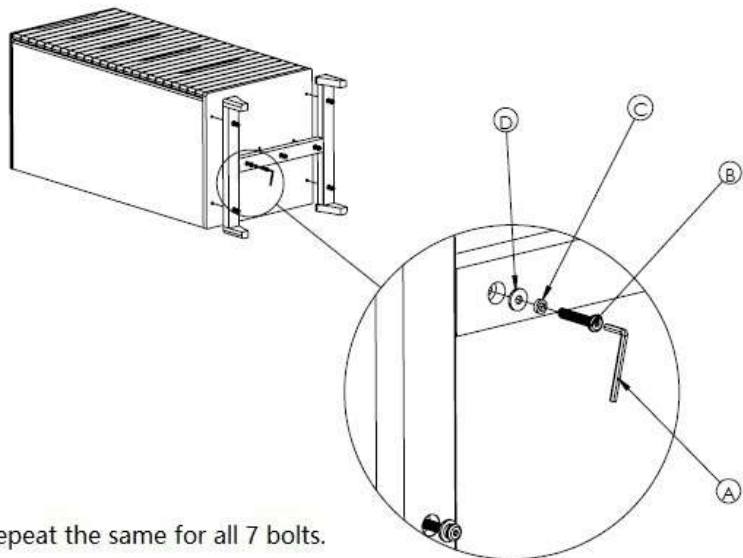
Step 1 : Lay the Chest-of-Drawers face down on a clean, flat, soft surface to prevent scratching the top.

Step 2 :



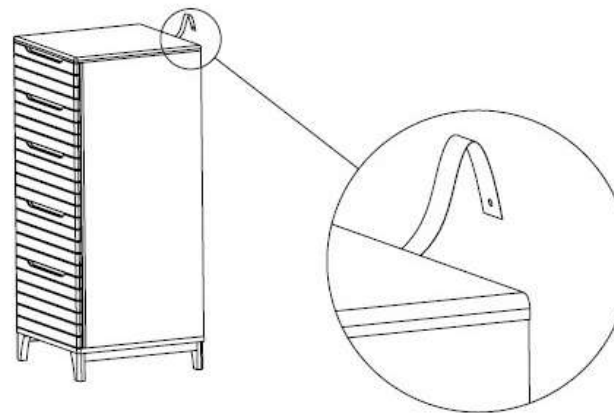
Connect rail (3) to legs (2) with dowels (E).

Step 3 :



Repeat the same for all 7 bolts.

Step 4 :



Secure your product to the wall using the wall leash.
Screws for wall are not included.
Contact your local hardware store for advice on suitable fixings.

FINISH

Timber may be selected to ensure that the visible surfaces are of a higher grade than unseen surfaces. These unseen areas are not finished to the same standard as the visible surfaces.

CARE

To clean your Chest-of-Drawers, wipe with a damp cloth followed by a dry cloth.

IMPORTANT

To ensure maximum performance from this product, we advise that you check and tighten all bolts and screws on a regular basis to avoid damage and strain to parts.

Improper use, improper assembly and mishandling may lead to product damage.

DO NOT STAND ON THIS PRODUCT

GUARANTEE

This instruction leaflet forms part of your guarantee, please retain it. The PO number along with your invoice number will need to be quoted in all correspondence with Futon Company.

Thank you for choosing Futon Company.

