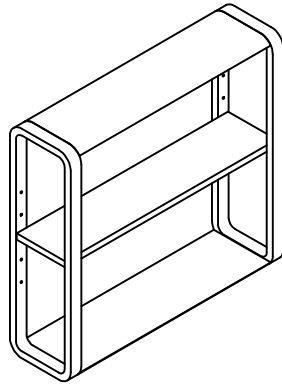


# Assembly Instructions



## Loop Oak Wall Shelf

ROPO no:



PLEASE READ THESE INSTRUCTIONS VERY CAREFULLY BEFORE YOU BEGIN, TO ENSURE THAT YOUR FUTON COMPANY PRODUCT WILL GIVE YOU MANY YEARS OF SATISFACTION

Thank you for buying Futon Company product

We are constantly striving to improve everything we do, but very occasionally mistakes do occur.

In the unlikely event that you find any part missing please call your nearest Futon Company store and we will arrange for the despatch of an immediate replacement.

Please keep all packaging until you have checked every part and assembly of your Futon Company product is complete.

Version number: 1    Product code: ST SHELF LOOP WALL    Date: 11/09/24

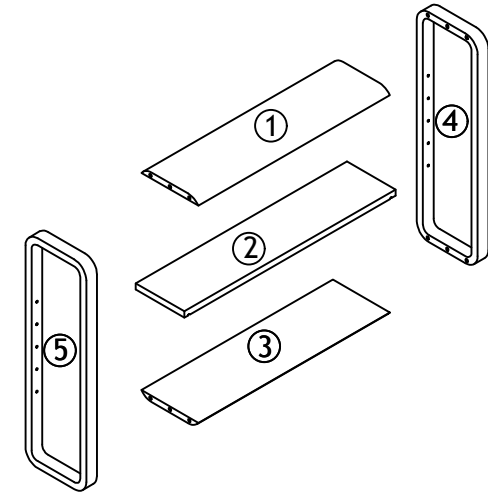
*experts in small space living*



### Parts Checklist

Please count and check every component very carefully before you begin

- ① Top Shelf x 1
- ② Middle Shelf x 1
- ③ Bottom Shelf x 1
- ④ Right Side x 1
- ⑤ Left Side x 1



### Fittings Checklist

Please count and check every component very carefully before you begin



- ① Wooden Dowel x 8
- ② Bolt x 4
- ③ Nut x 4
- ④ Pressure Plate x 4



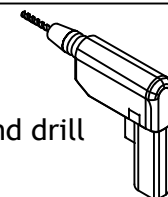
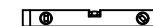
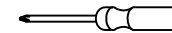
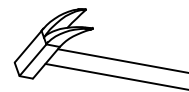
- ⑤ Small Spanner x 1
- ⑥ Wall fixing x 2
- ⑦ Short Screw x 2



- ⑧ Shelf Support x 4

To hang your Shelf correctly use the paper template. The distance between the two holes is 665 ± 2mm. When tightening screws make sure they are close to the wall so the Shelf is tight to the wall when hung on keyhole plates.

- ⑨ paper template x 1

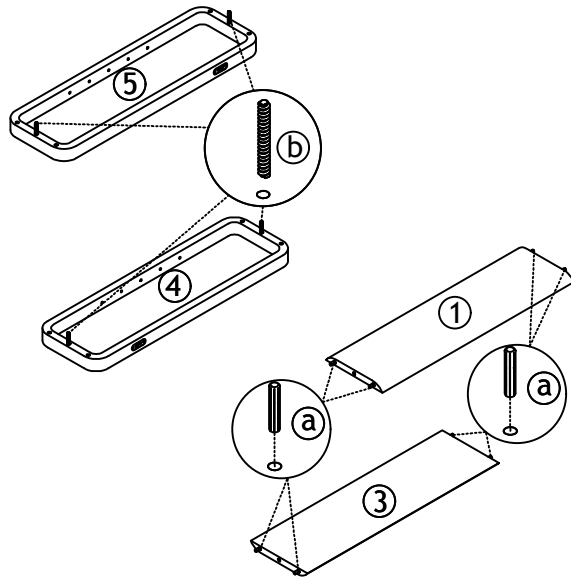


\*\*\* Cross head Screwdriver, spirit level, Hammer and drill also required for assembly.

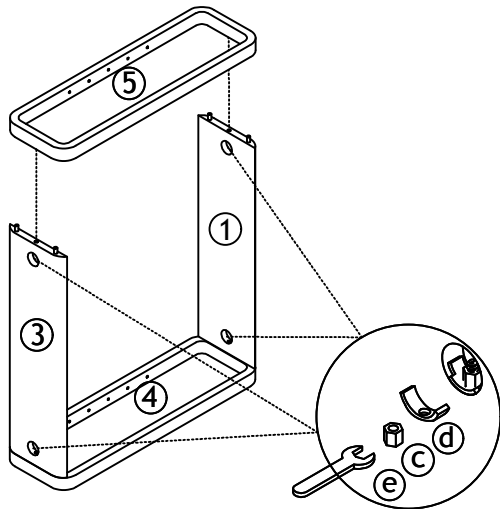


## How To Hang Your Shelf

Please follow these instructions carefully

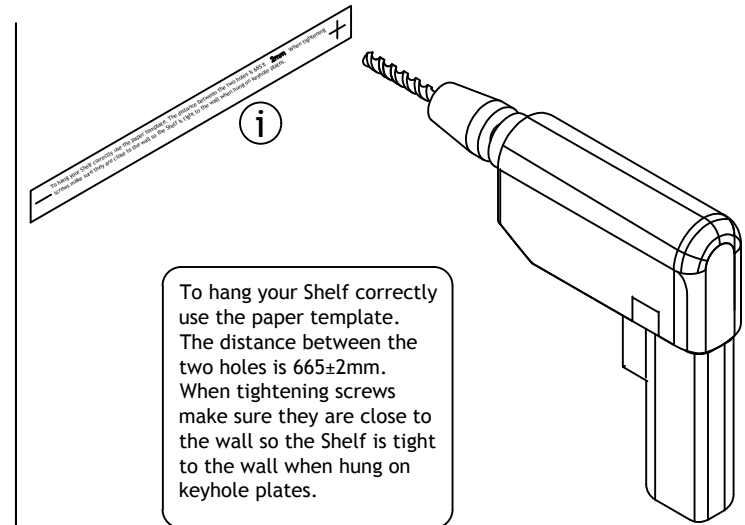
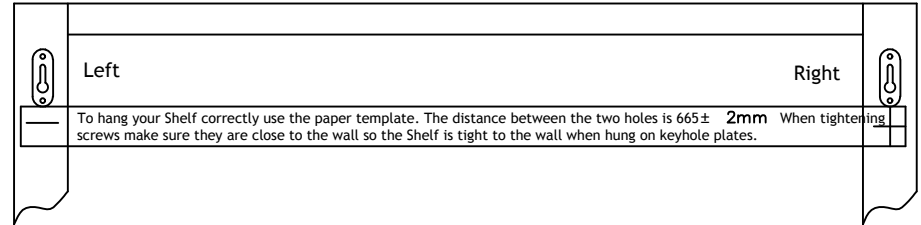


1.

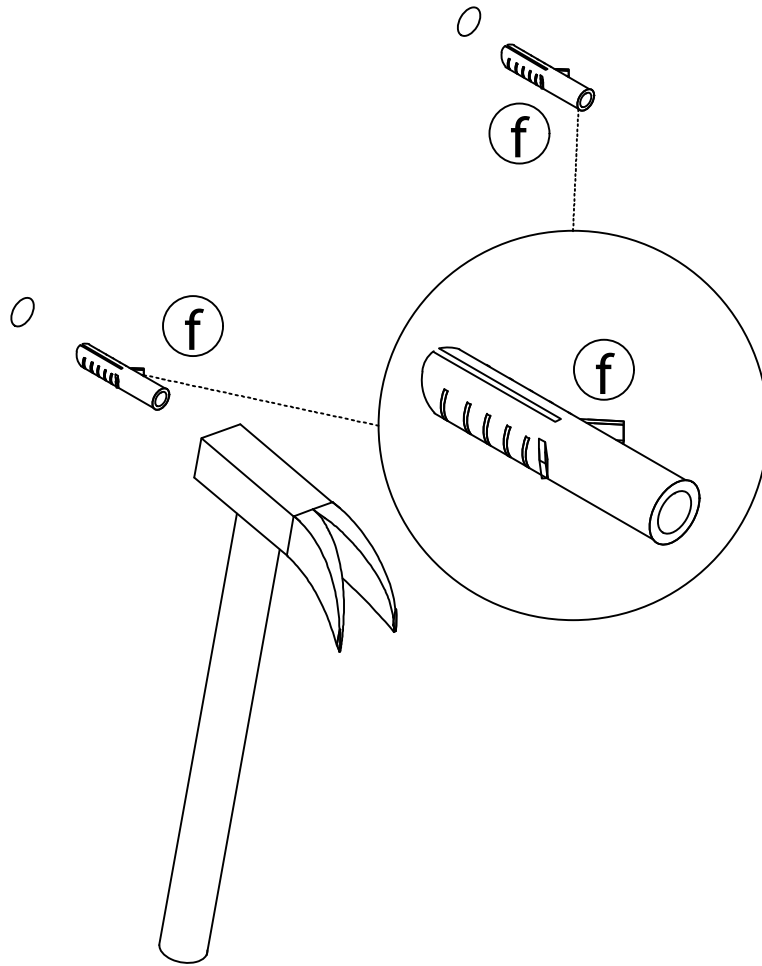


2.

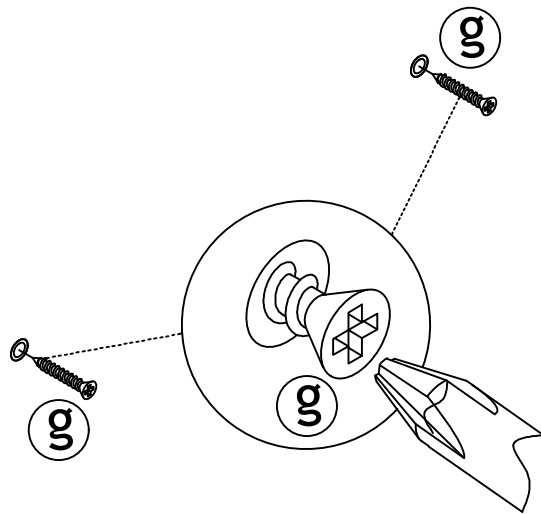
Mark the centre of the left keyhole on the template's horizontal line. This will ensure a correct distance.



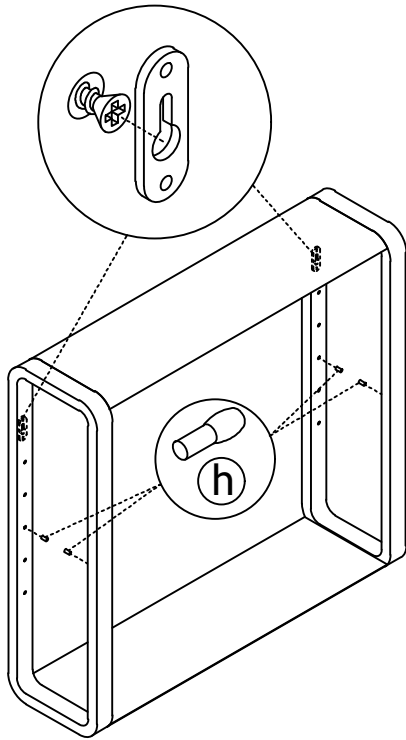
3.



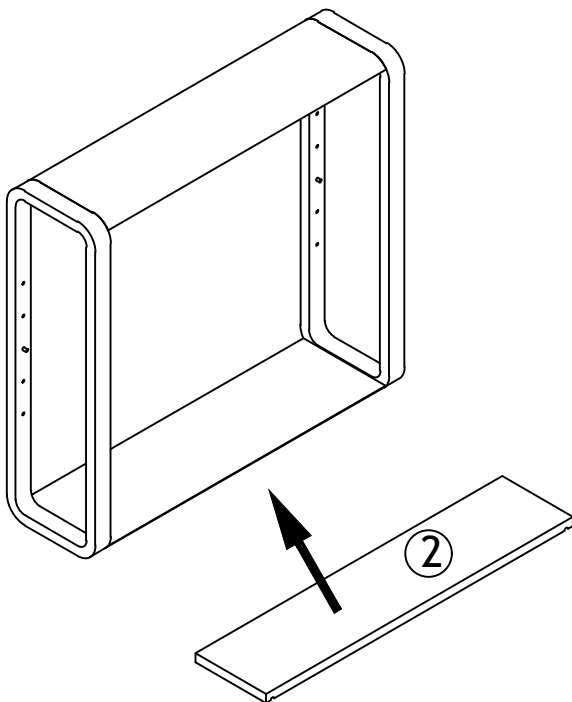
4.



5.



6.



7.



## How To Use

Please read carefully

### FINISH

Your Shelf is made from solid Oak and has a lacquered finish.

### CARE

To clean your Shelf, wipe with a damp cloth followed by a dry cloth.

### IMPORTANT

To ensure maximum performance from this product, we advise that you check and tighten all bolts and screws on a regular basis to avoid damage.

### GUARANTEE

This instruction leaflet forms part of your guarantee, please retain it. The ROPO number along with your invoice number will need to be quoted in

all correspondence with Futon Company.

Thank you for choosing Futon Company.

