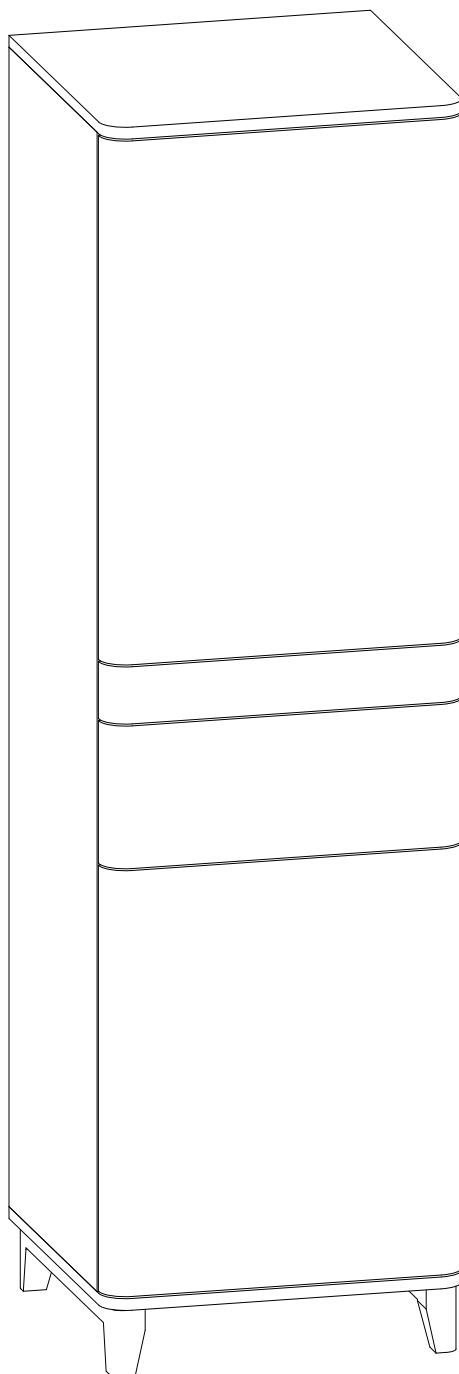


ST KITCH GRACE LDR - PO11857

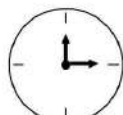


Assembly Instructions - Please keep for future reference.

Important - Please read these instructions fully before starting assembly.



2PERS

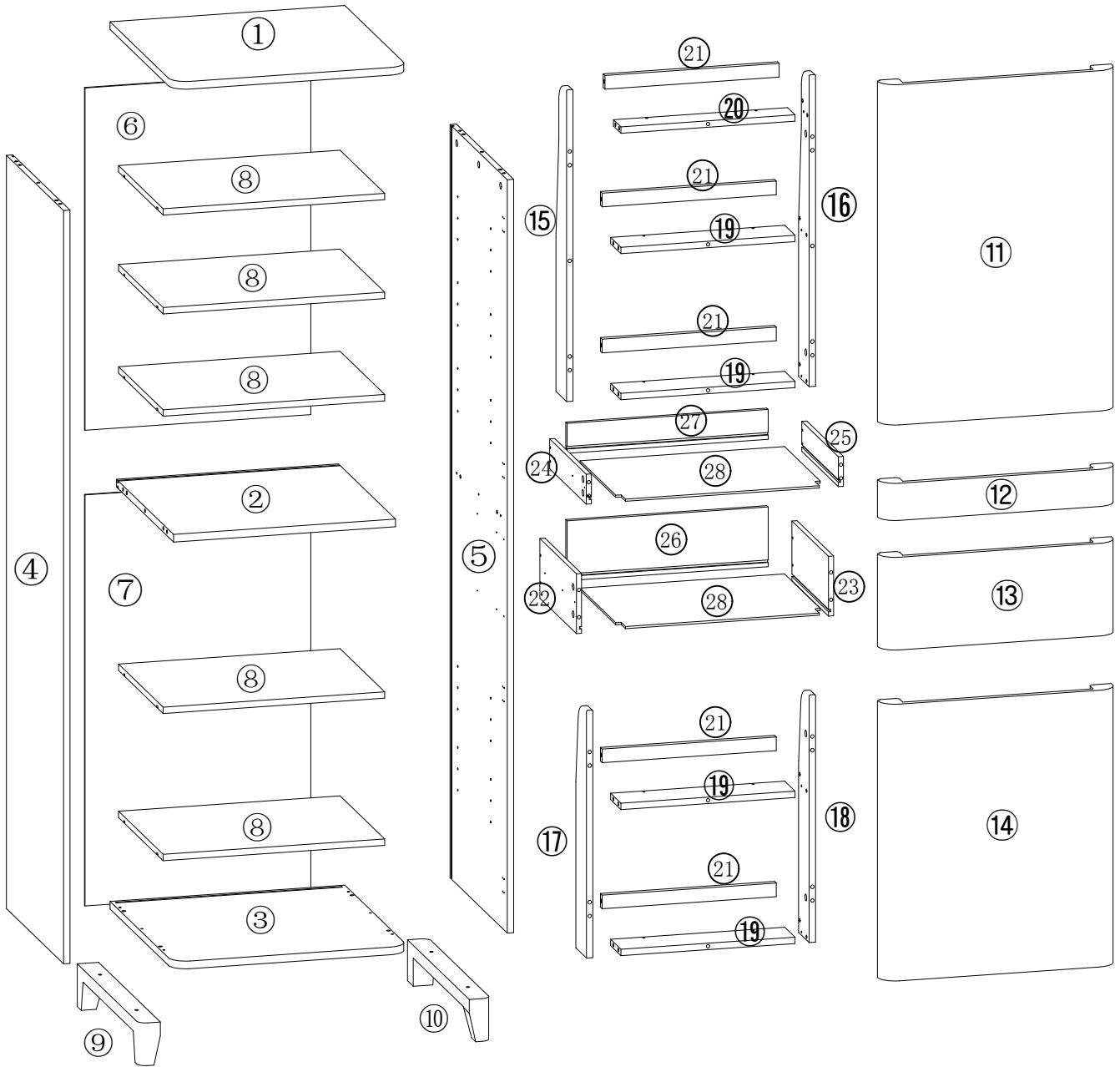


120 MIN

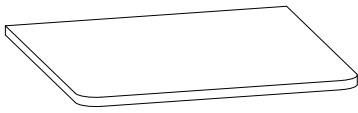


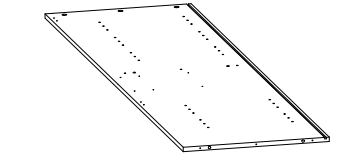
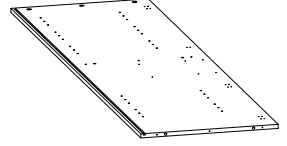
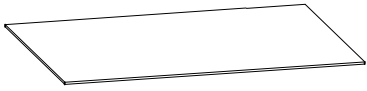
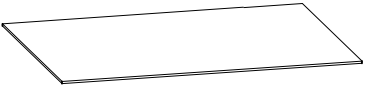

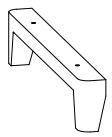
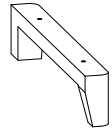
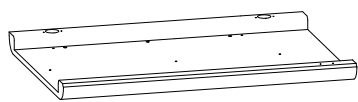


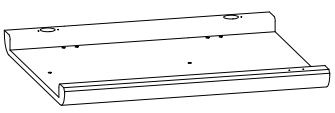
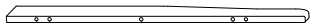

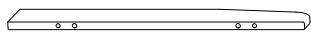
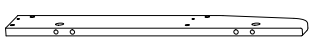
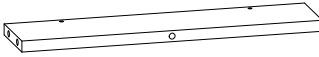
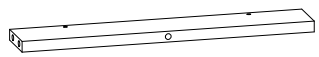

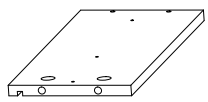
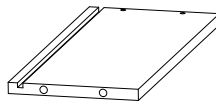
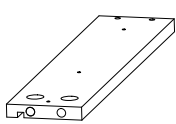
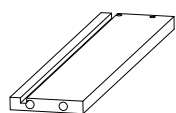



Tool Required Not Provided



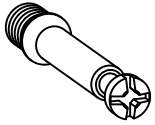








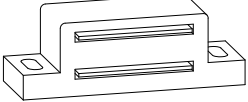



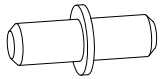
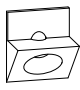

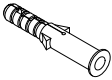


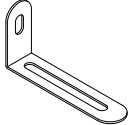
Assembly Instructions



Parts Checklist

			
① x 1pc	② x 1pc	③ x 1pc	④ x 1pc
			
⑤ x 1pc	⑥ x 1pc	⑦ x 1pc	
			
⑧ x 5pcs	⑨ x 1pc	⑩ x 1pc	⑪ x 1pc
			
⑫ x 2pcs	⑬ x 1pc	⑭ x 1pc	⑮ x 1pc
			
⑯ x 1pc	⑰ x 1pc	⑱ x 1pc	⑲ x 4pcs
			
⑳ x 1pc	㉑ x 5pcs	㉒ x 1pc	㉓ x 1pc
			
㉔ x 1pc	㉕ x 1pc	㉖ x 1pc	㉗ x 1pc
			
㉘ x 2pcs			

Fittings Checklist

 M6x35mm	 Φ15x9mm	 Φ8x30mm	 M3x12mm
A x 43pcs	B x 43pcs	C x 42pcs	D x 16pcs
	 M4x30mm		 M4x14mm
E x 4pcs	F x 18pcs	G x 4pcs	H x 24pcs
 M3x16mm			 M4x50mm
I x 16pcs	J x 2pc	K x 1pc	L x 6pcs
 M6x35mm			
M x 4pcs	N x 20pcs	O x 8pcs	P x 2pcs
	 M4x35mm	 M4x16mm	
Q x 2pcs	R x 2pcs	S x 2pcs	T x 2pcs

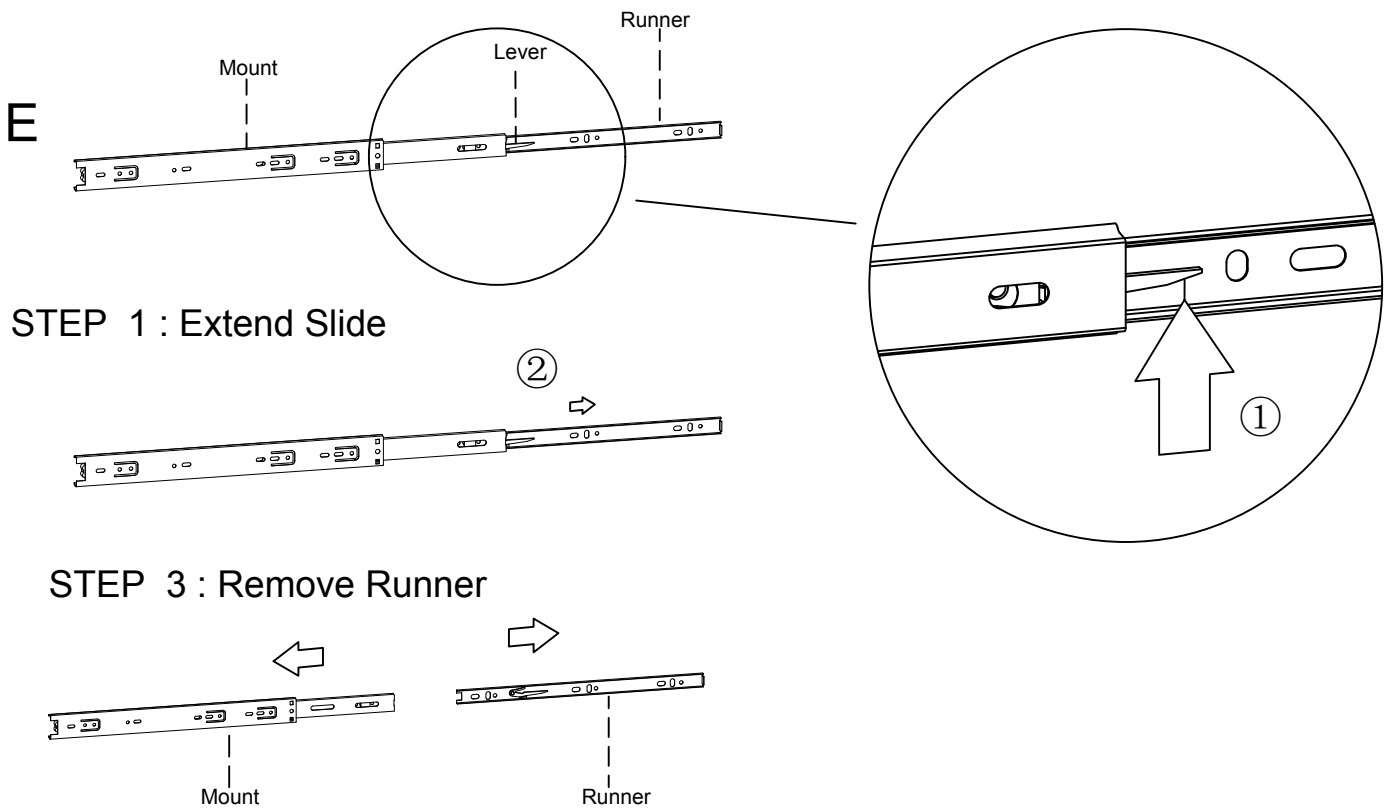
Please check and count every component carefully before you begin.

Note: The quantities listed are correct, but in some cases more fittings may be supplied than required.

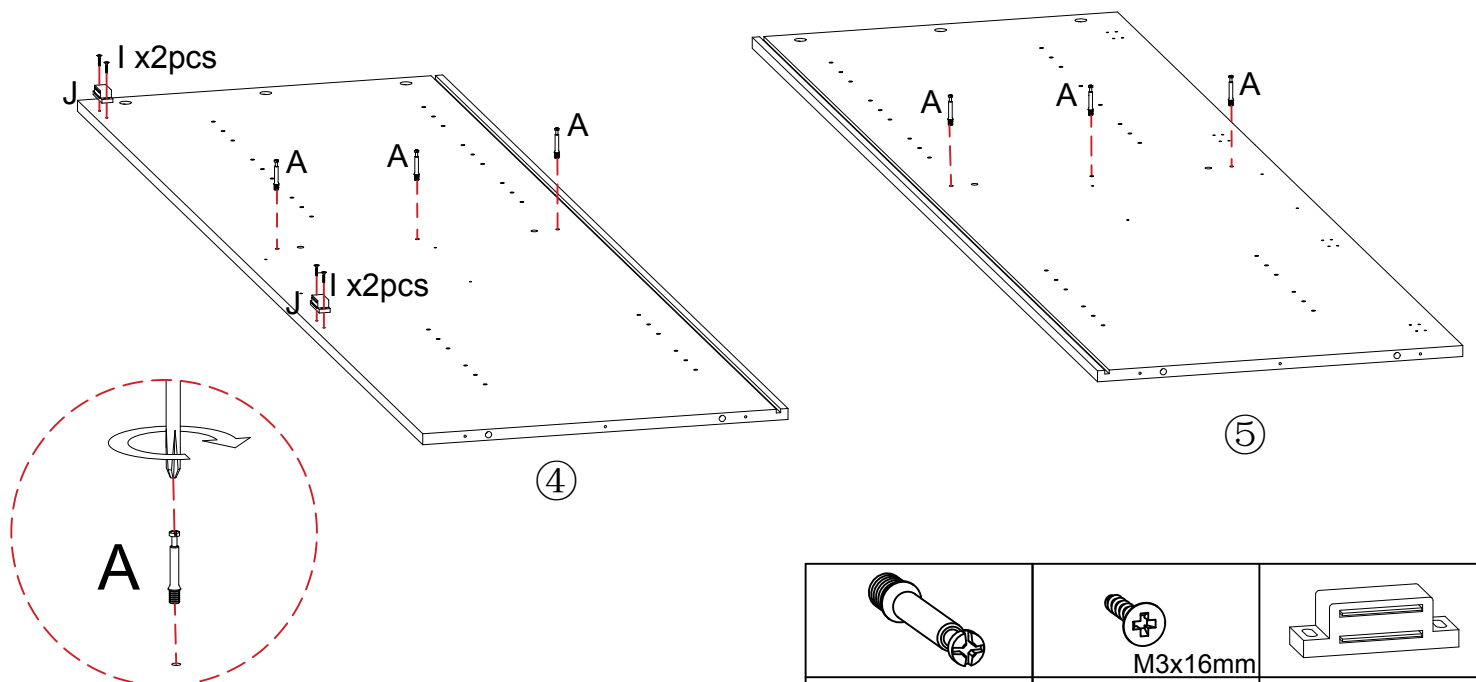
Assembly Instructions



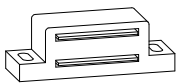
STEP 1

·Slides Must Be Separated Before Assembly.
After Separated, Set Aside Until Needed for Assembly.



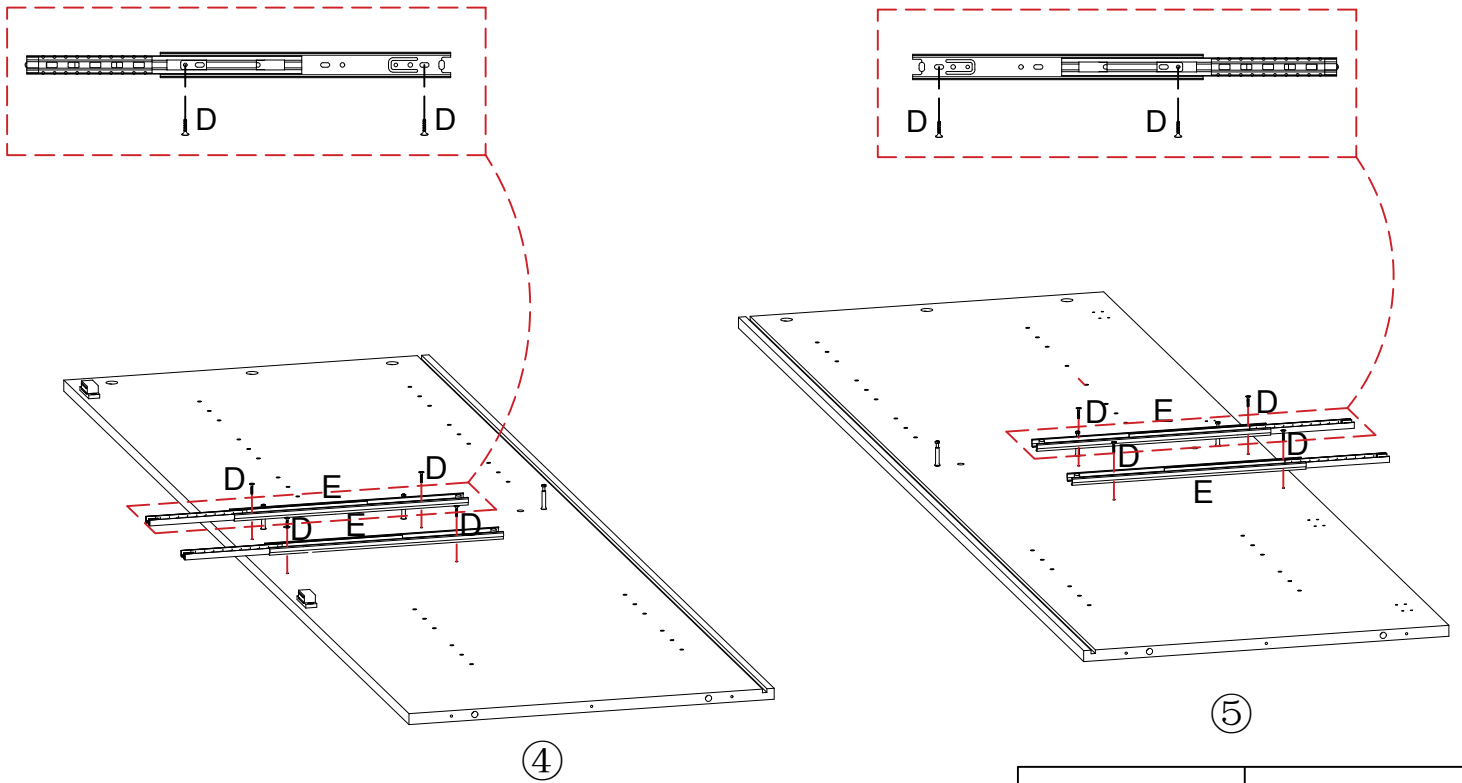
STEP 2





	 M3x16mm	
A x 6pcs	I x 4pcs	J x 2pcs

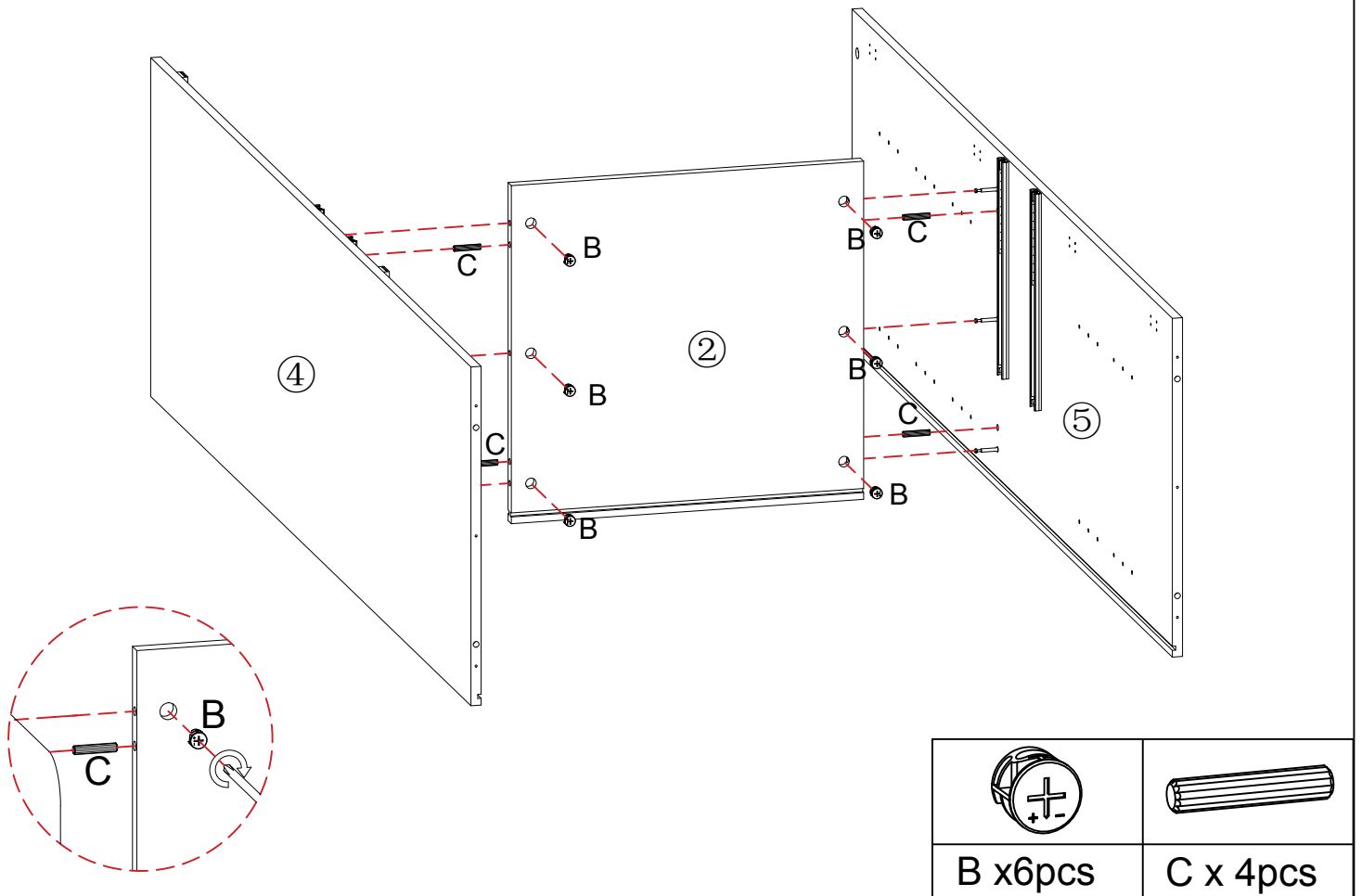
Assembly Instructions



STEP 3



 M3x12mm	 Mount
D x8pcs	E x 4pcs

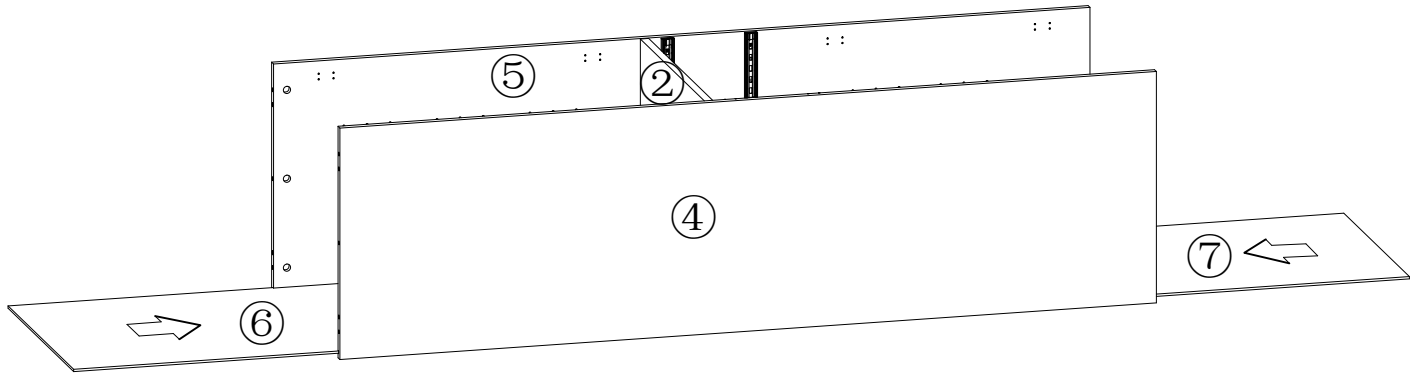
STEP 4



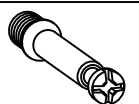
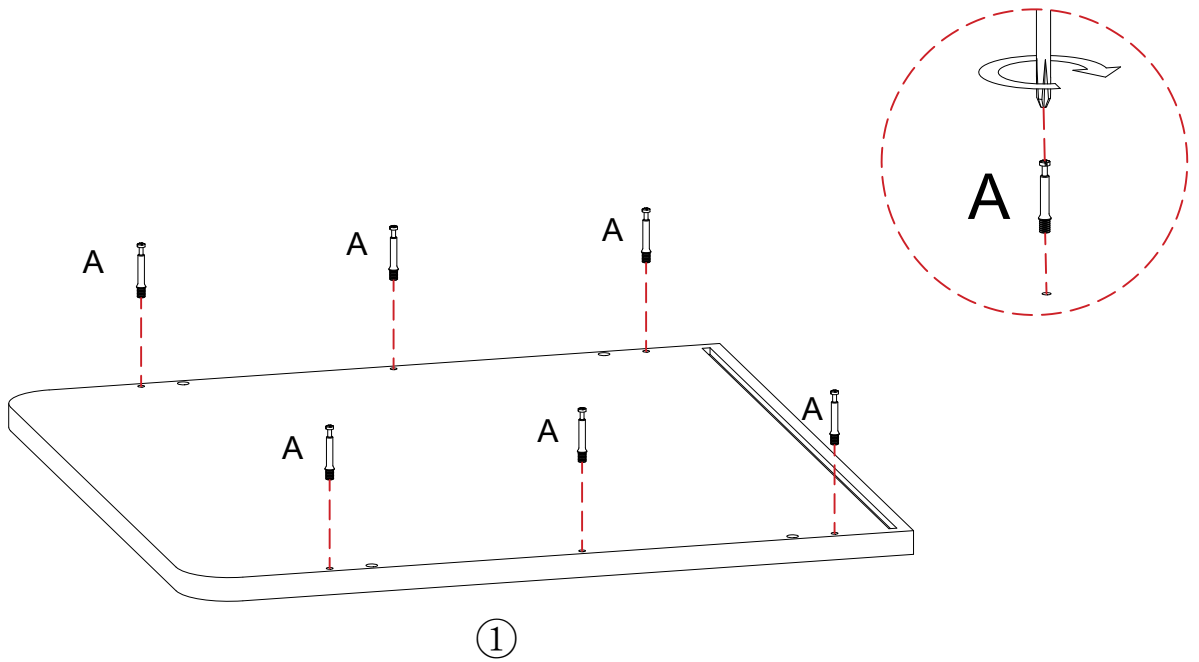
 B x6pcs	 C x 4pcs
--	---

Assembly Instructions

STEP 5



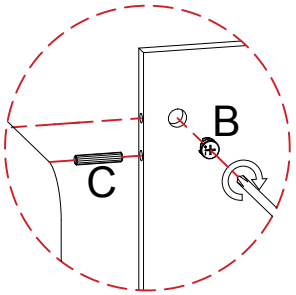
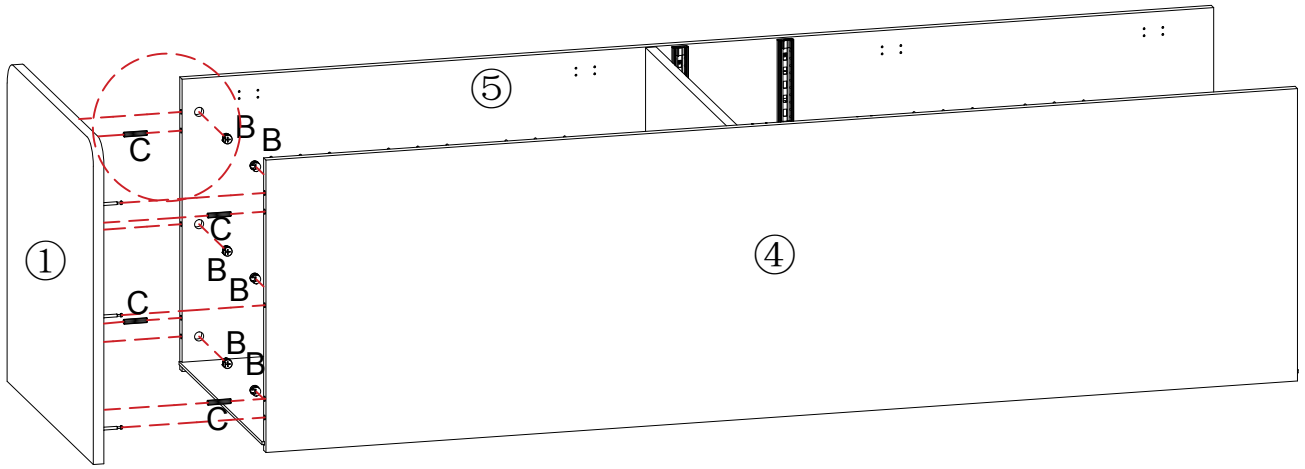
STEP 6





A x6pcs

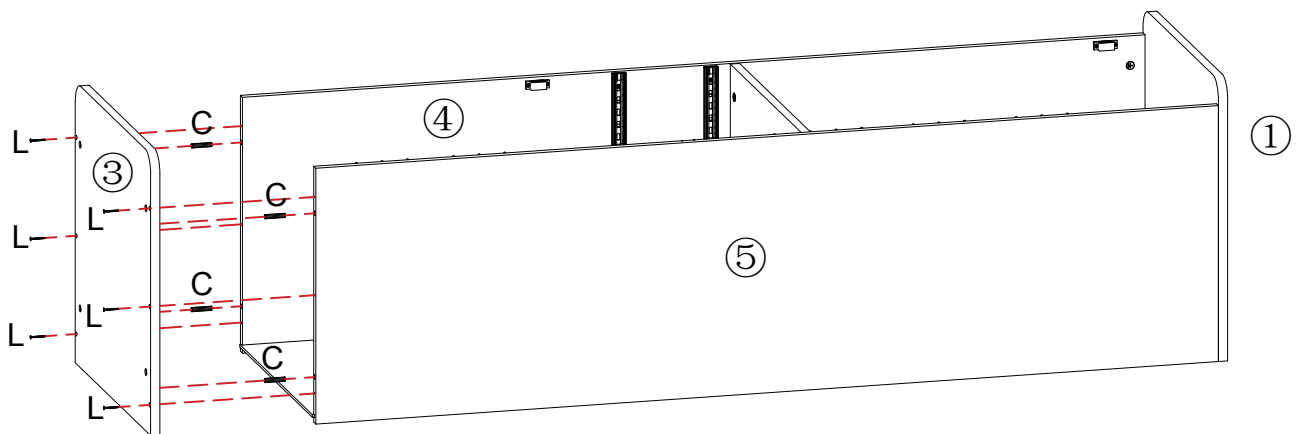
Assembly Instructions


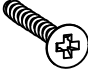
STEP 7



	
B x 6pcs	C x 4pcs

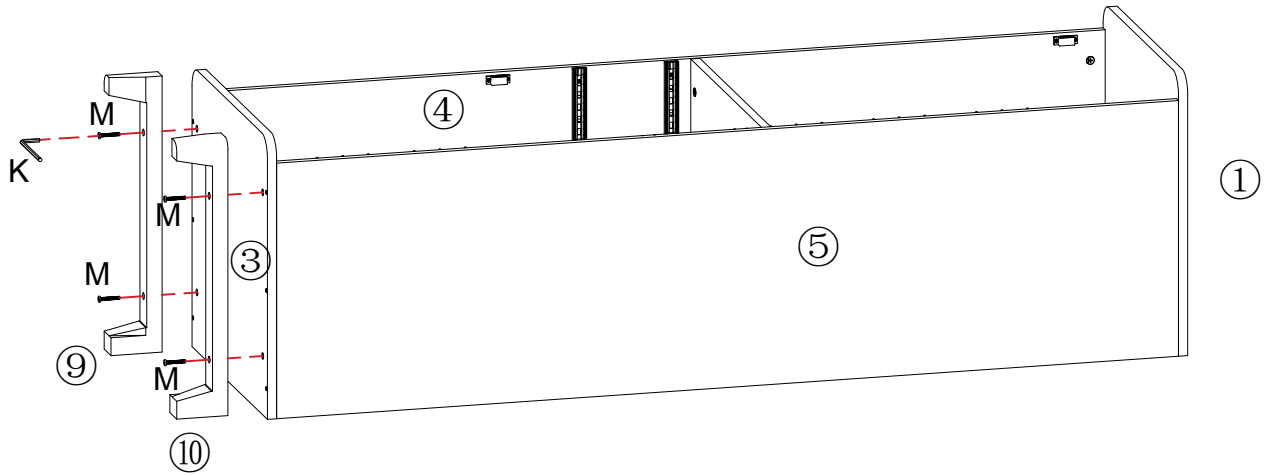
STEP 8





	
C x 4pcs	M4x50mm
	L x 6pcs

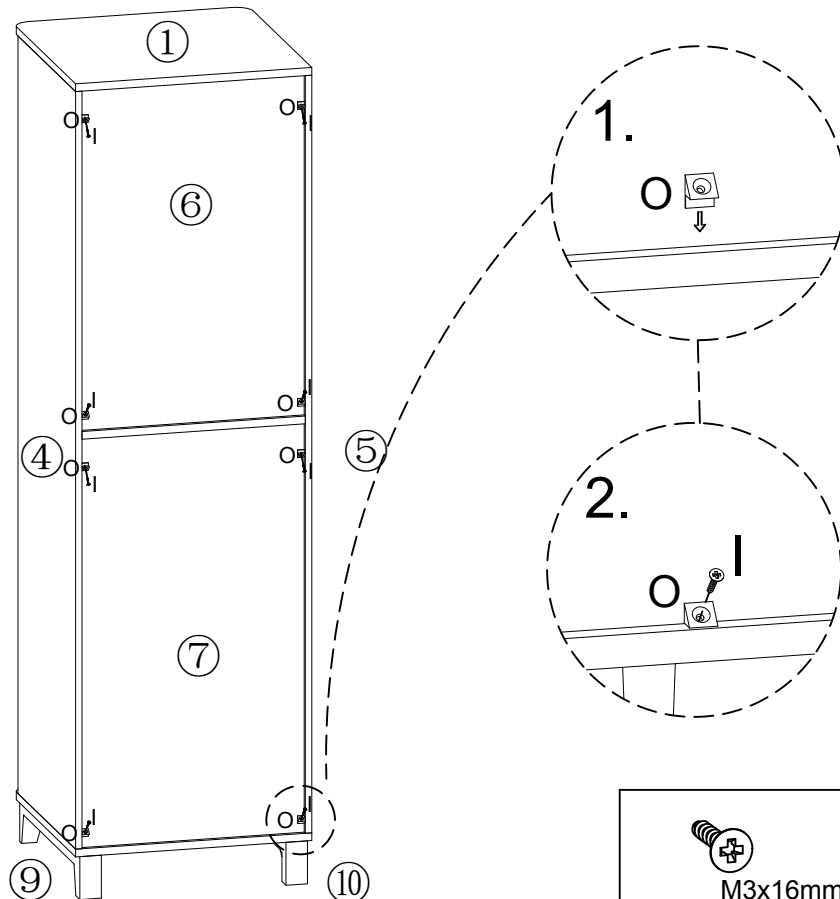
Assembly Instructions


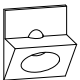
STEP 9



	
M6x35mm	
M x 4pcs	K x 1pc

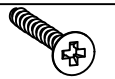
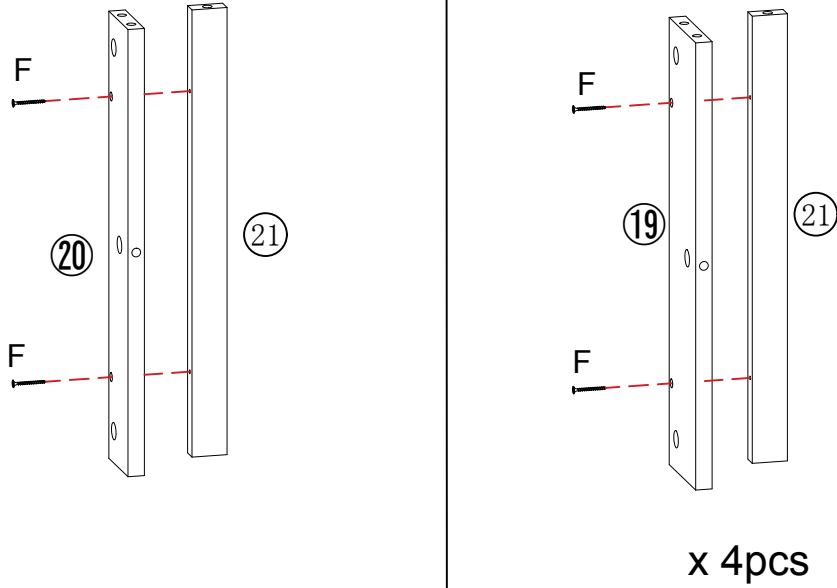
STEP 10



	
M3x16mm	
I x 8pcs	O x 8pcs

Assembly Instructions

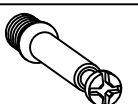
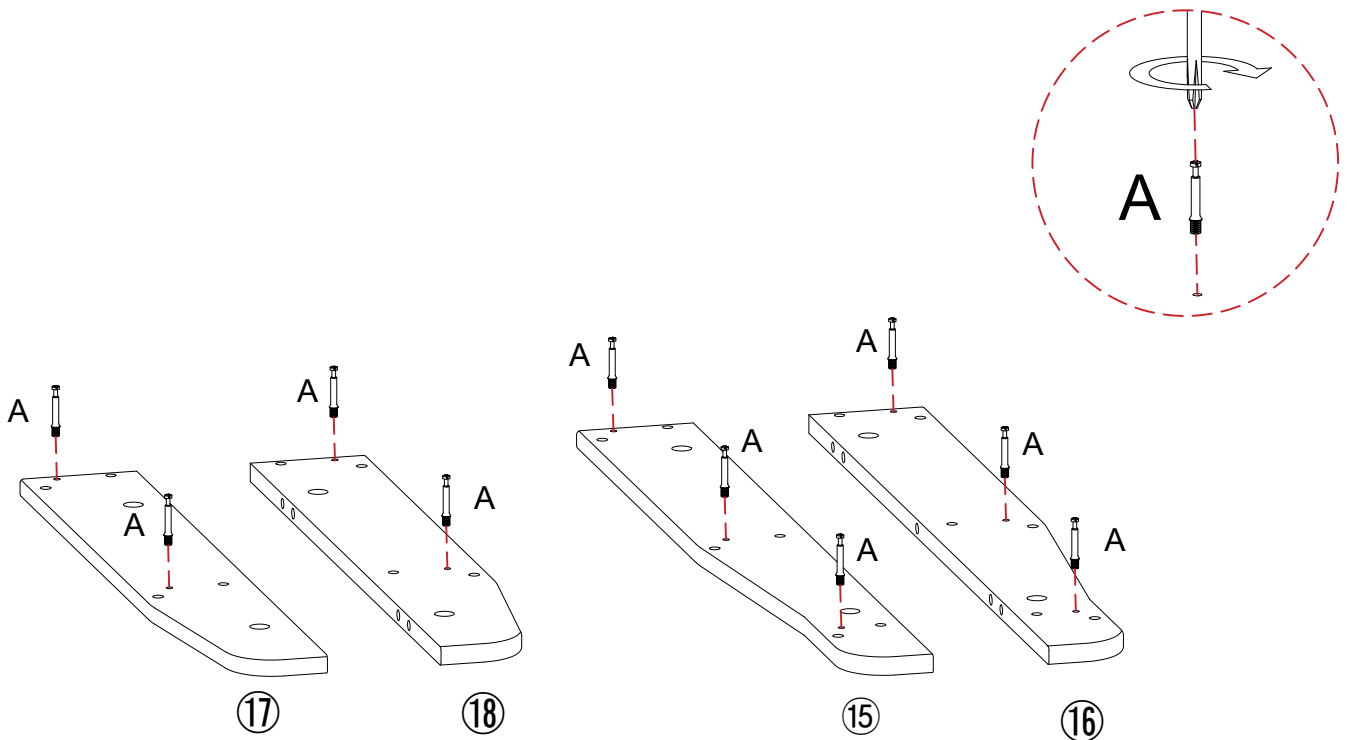
STEP 11



M4x30mm

F x 10pcs

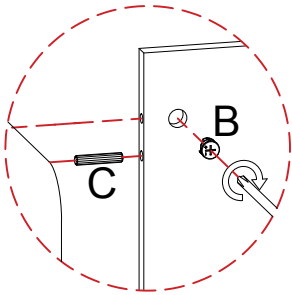
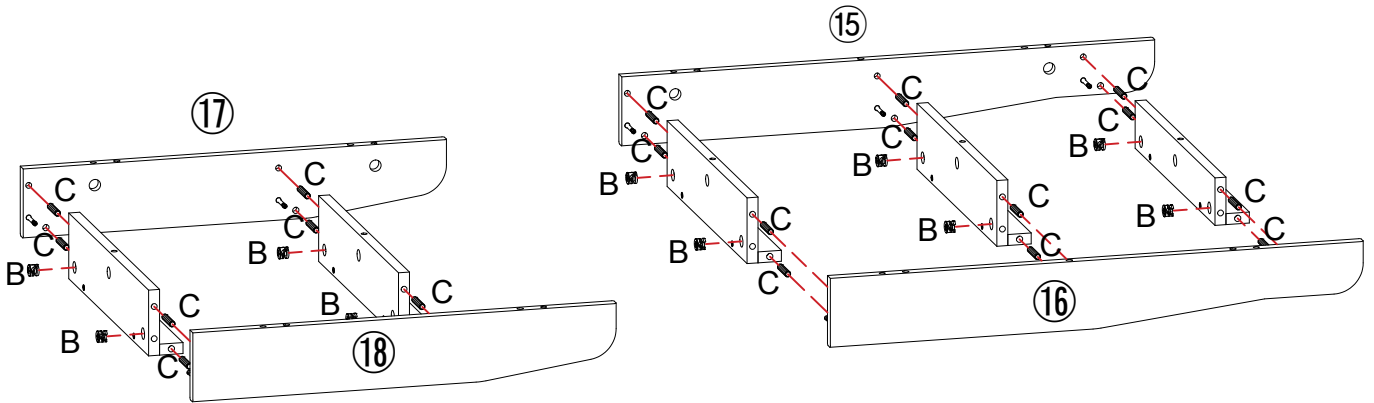
STEP 12





A x 10pcs

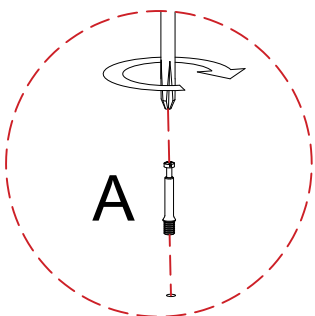
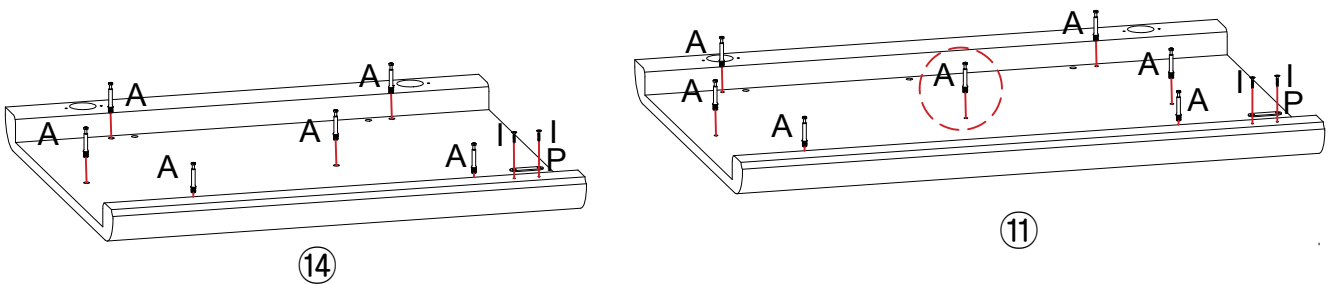
Assembly Instructions




STEP 13



	
B x 10pcs	C x 20pcs

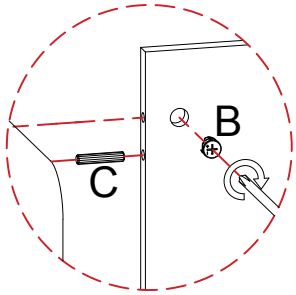
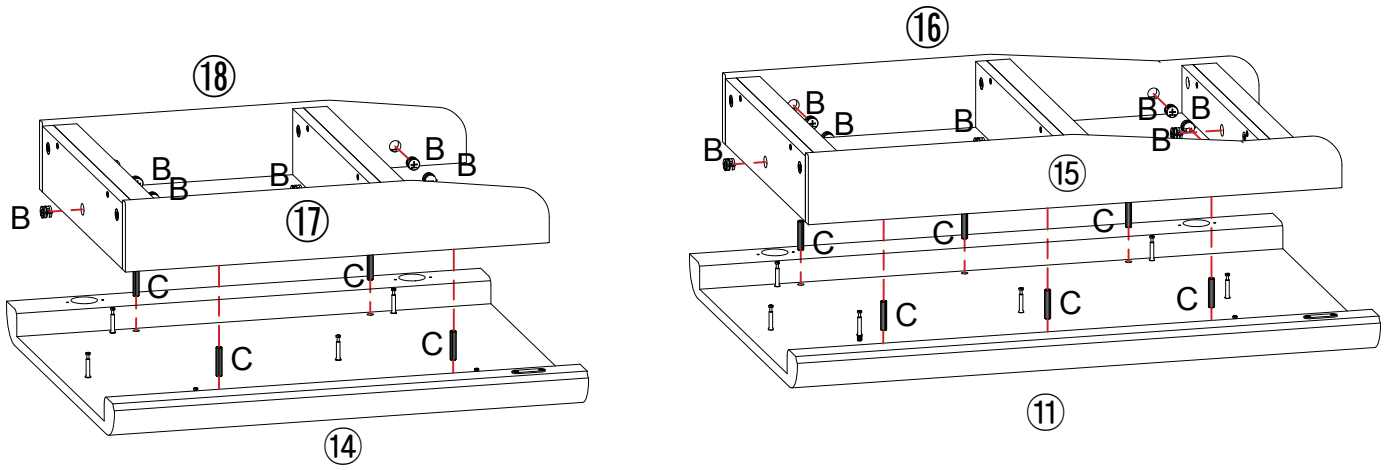
STEP 14





		
A x 13pcs	I x 4pcs M3x16mm	P x 2pcs

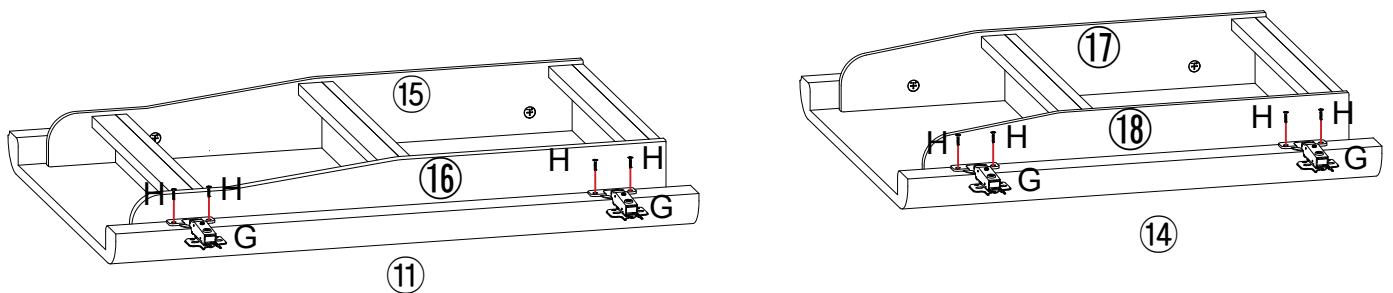
Assembly Instructions



STEP 15



	
B x 13pcs	C x 10pcs

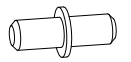
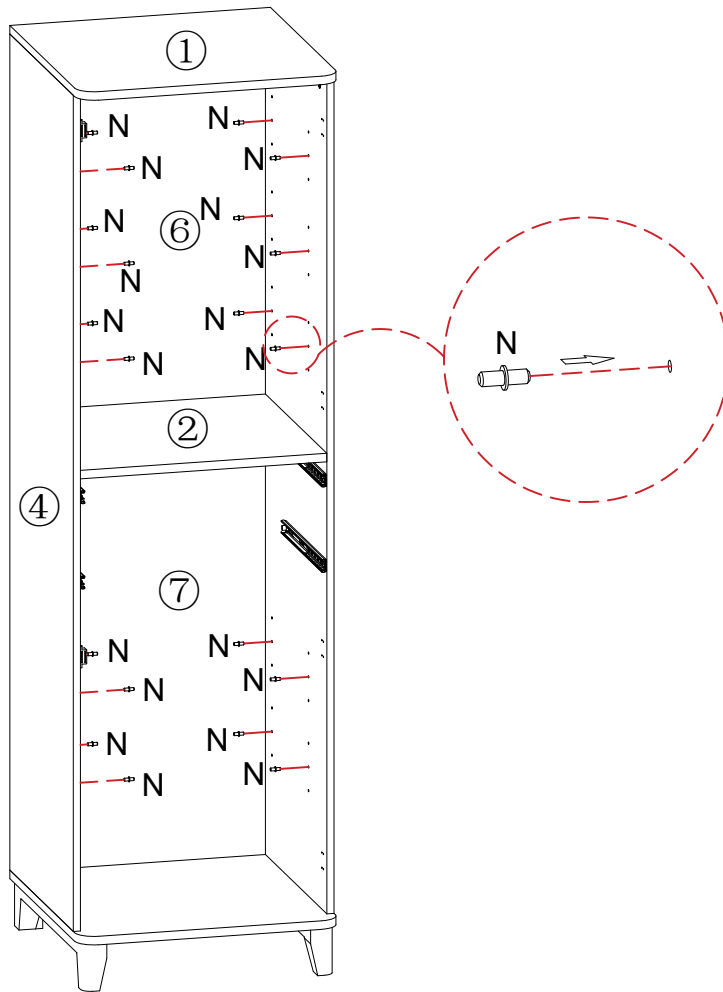
STEP 16



	
G x 4pcs	H x 8pcs

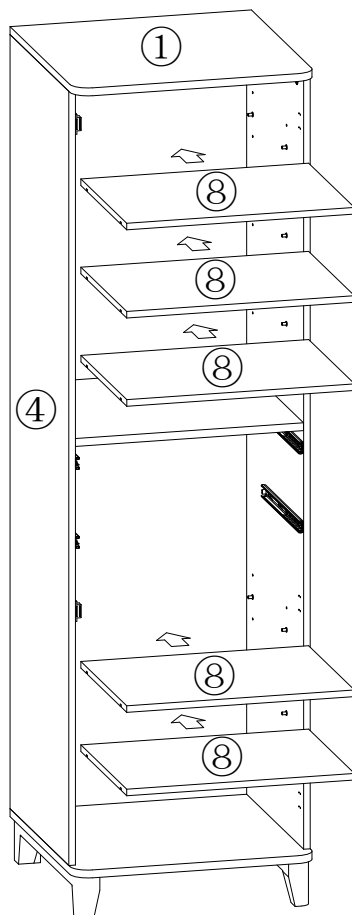
Assembly Instructions

STEP 17



N x 20pcs

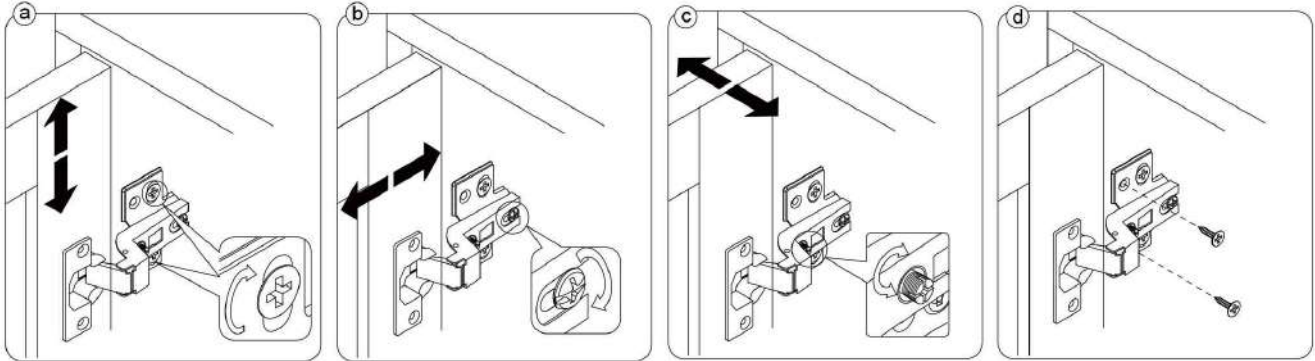
STEP 18



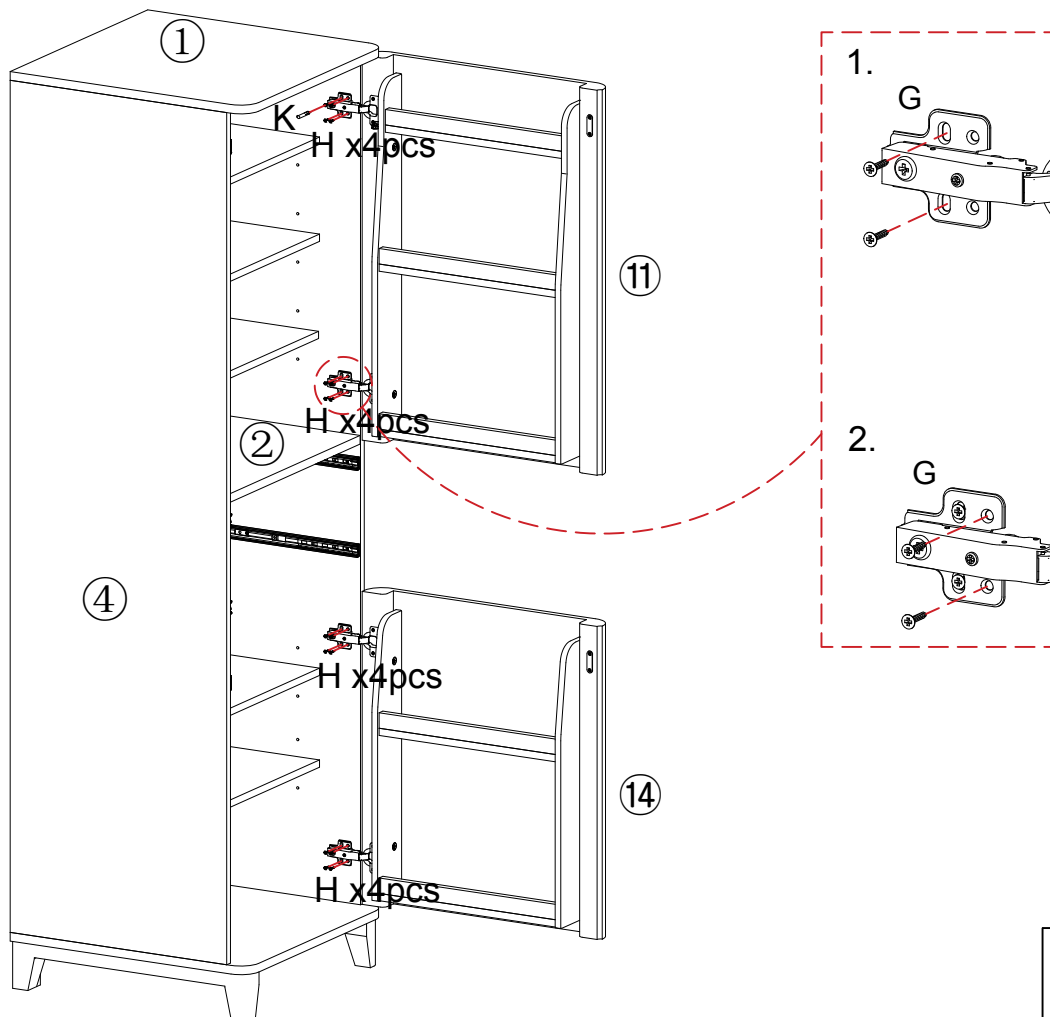
Assembly Instructions

STEP 19

When the hinges are installed, you can adjust the door by following the instructions below.



1. To adjust the doors up and down, please refer to step (a)
2. To adjust the distance between the doors and side panels, please refer to step (b)
3. To adjust the gap between two doors, please refer to step (c)
4. After the adjustment is finished, please tighten the screws. Refer to step (d)



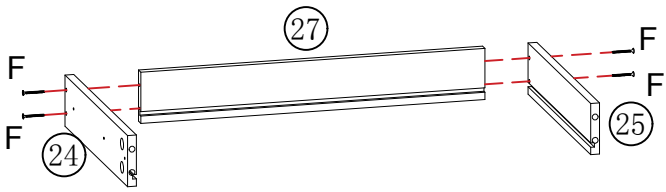
M4x14mm

H x 16pcs

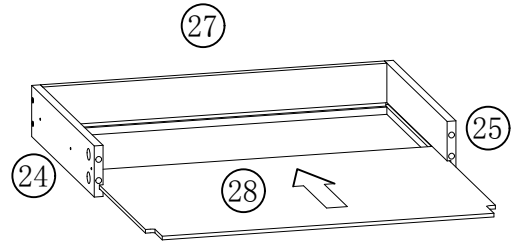
Assembly Instructions

STEP 20

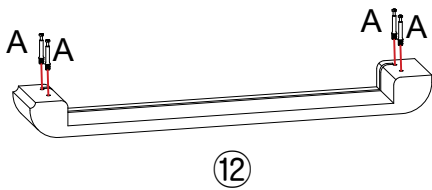
1.



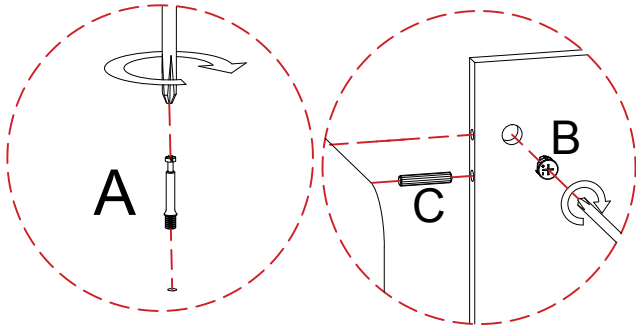
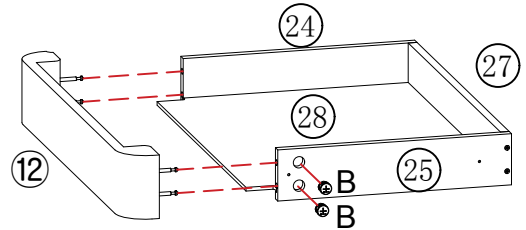
2.

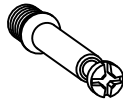




3.



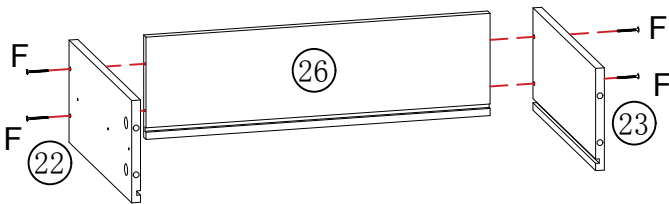
4.



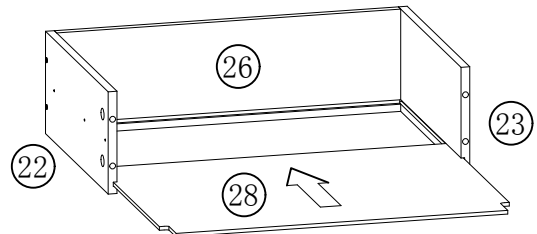
		 M4x30mm
A x 4pcs	B x4pcs	F x 4pcs

STEP 21

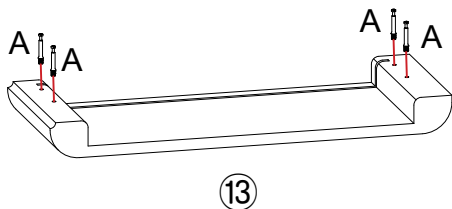
1.



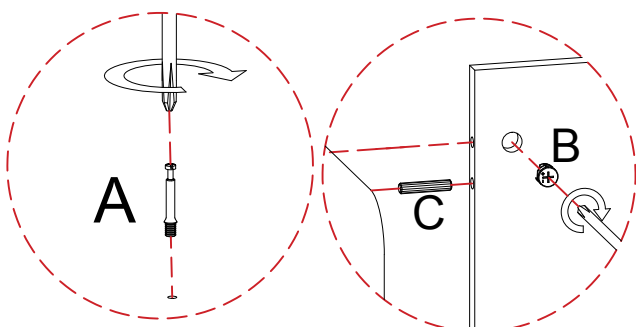
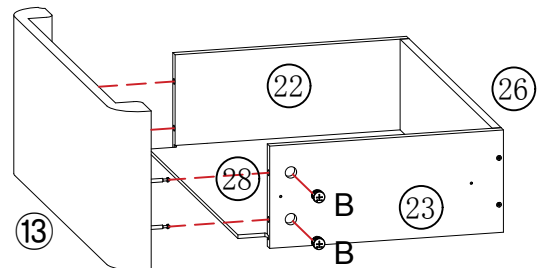
2.

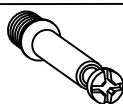

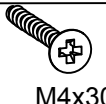


3.



4.

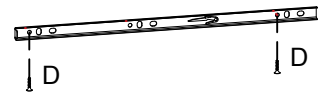


		 M4x30mm
A x 4pcs	B x4pcs	F x 4pcs

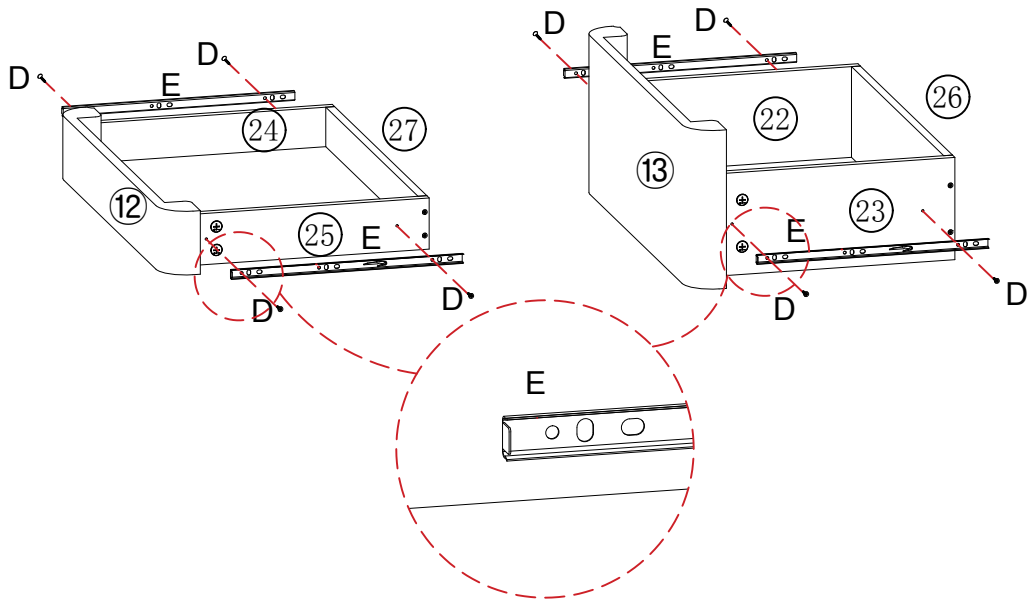
Assembly Instructions

STEP 22

orientation



Runner



M3x12mm

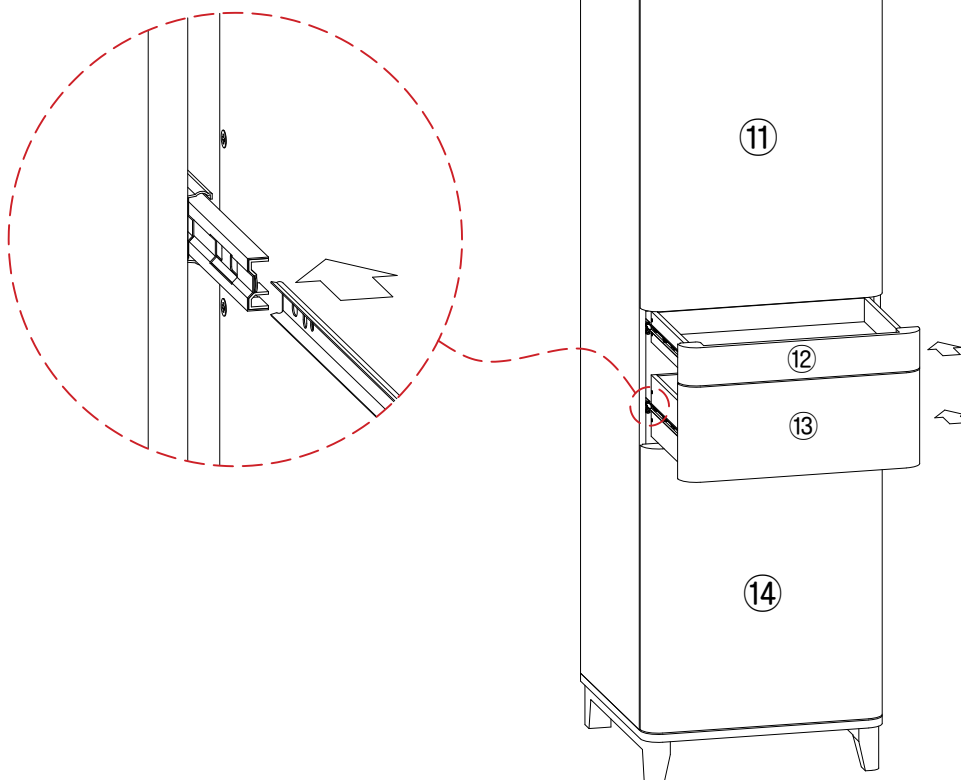


Runner

D x 8pcs

E x 4pcs

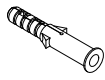


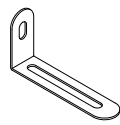
STEP 23

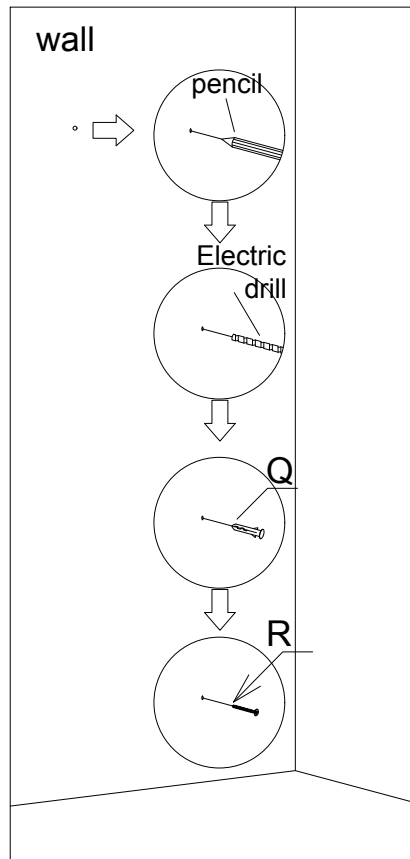
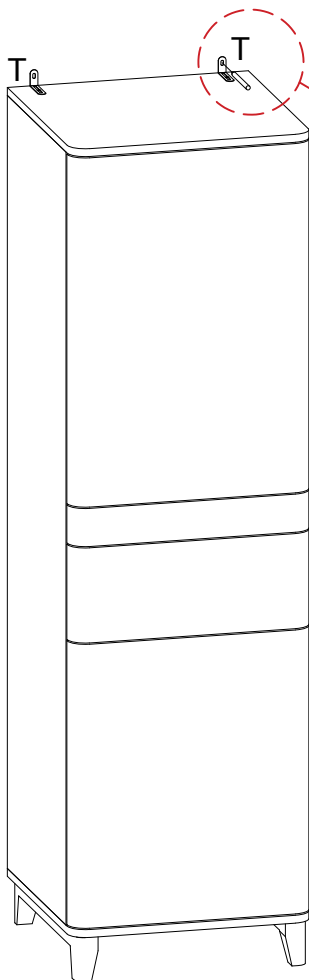
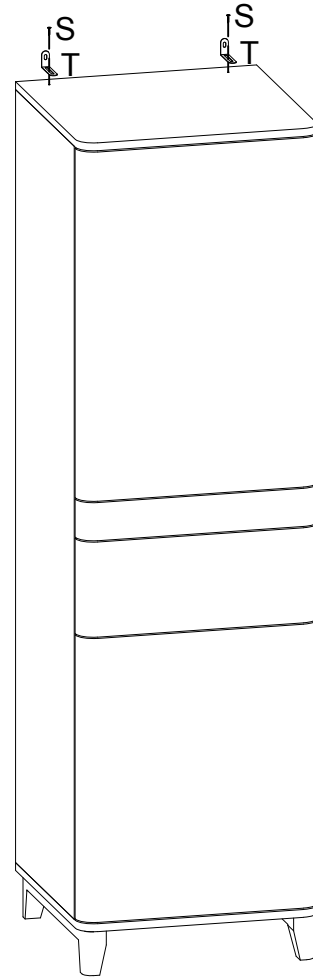


Assembly Instructions

STEP 24

Instructions to secure your Larder.

	 M4x35mm
Q x 2pcs	R x 2pcs
 M4x16mm	
S x 2pcs	T x 2pcs



IMPORTANT! We recommend this unit is fixed to the wall for stability and security.

1. Move the unit into place. Follow diagram steps to fix unit to wall.
2. The fittings R & Q included may not be correct for your wall type. Contact your local specialised hardware store for advice on suitable fixing.