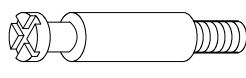

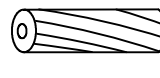
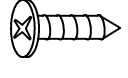
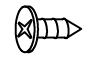


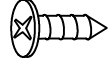
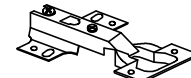
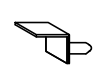


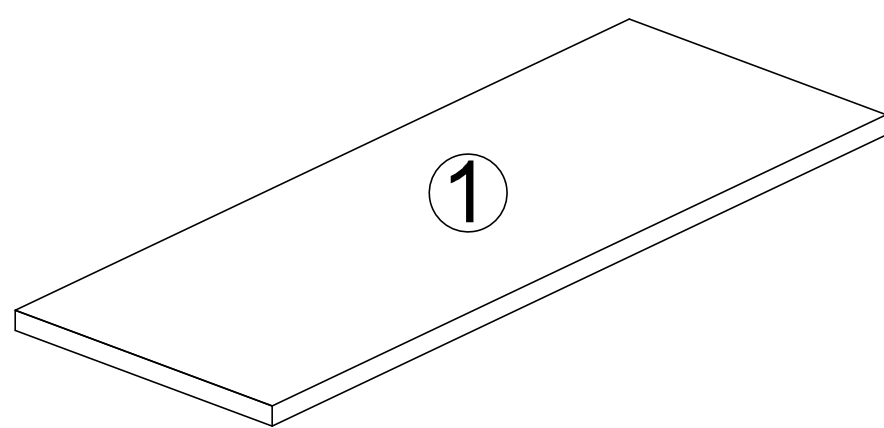
# ASSEMBLY INSTRUCTIONS

## Tokyo Slim Cabinet

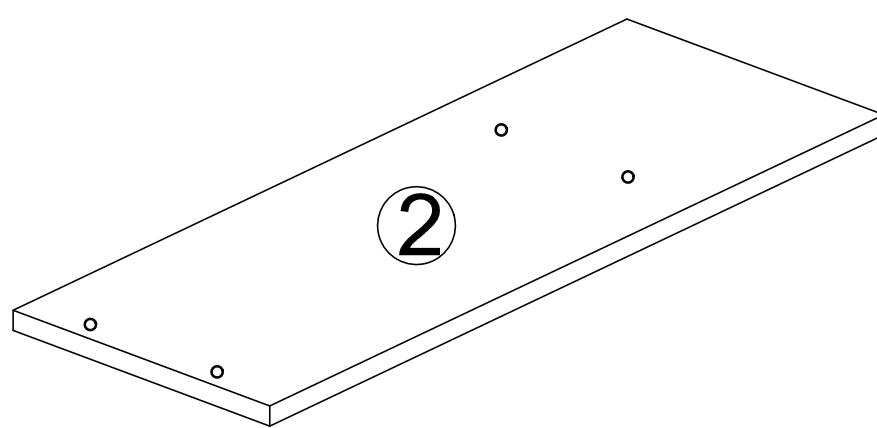


ST CAB TOKYO

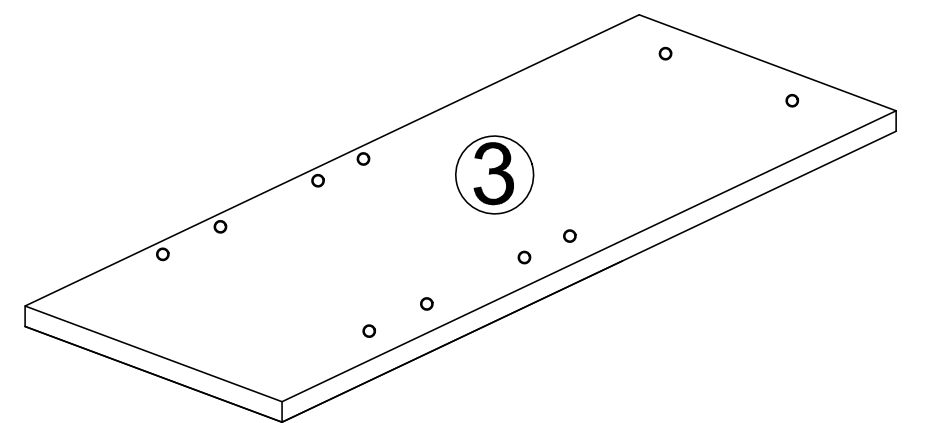
A	B	C	D	E	F	G	H	I	J
									
20 PIECES	20 PIECES	8 PIECES	10 PIECES	12 PIECES	2 PIECES	2 PIECES	16 PIECES	2 PIECES	4 PIECES



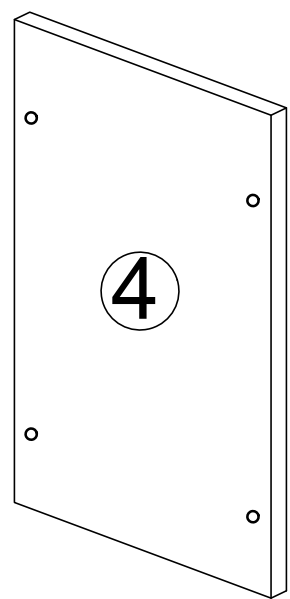
X1



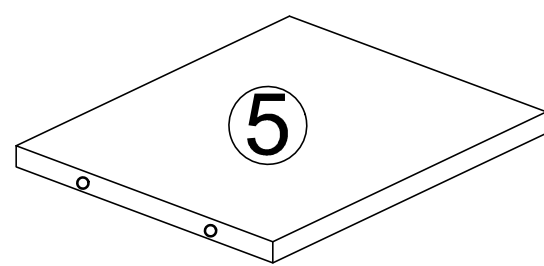
X1



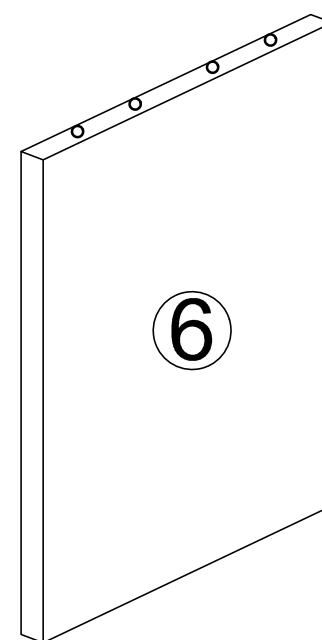
X1



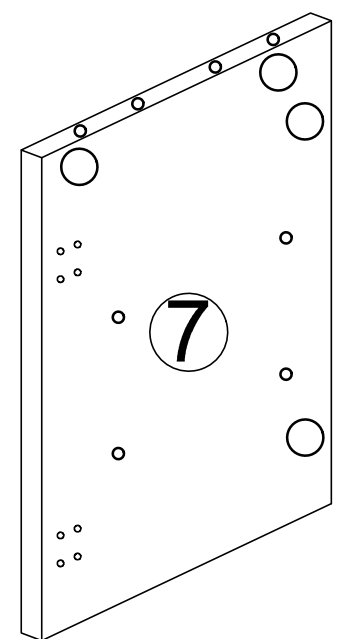
X1



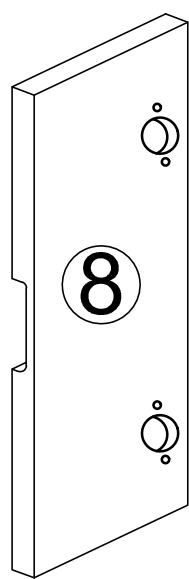
X1



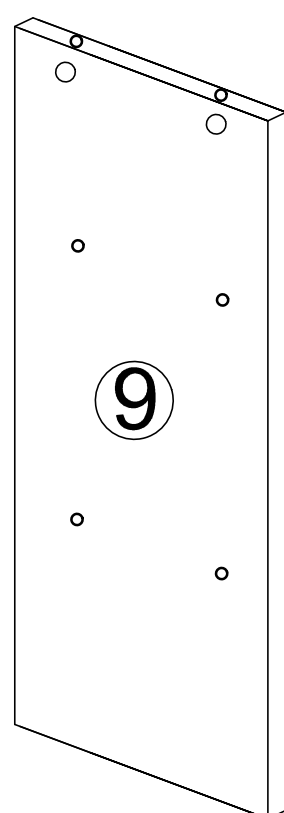
X1



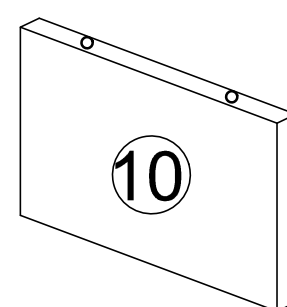
X1



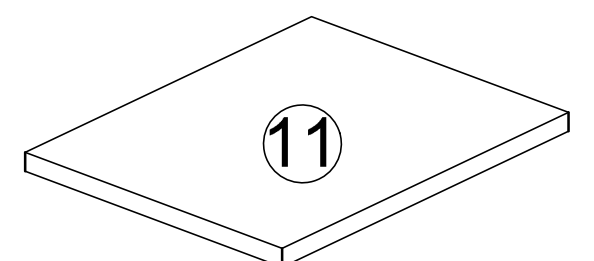
X1



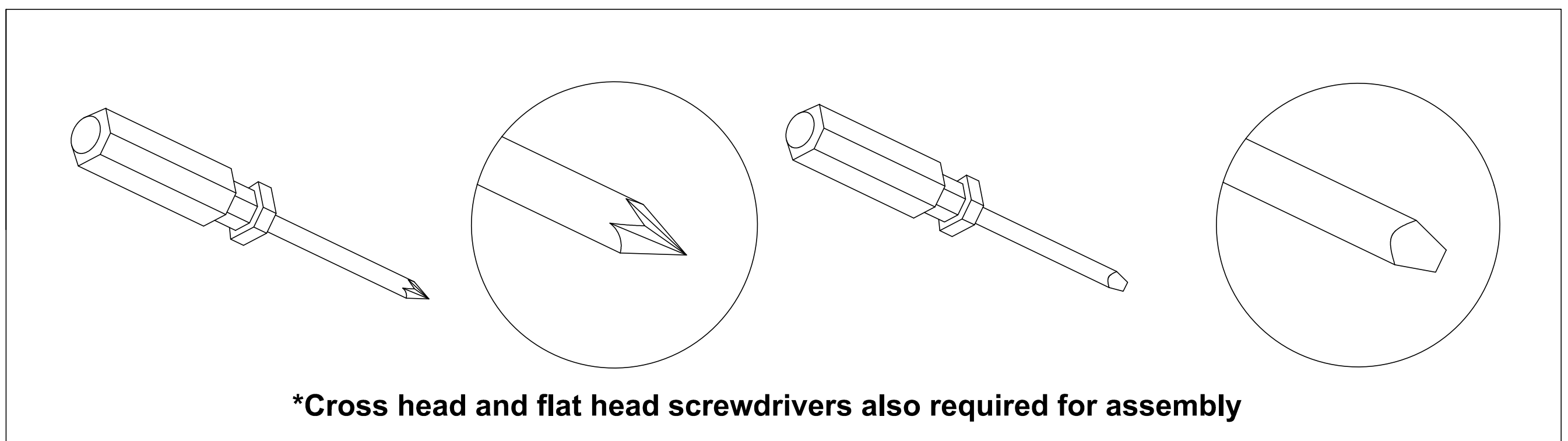
X1



X2

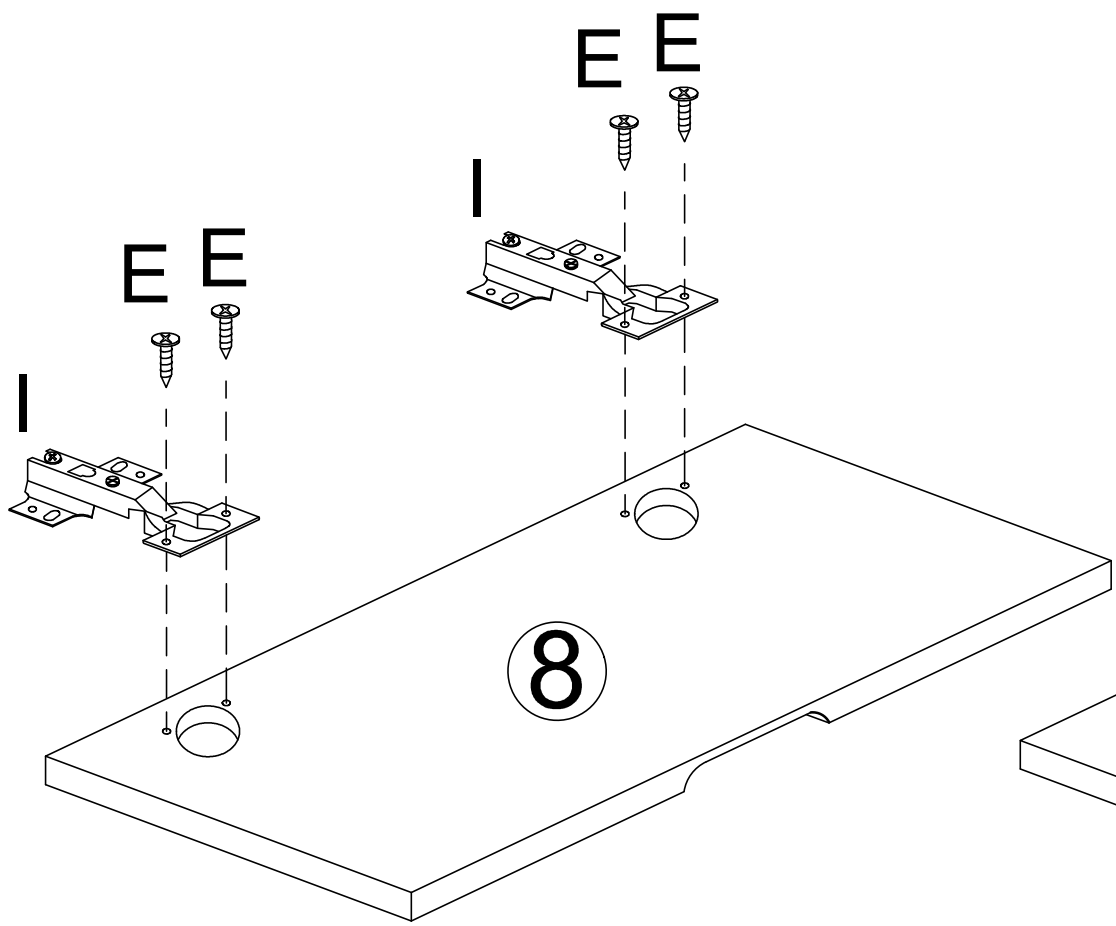


X1

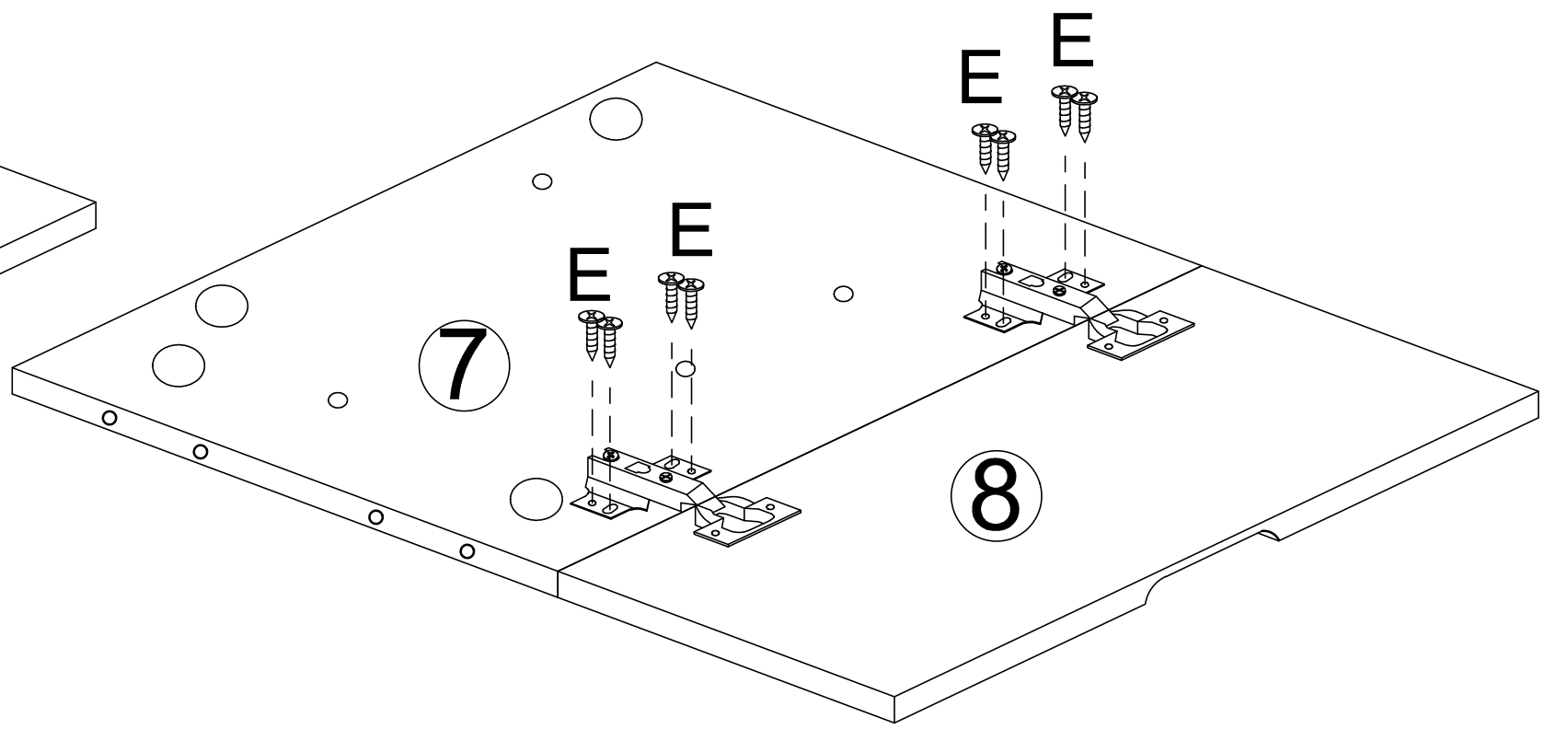


\*Cross head and flat head screwdrivers also required for assembly

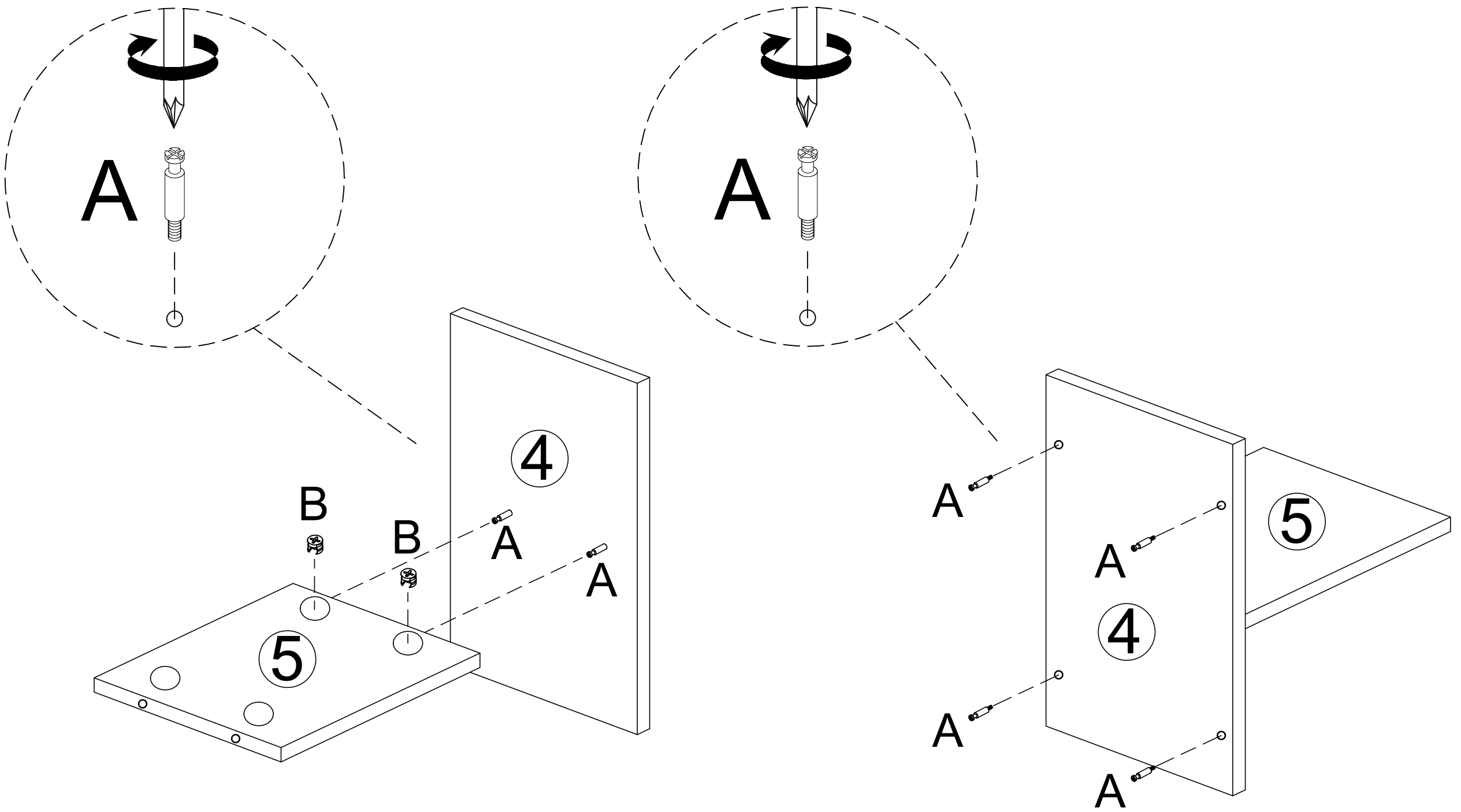
1.



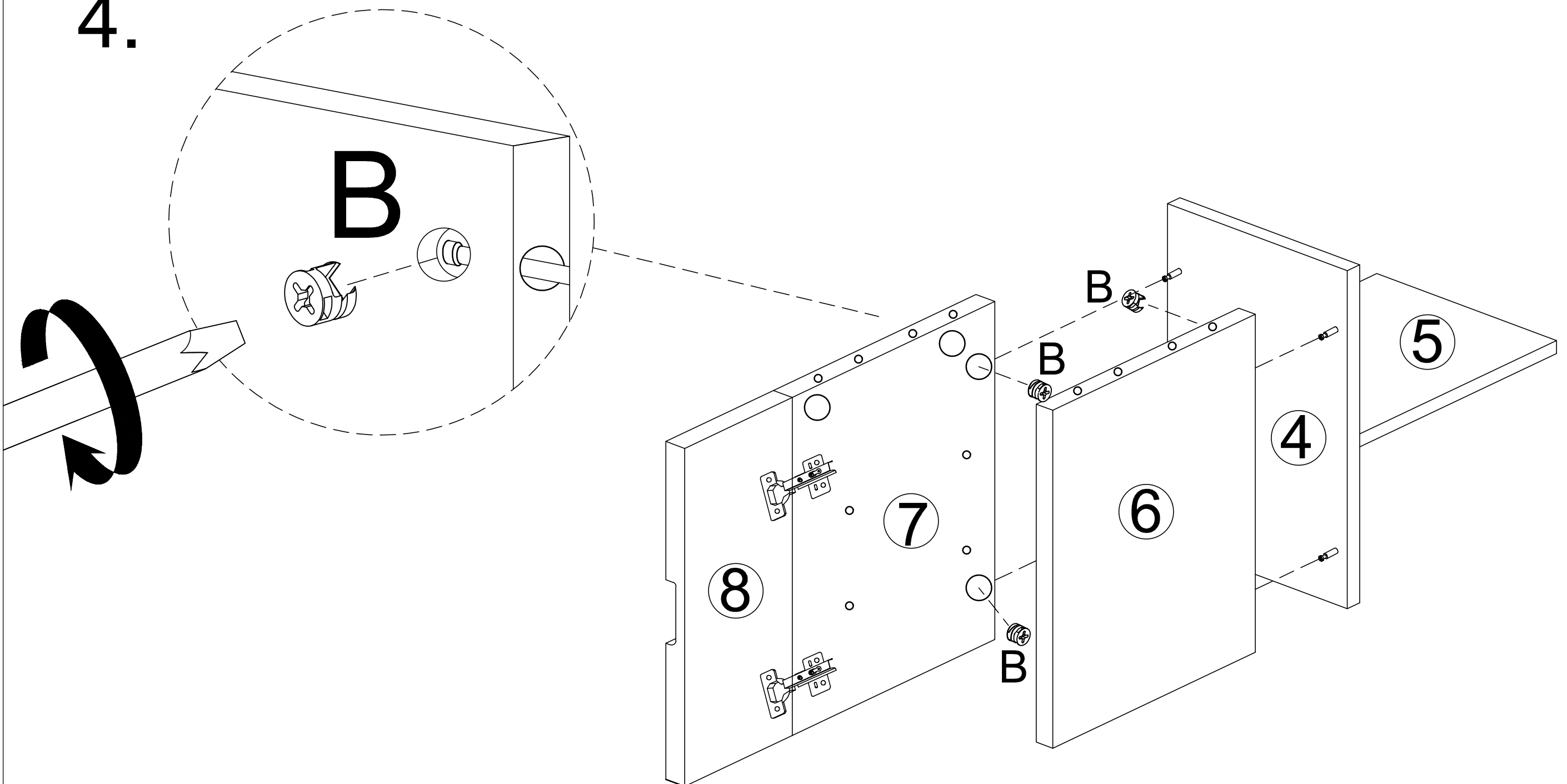
2.



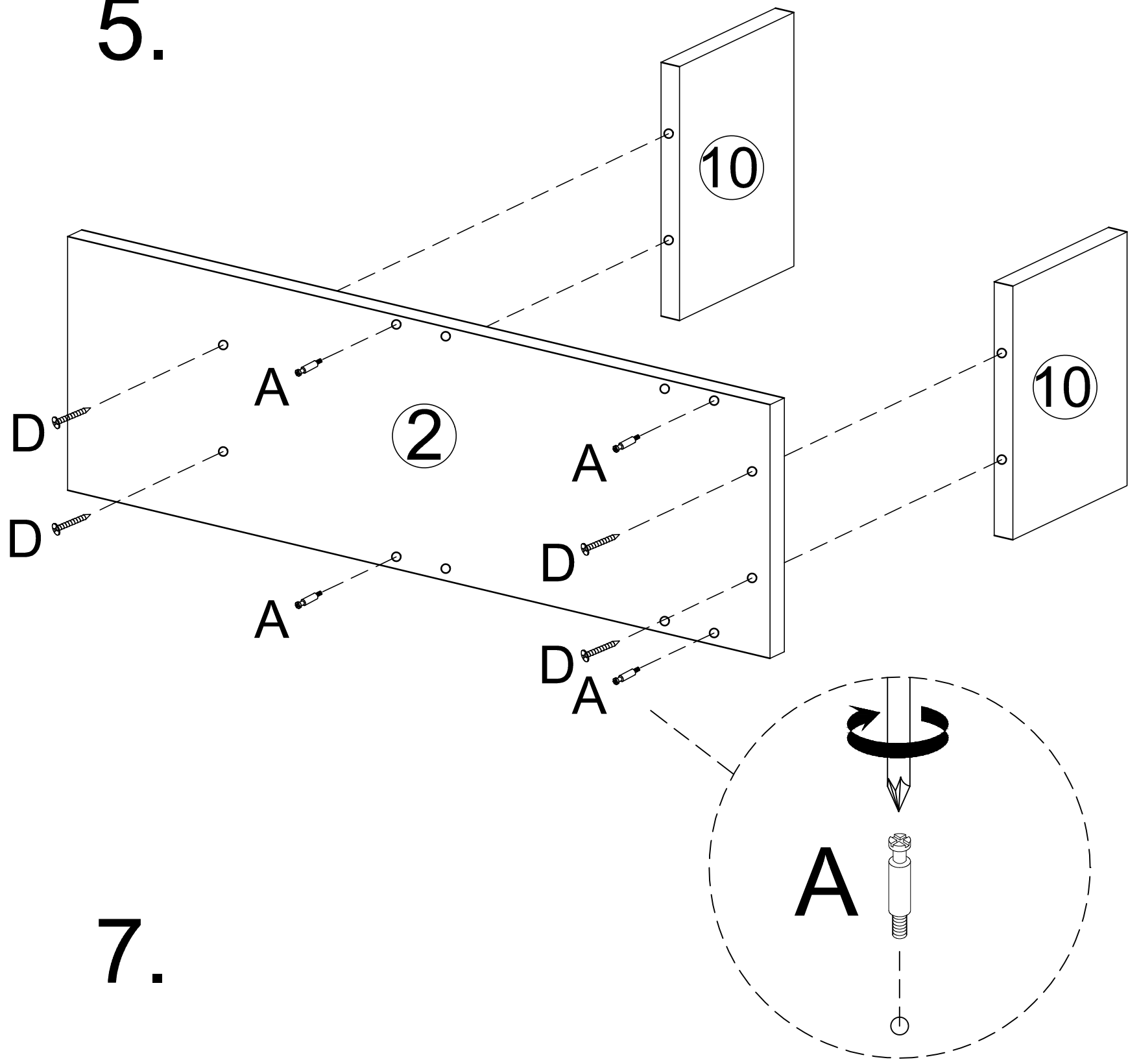
3.



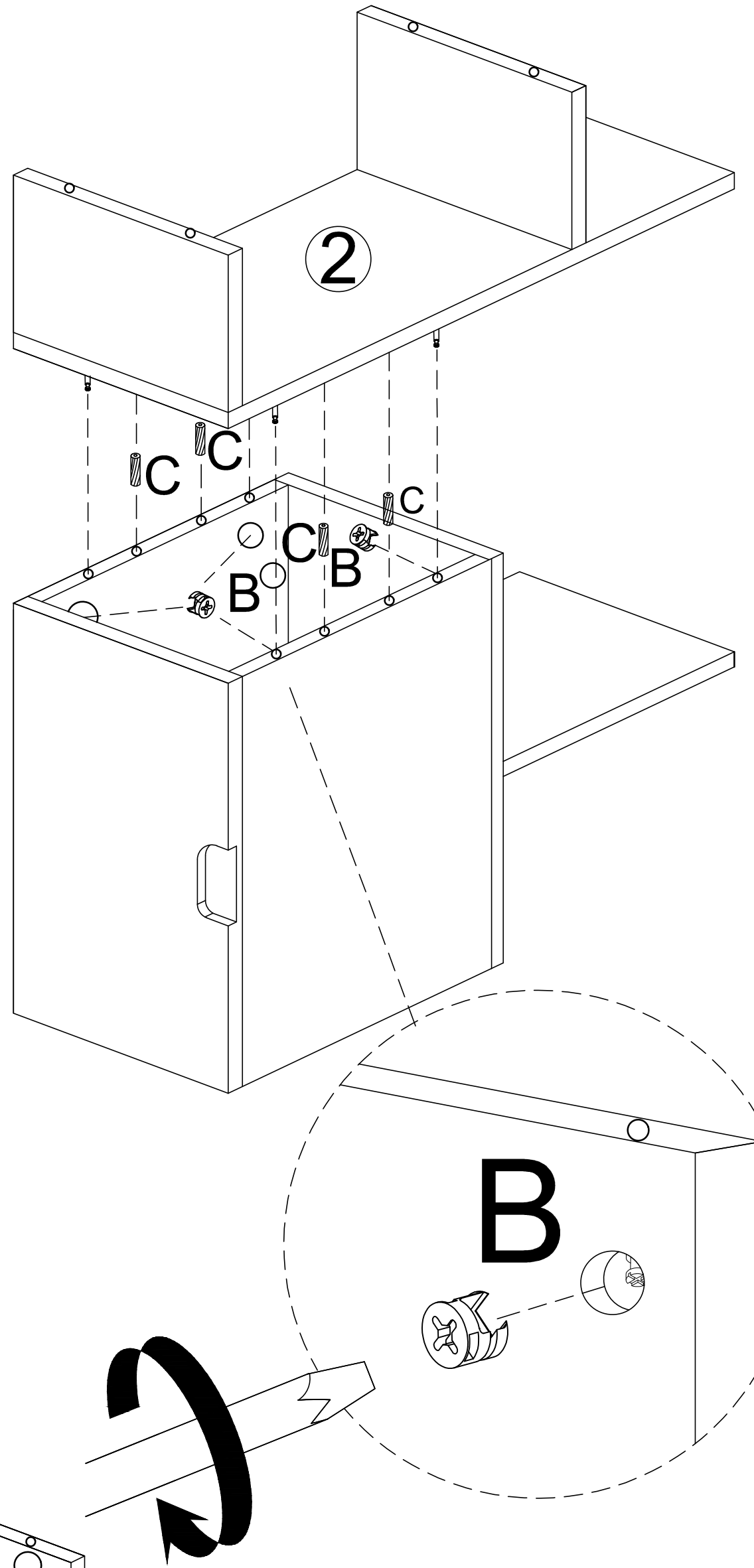
4.



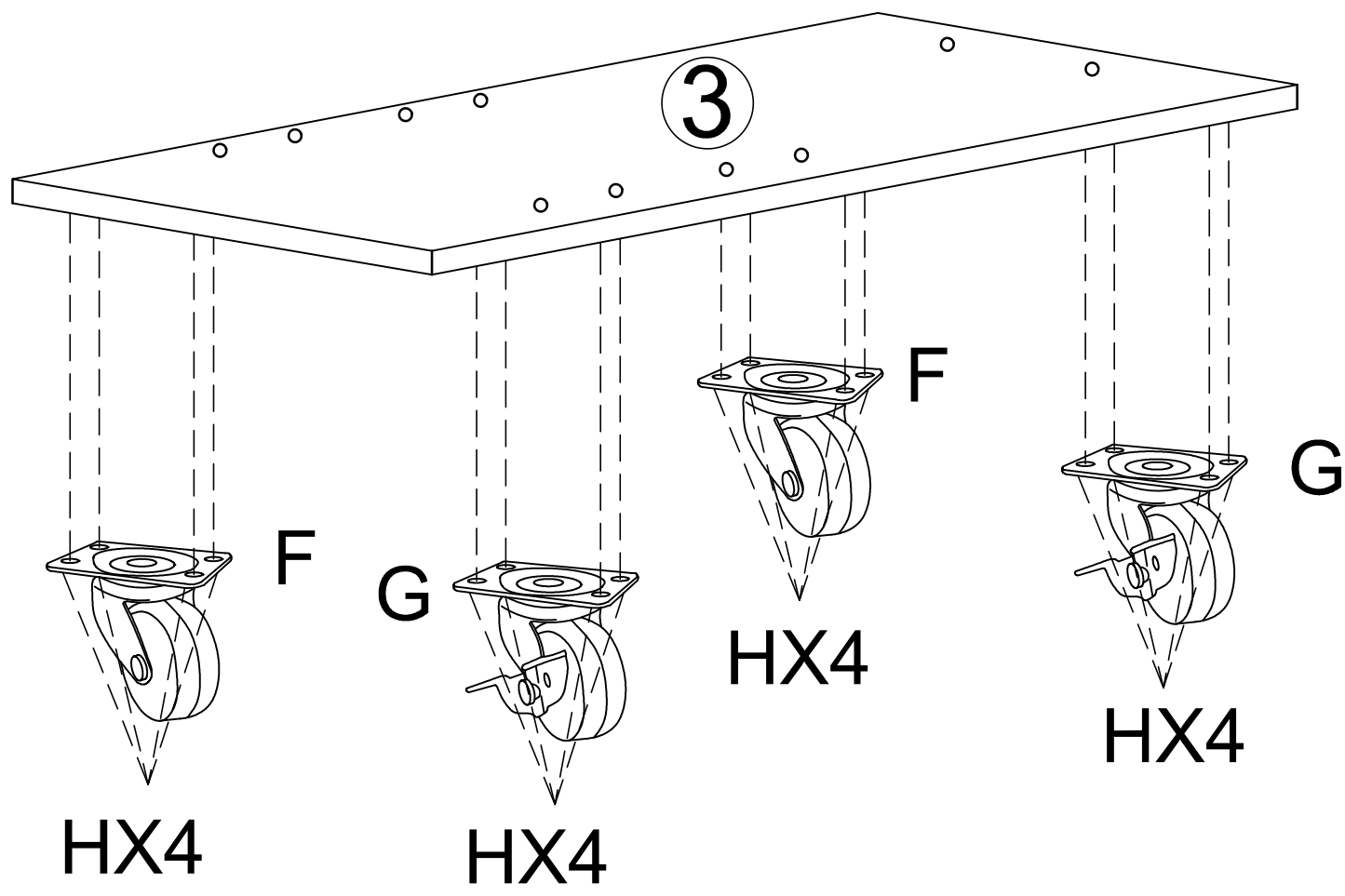
5.



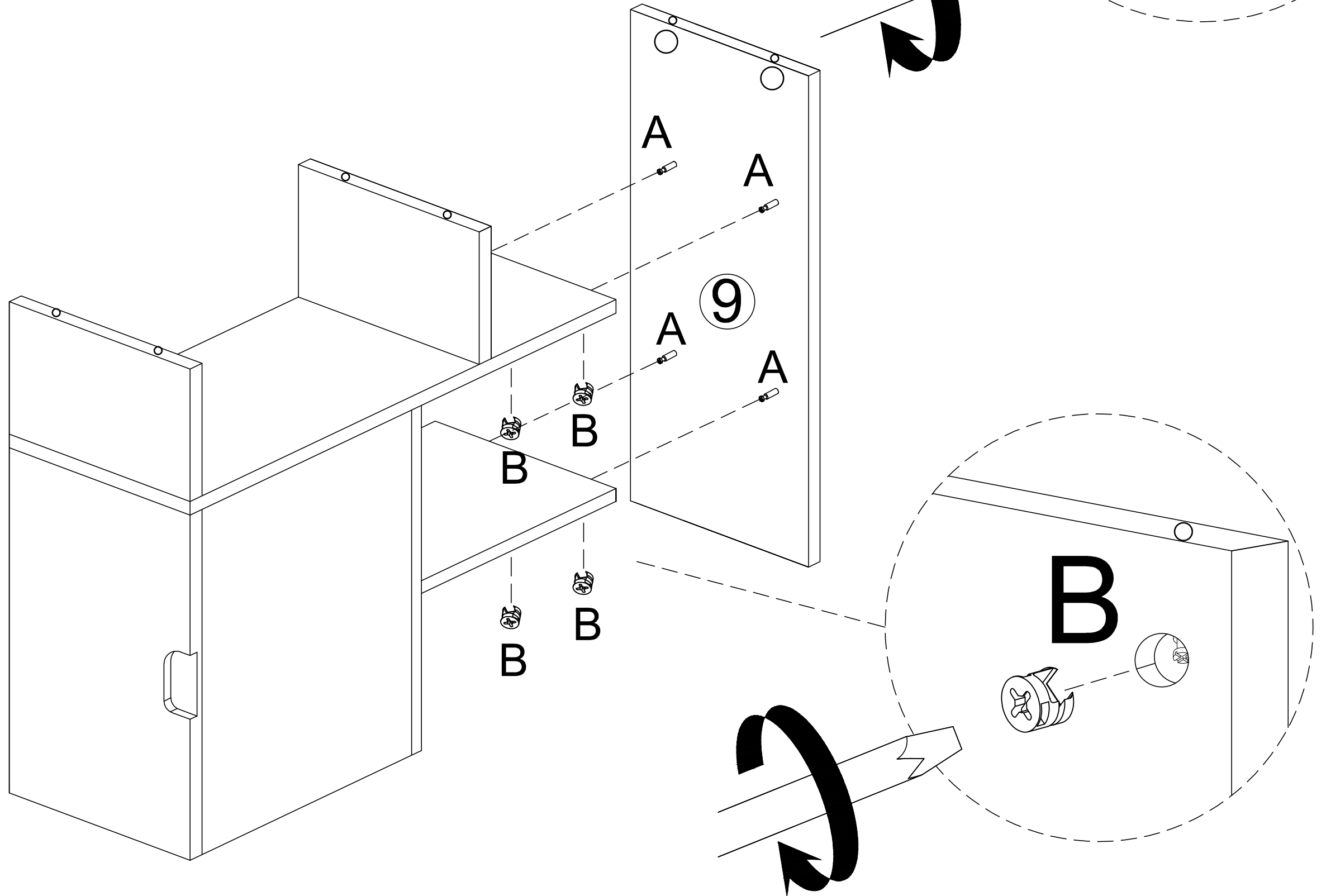
6.



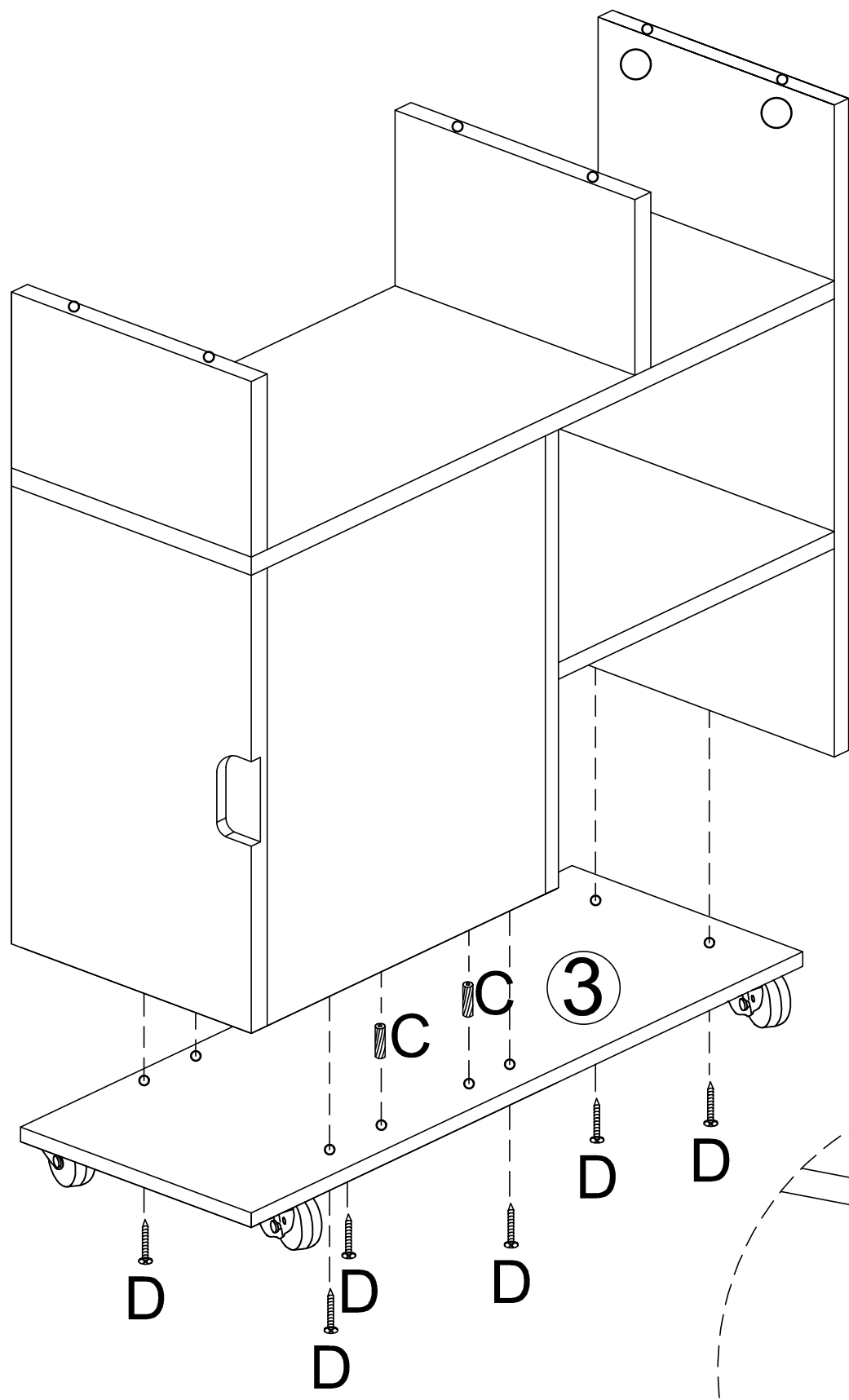
7.



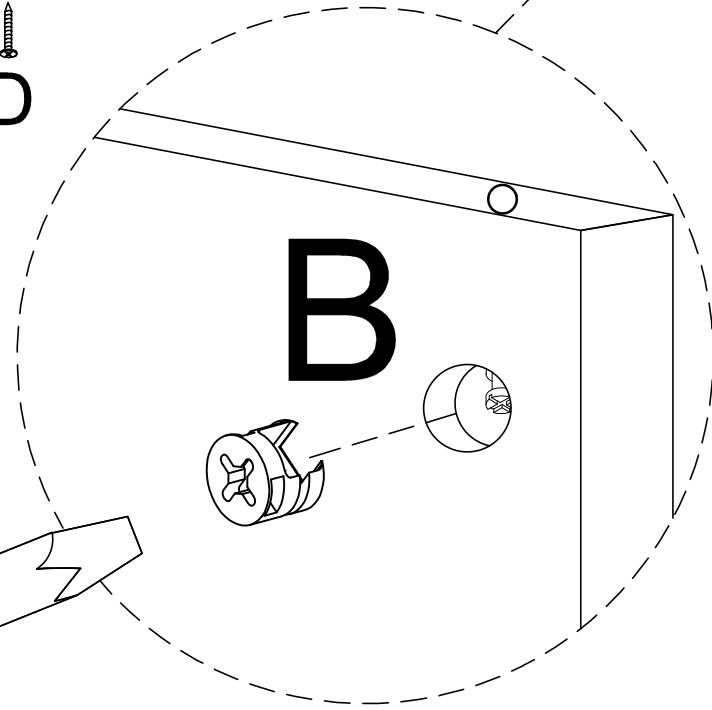
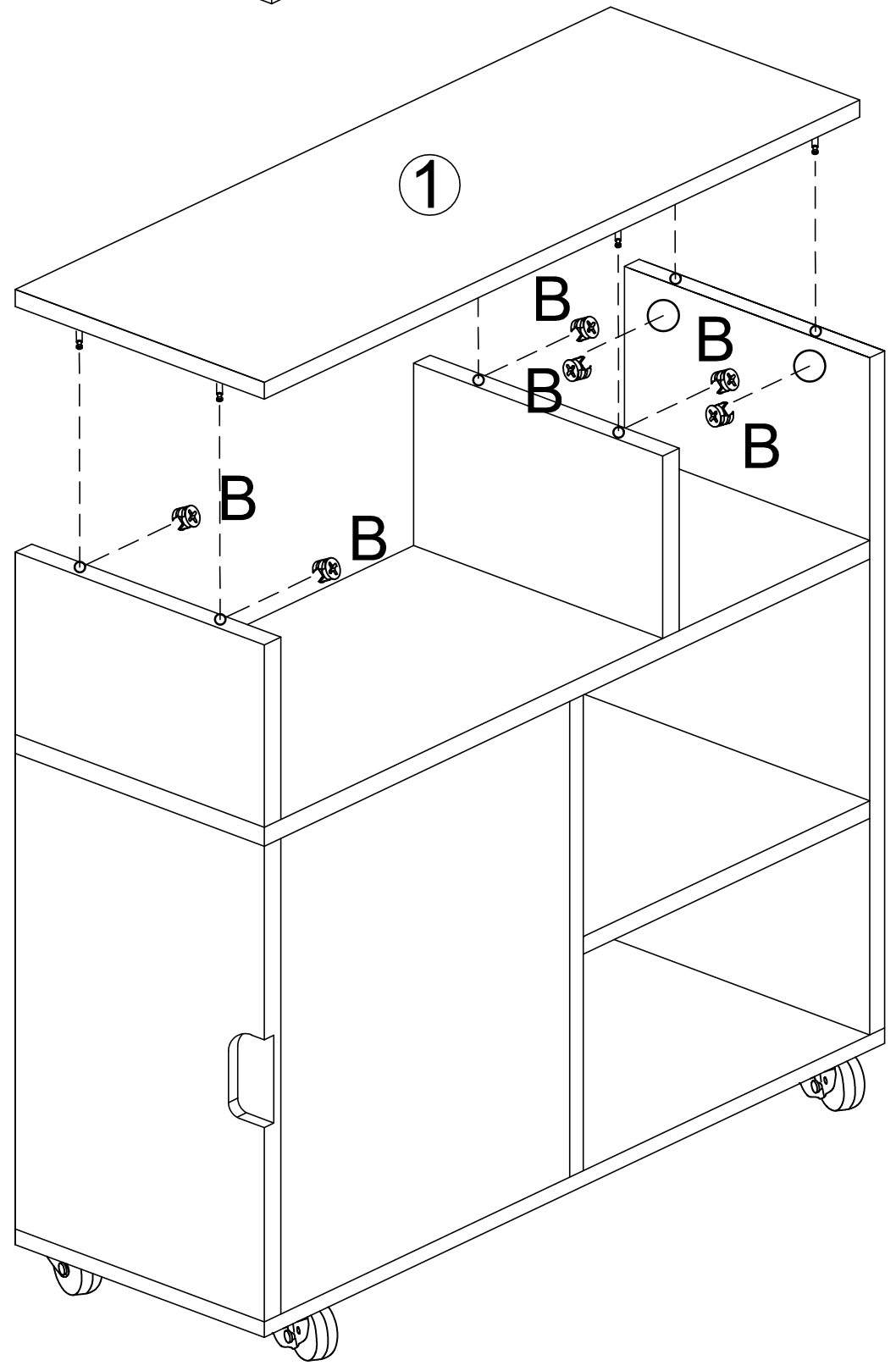
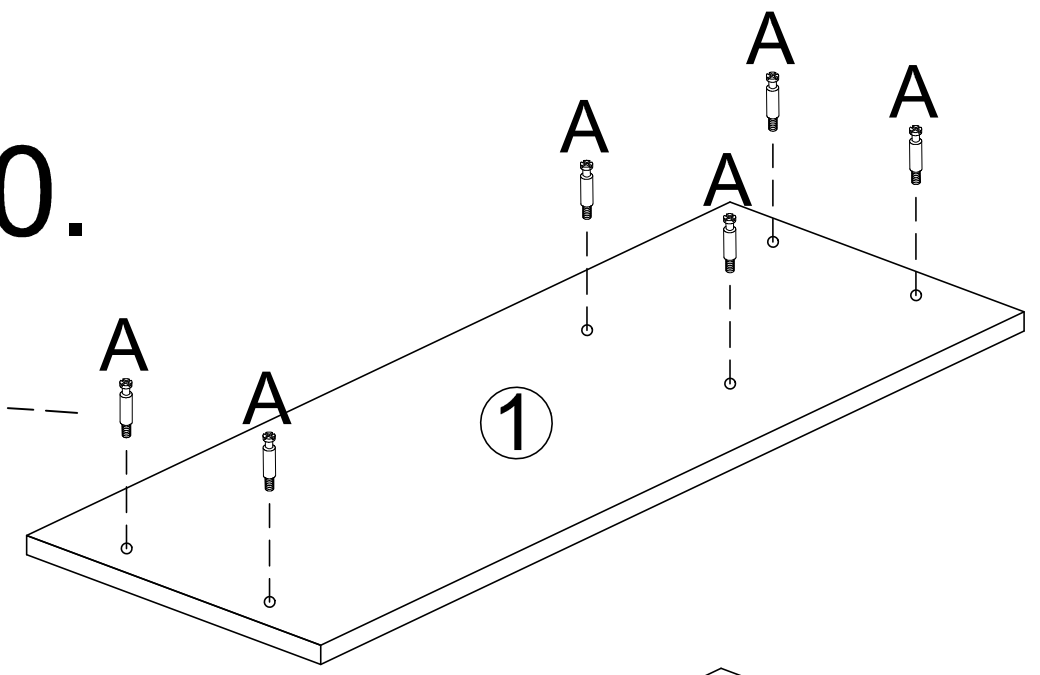
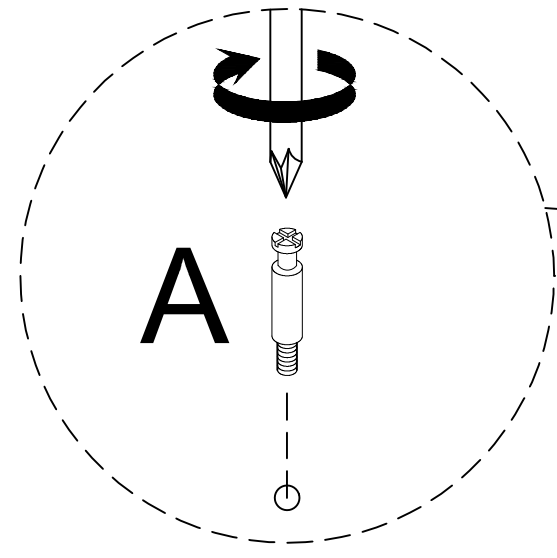
8.



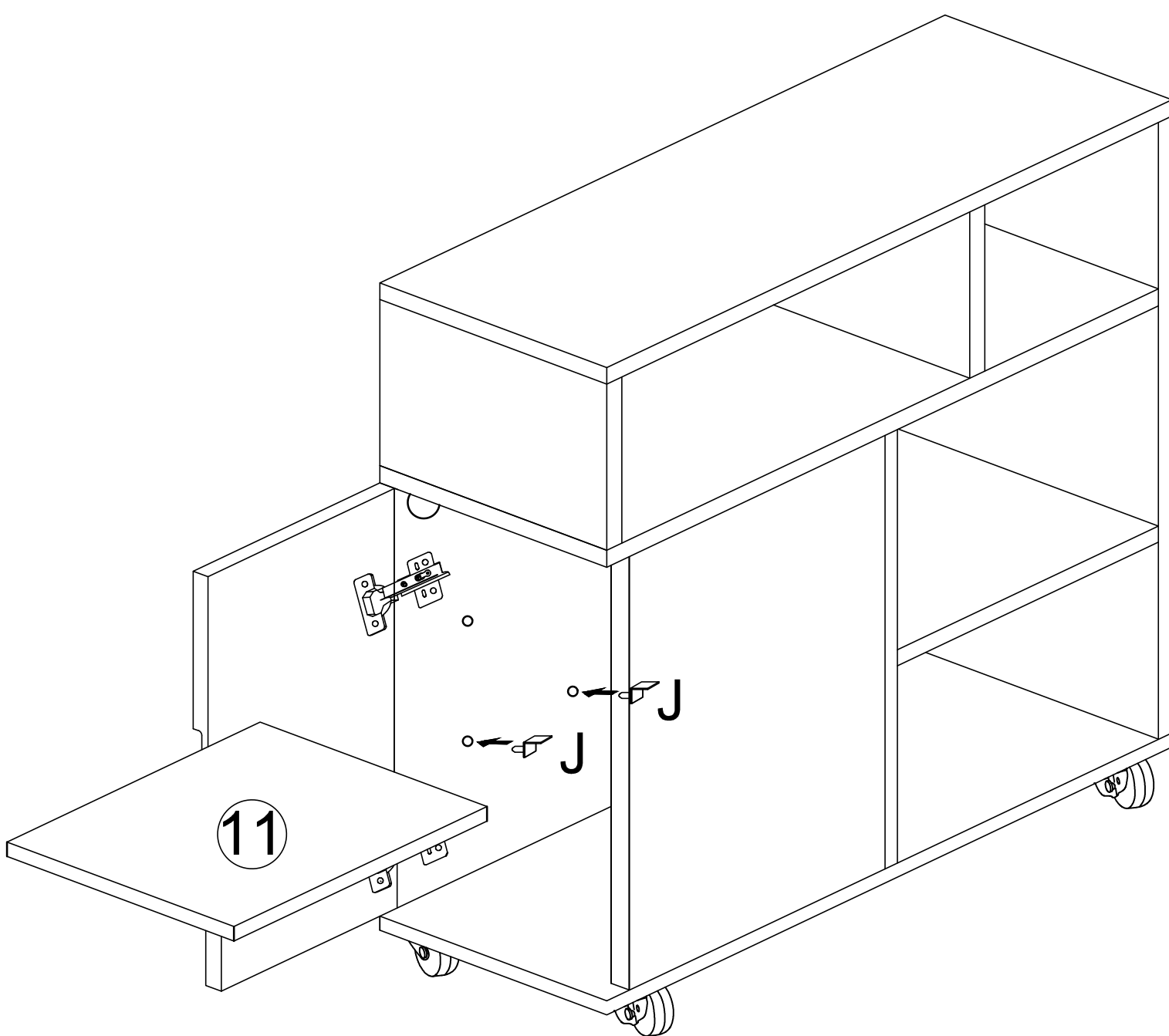
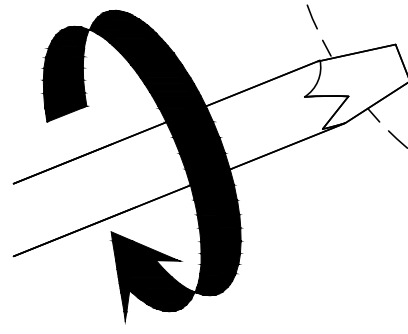
9.



10.



11.



12.

