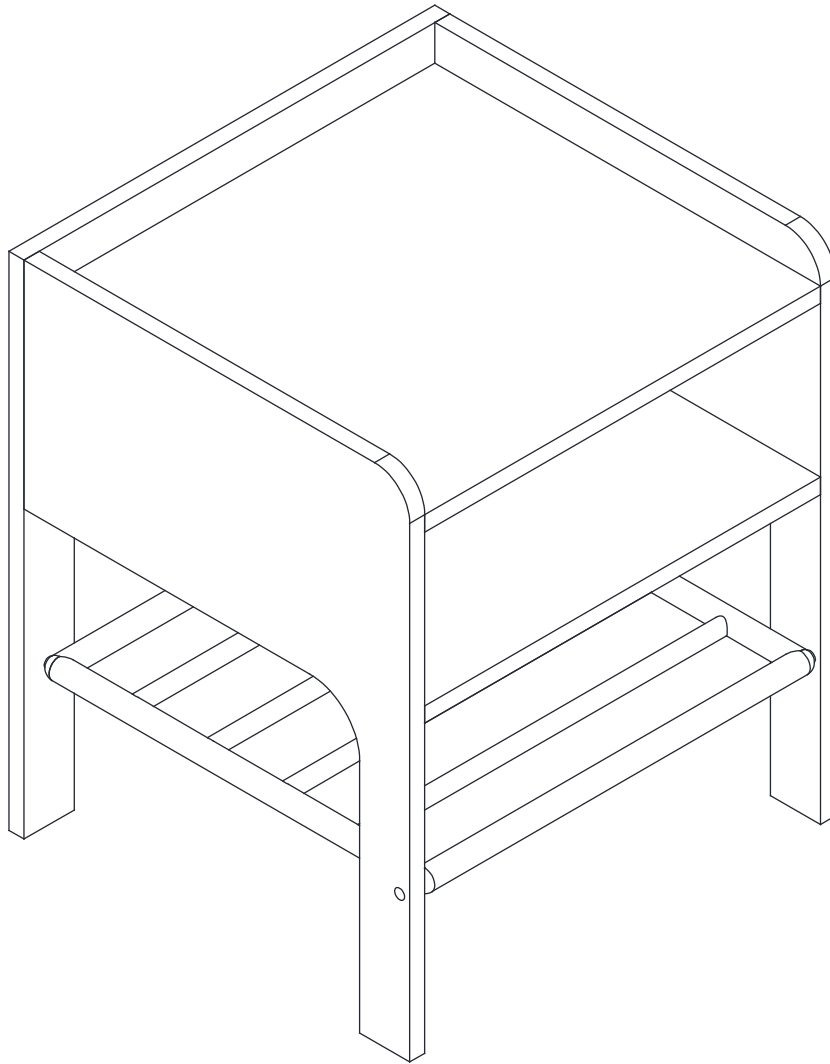
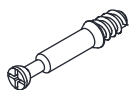
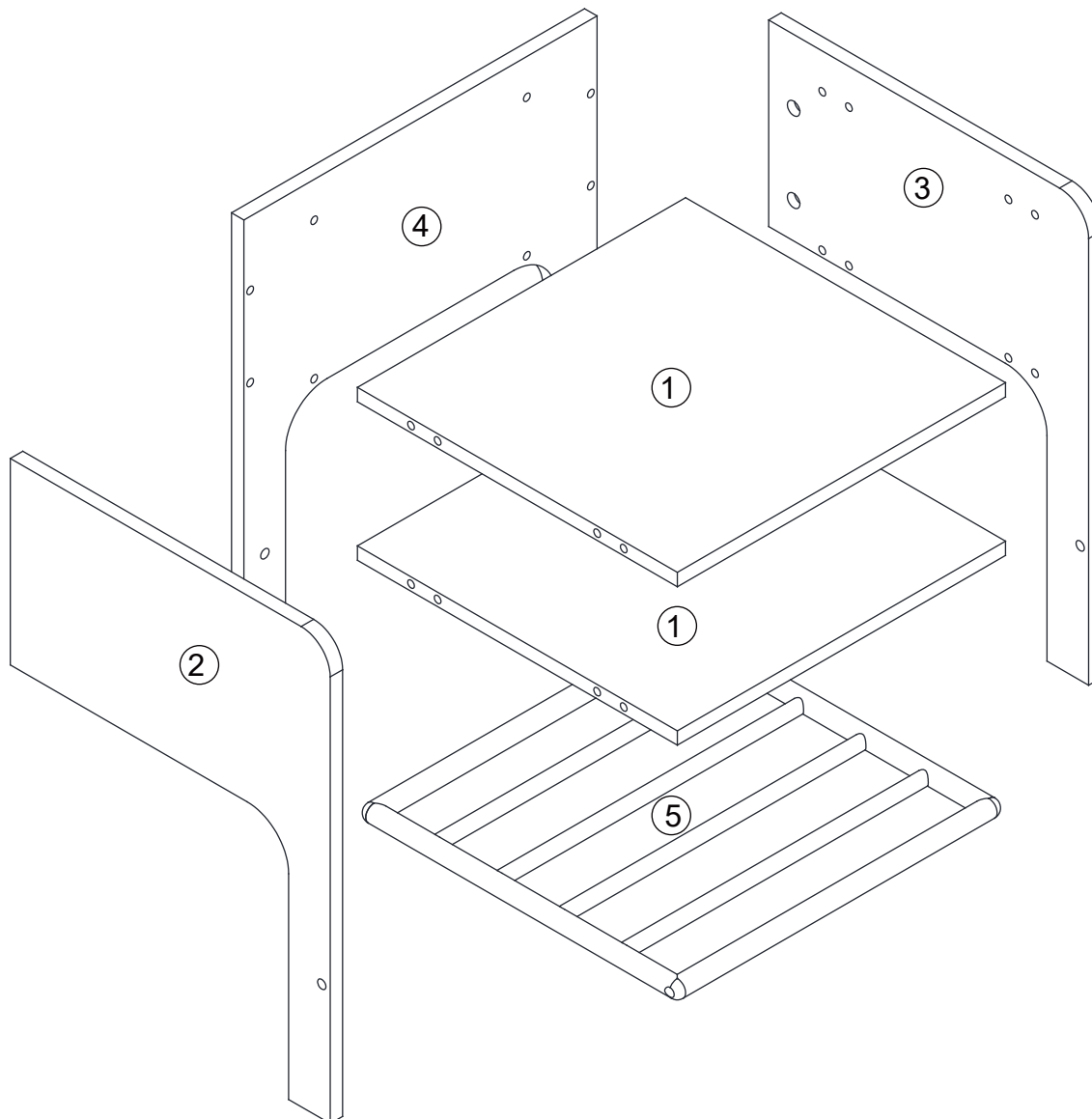


FUTON
C O M P A N Y

T1 WEEKENDER





A x 16



ø15x10mm
B x 16



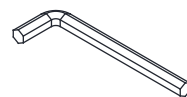
8x30mm
C x 8



5x40mm
D x 4



E x 4



3#
F x 1

IMPORTANT INFORMATION!

Please read the entire manual carefully before starting to assemble and/or using this product. Follow the manual thoroughly and keep it for further reference.

WARNING TO AVOID SCRATCHES!

During assembly, to avoid scratching parts, lay them on a clean, flat soft surface.

IMPORTANT!

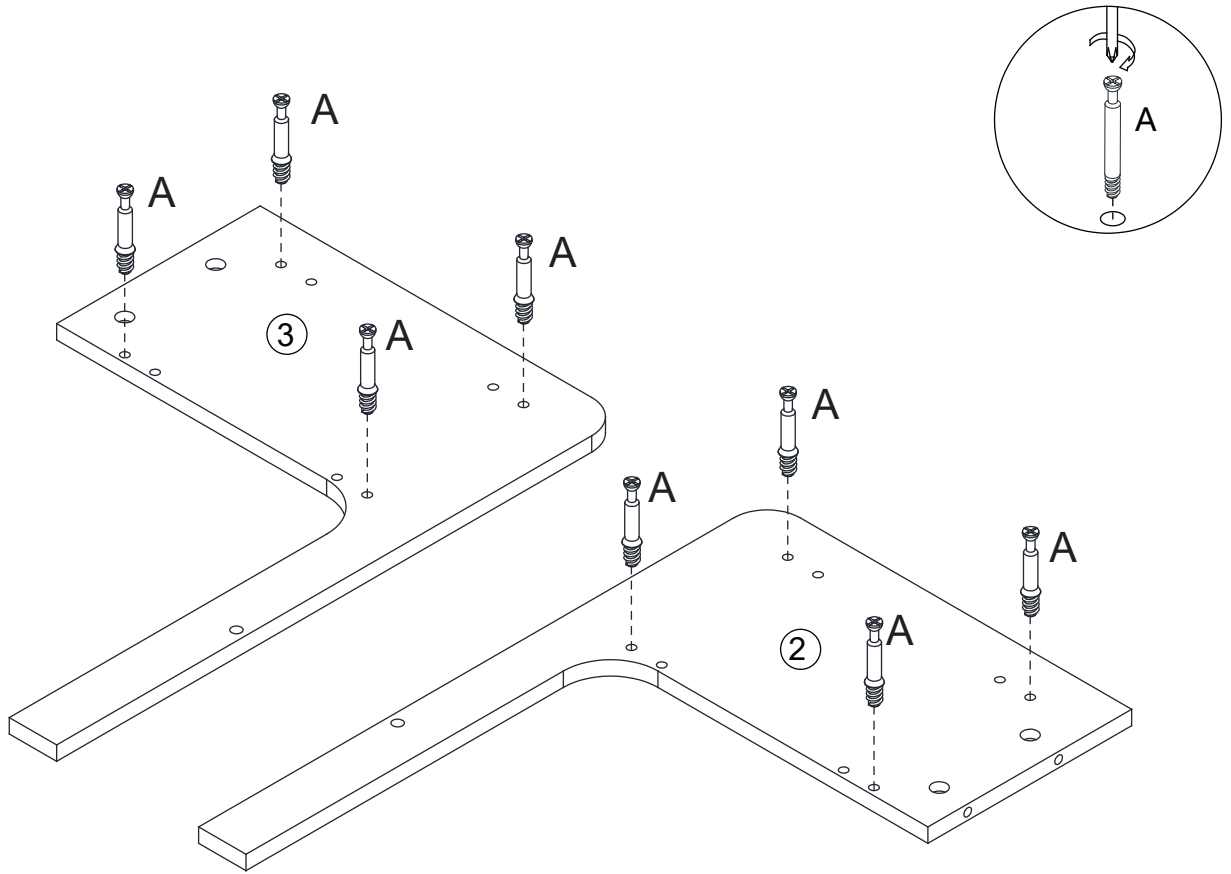
To ensure maximum performance from this product, we advise that you check and tighten all bolts and screws on a regular basis to avoid damage and strain to parts. Improper use, improper assembly and mishandling may lead to product damage.

GENERAL INSTRUCTION FOR FURNITURE SURFACES!

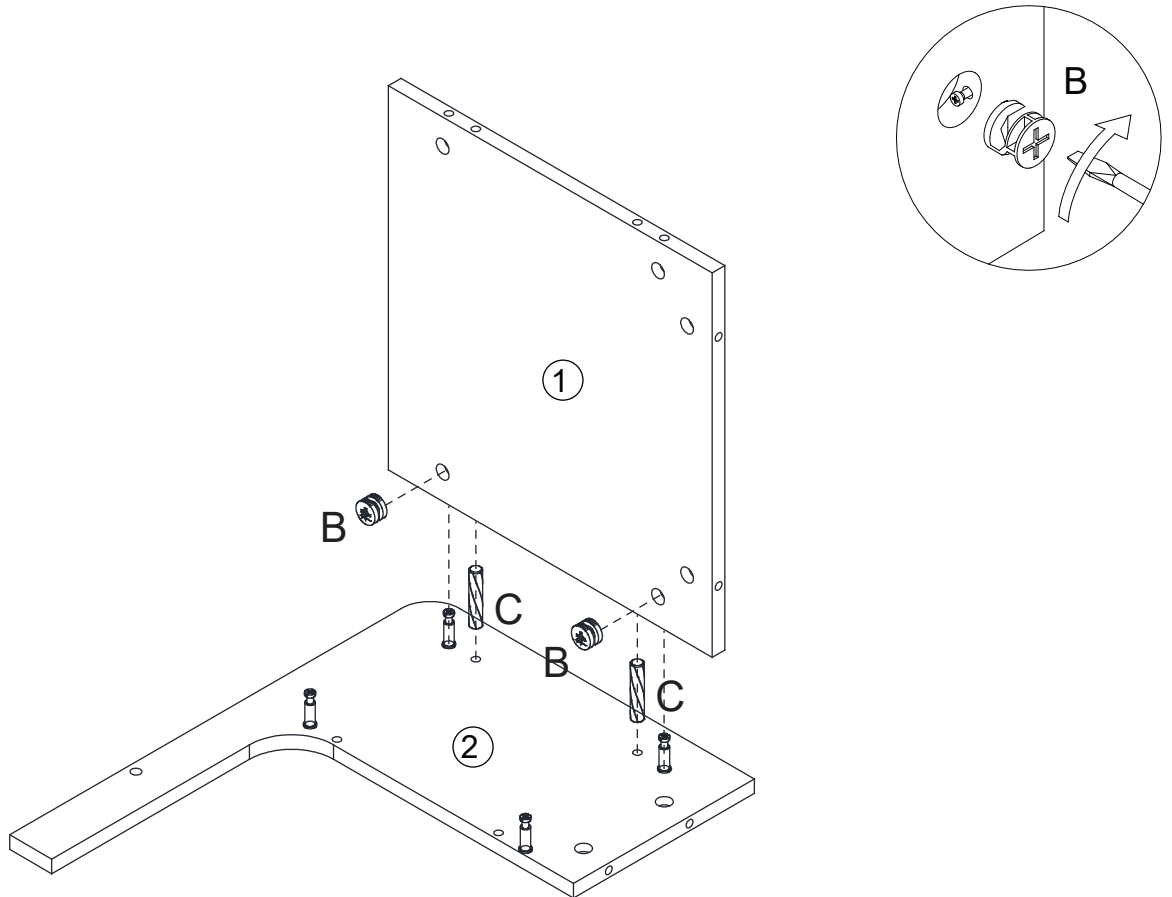
Wipe clean with a damp cloth. Use only water or a gentle detergent. Wipe dry with a clean cloth.



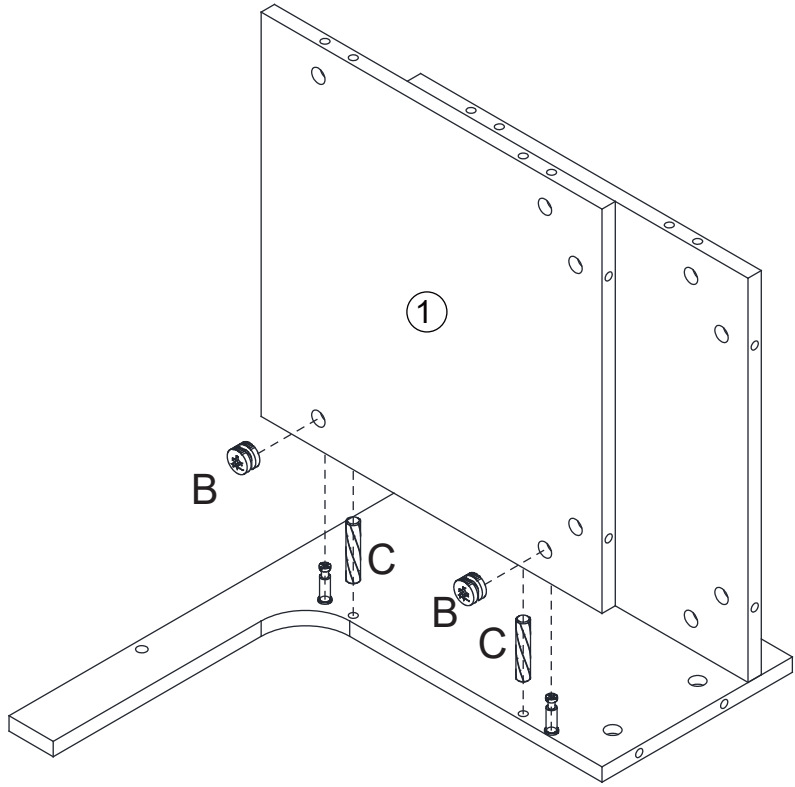
1



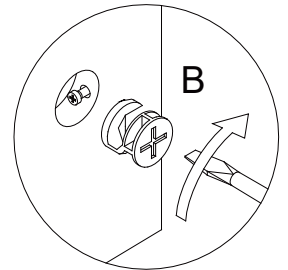
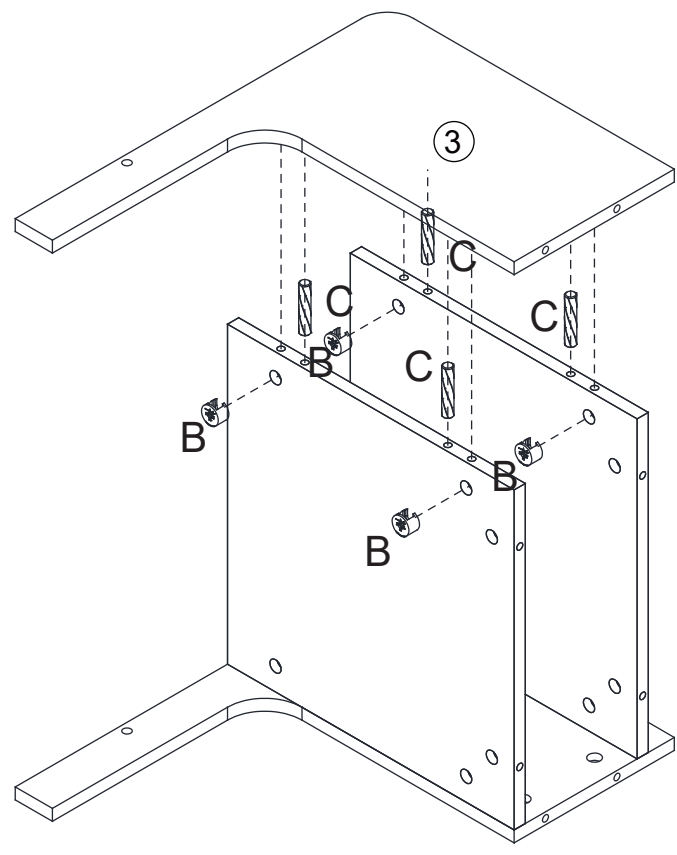
2



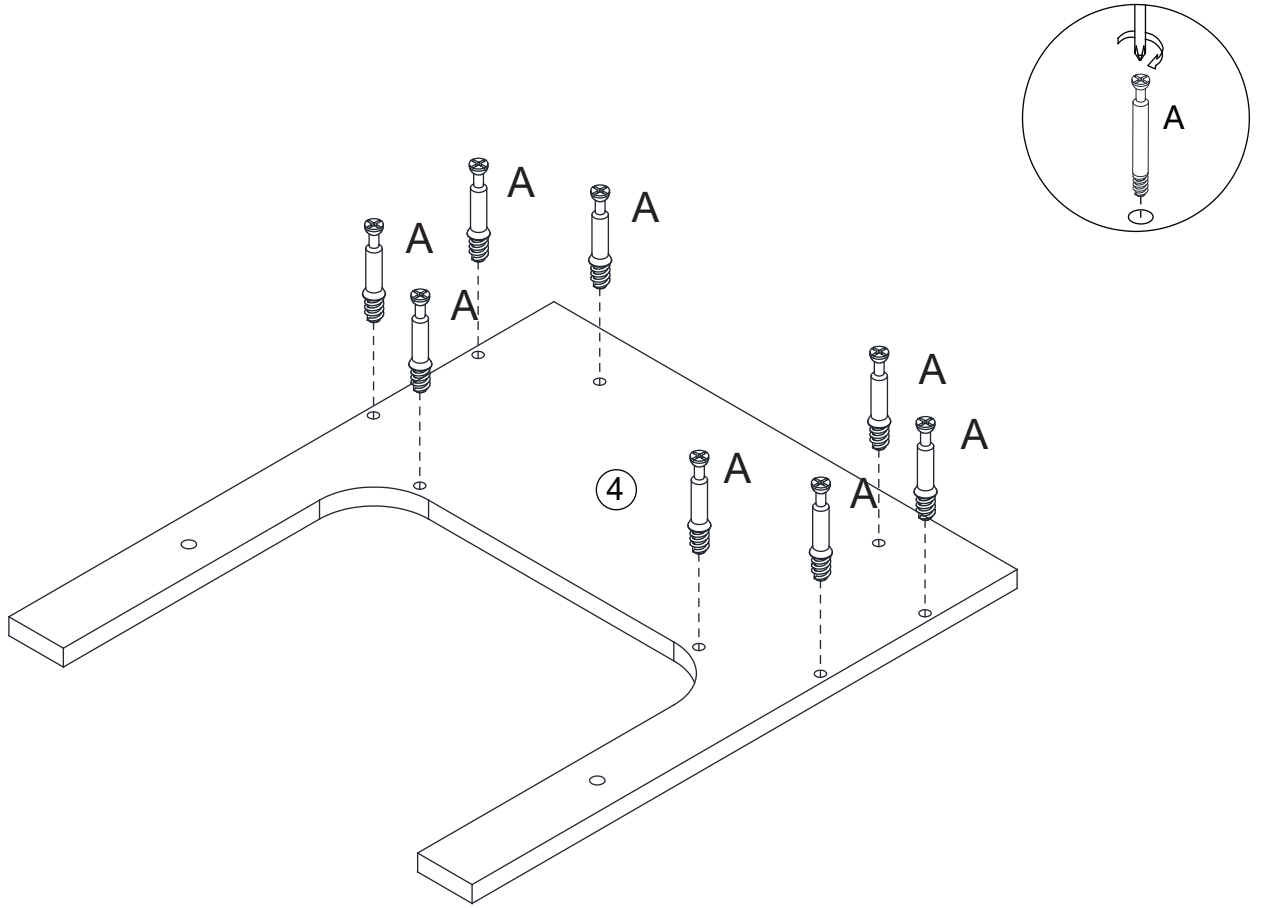
3



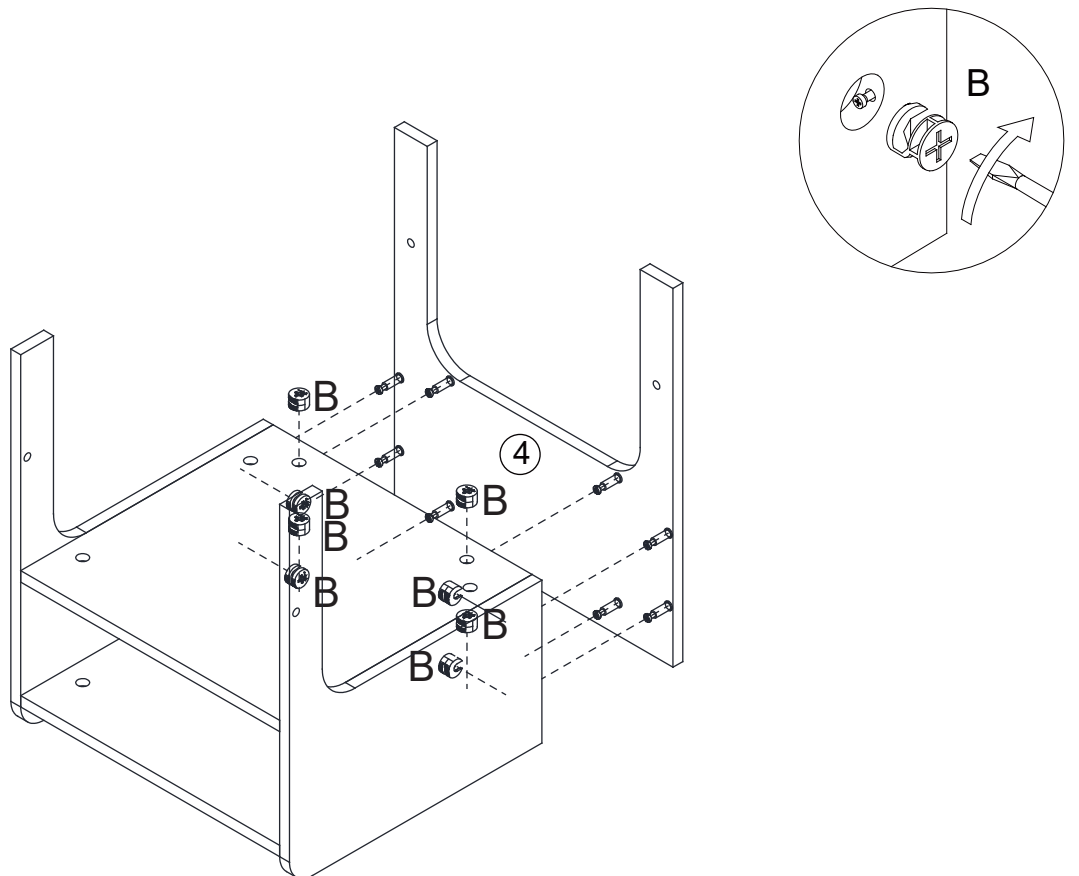
4



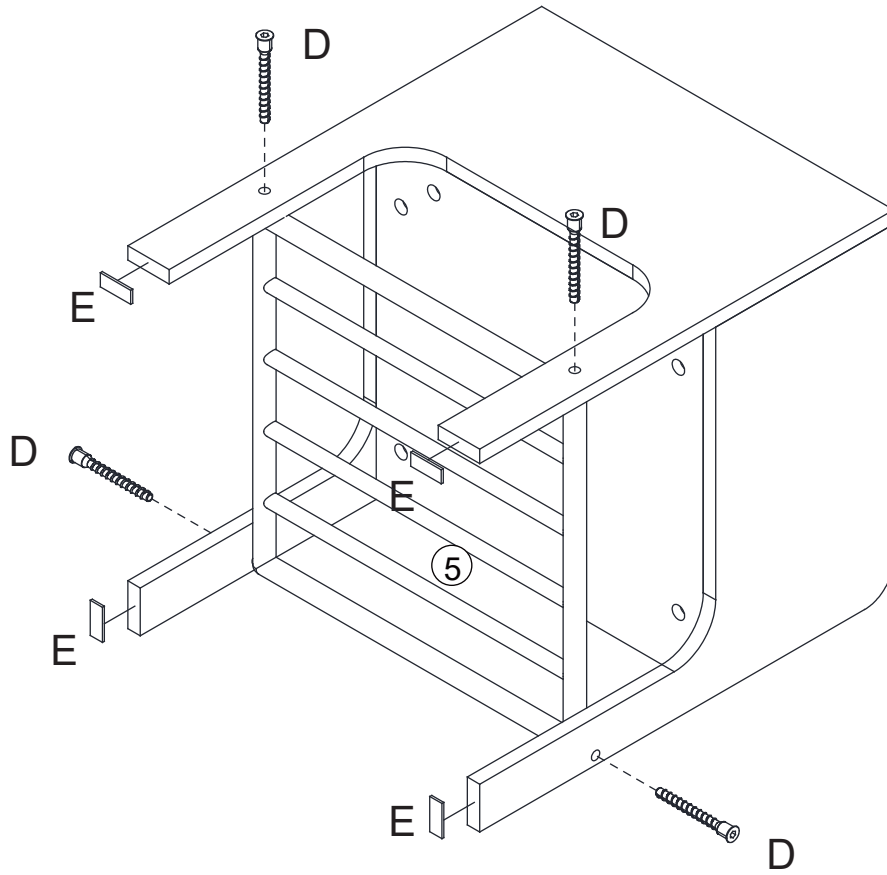
5



6



7



8

