

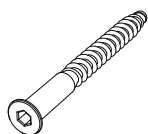
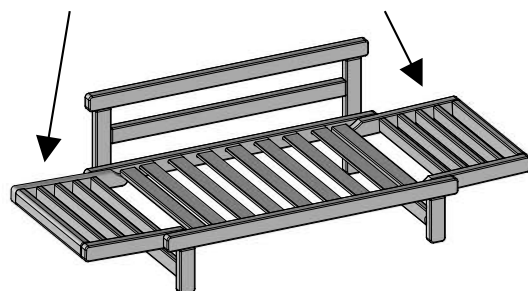
SB2 WHISP



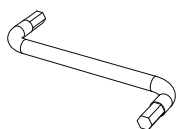
TWO PEOPLE
REQUIRED FOR
ASSEMBLY



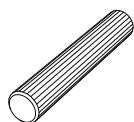
PLEASE DO NOT SIT ON THE ARMS



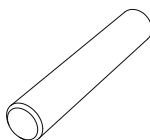
Ax2



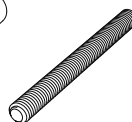
Bx1



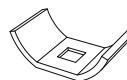
Cx10



Dx4



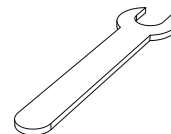
Ex8



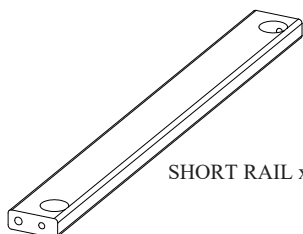
Fx8



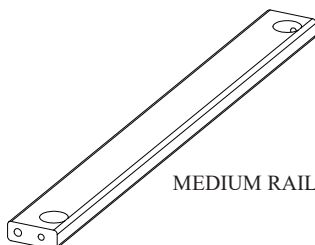
Gx8



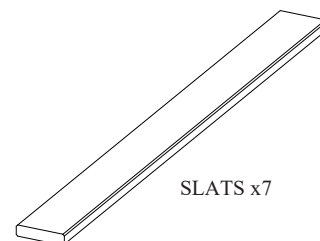
Hx1



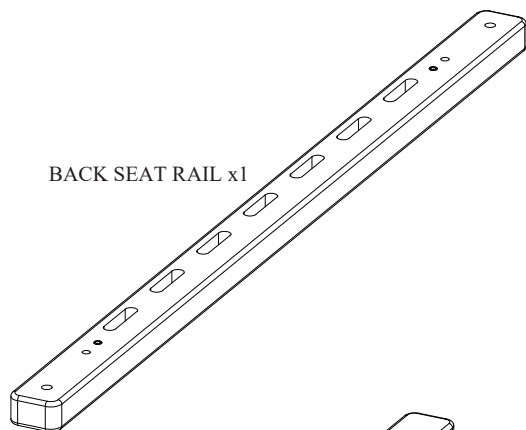
SHORT RAIL x2



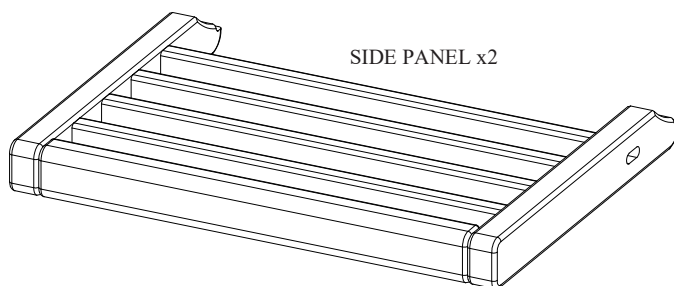
MEDIUM RAIL x2



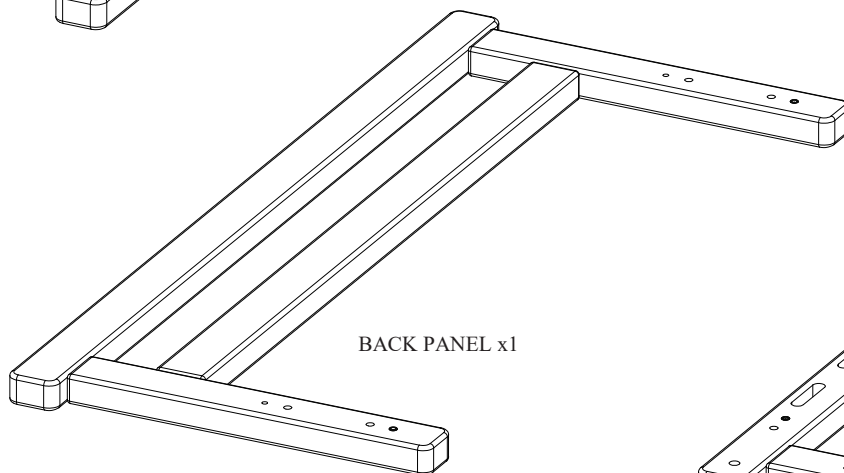
SLATS x7



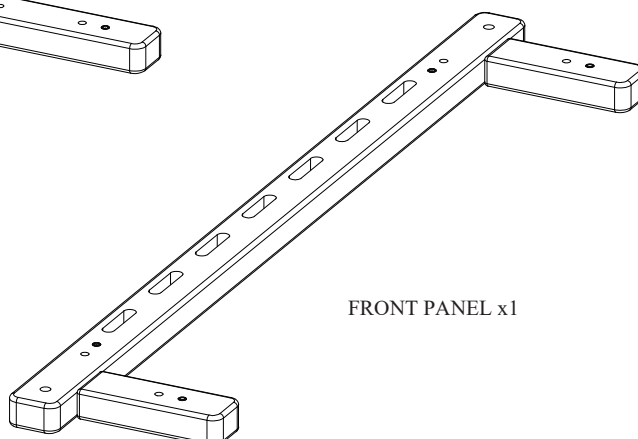
BACK SEAT RAIL x1



SIDE PANEL x2

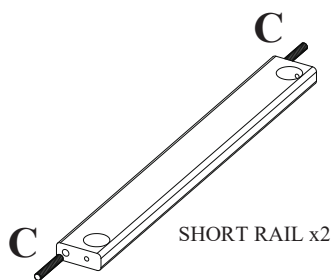


BACK PANEL x1

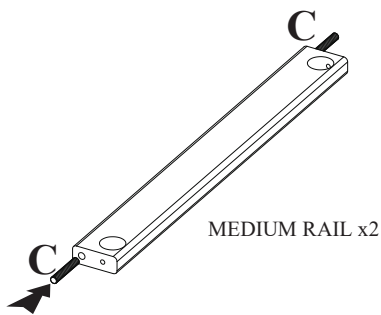


FRONT PANEL x1

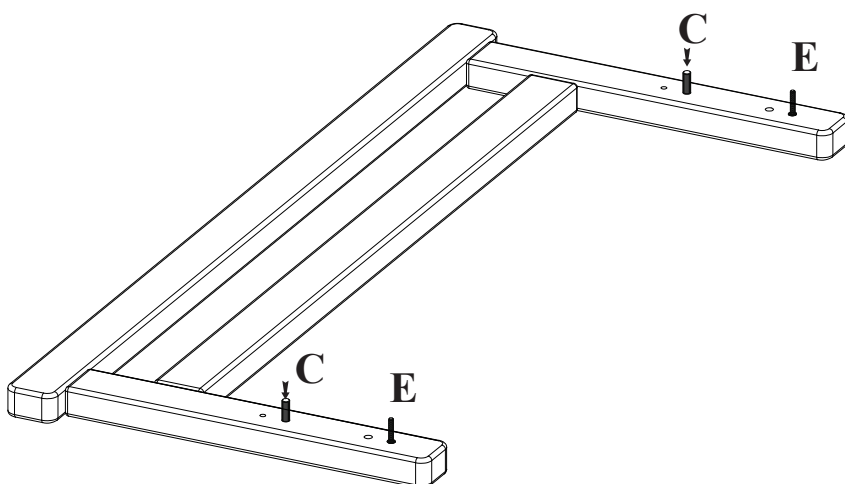
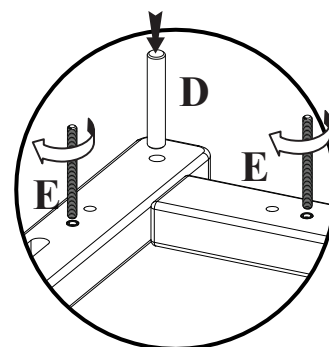
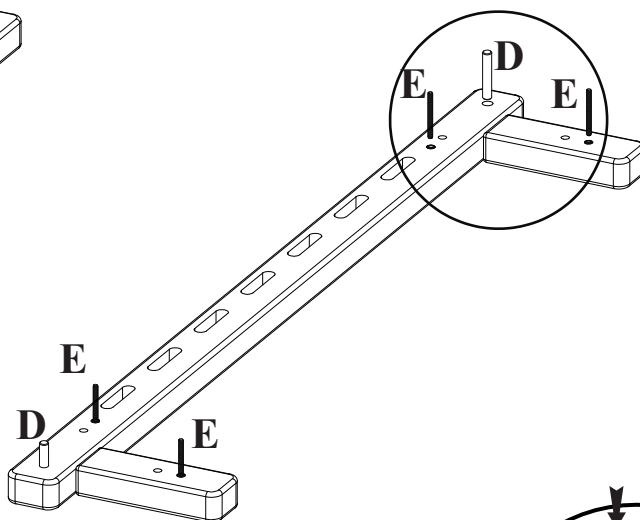
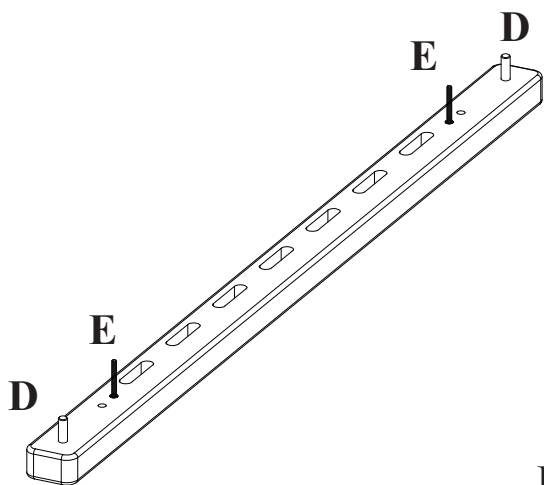
1



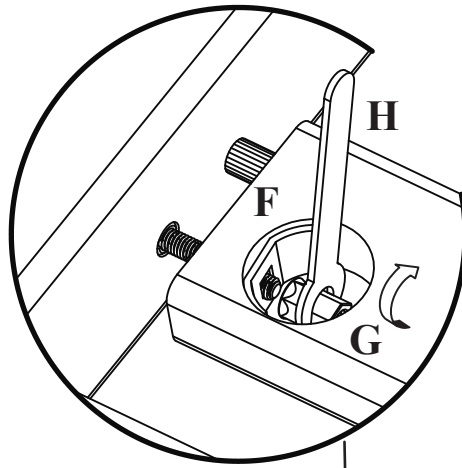
SHORT RAIL x2



MEDIUM RAIL x2



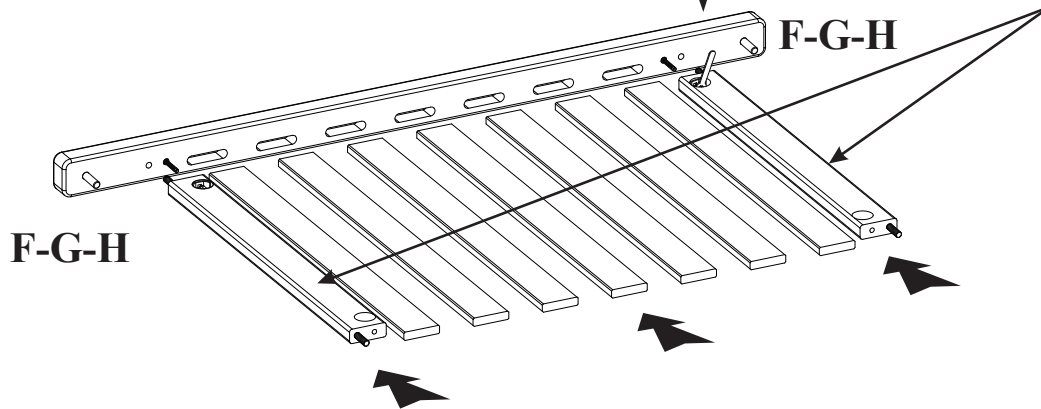
2



Place part F into wooden hole first then line up over thread and dowel before pushing into place.

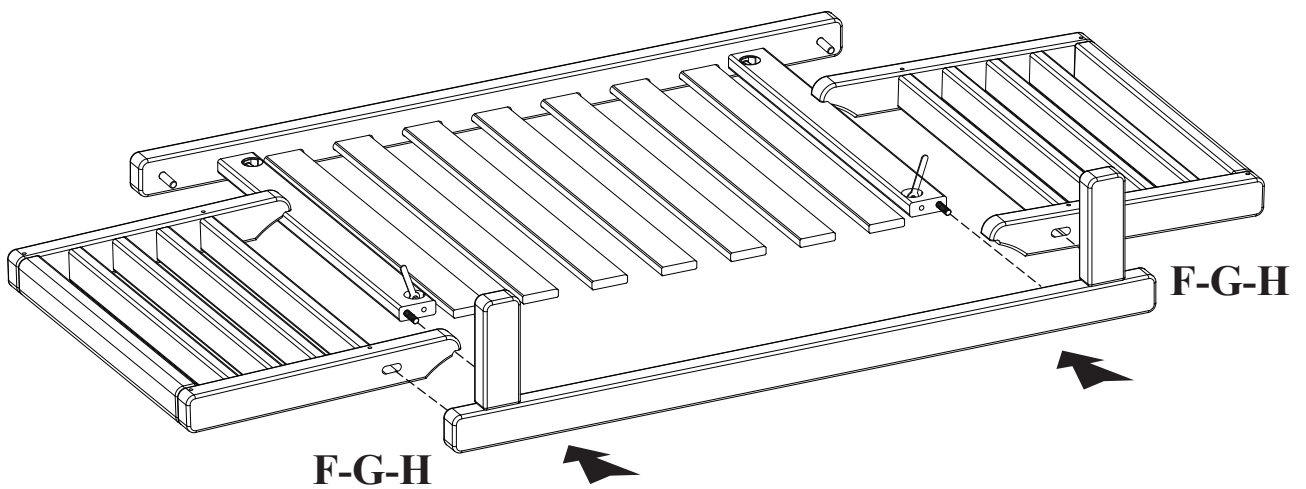
When tightening part G DO NOT OVERTIGHTEN the nut onto the thread (part E)

PLEASE MAKE SURE BACK SEAT RAIL IS IN THE POSITION SHOWN BELOW BEFORE FIXING SLATS INTO PLACE.

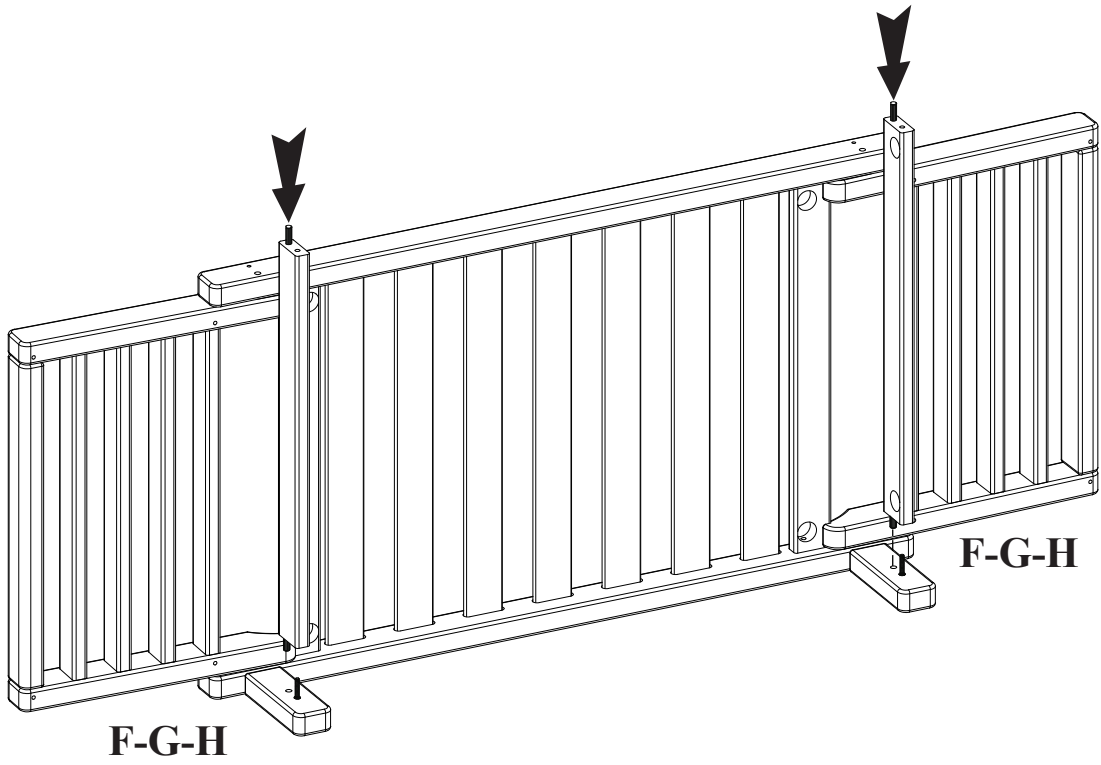


USE SHORT RAIL
NOT
MEDIUM RAIL

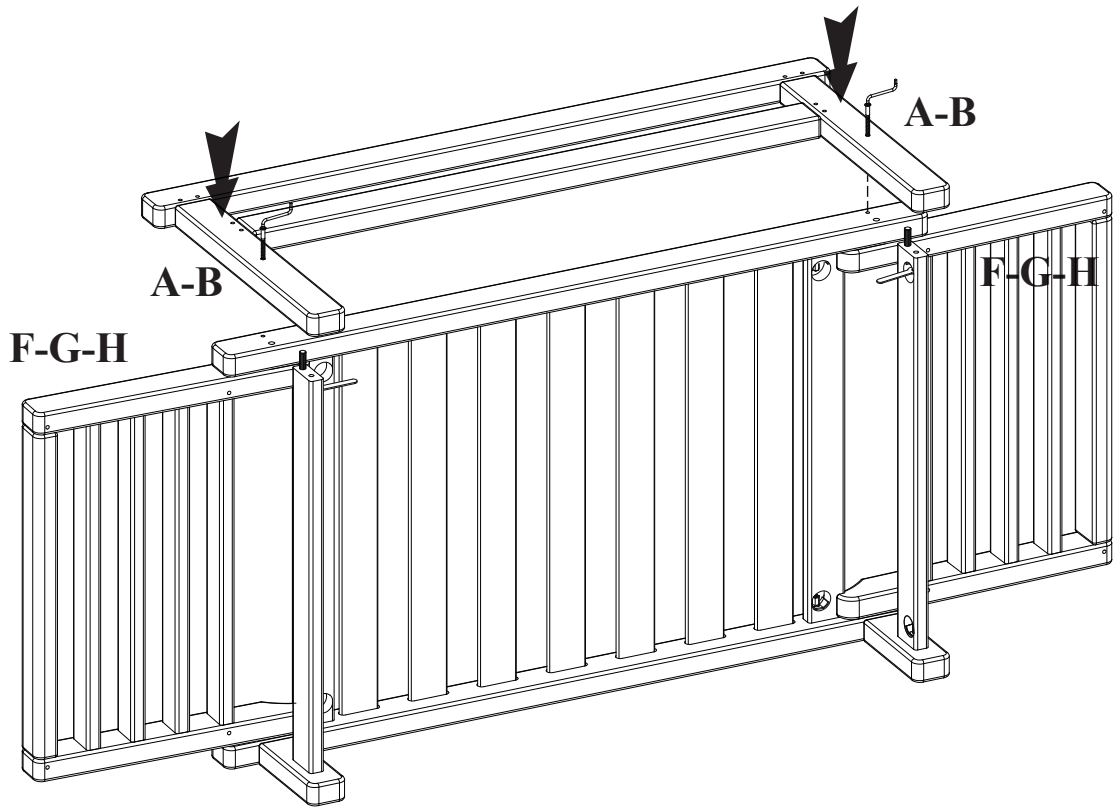
3



4



5



WARNING

PLEASE DO NOT SIT ON THE ARMS OF YOUR SOFA BED WHEN THEY ARE IN THE DOWN POSITION. THE ARMS WILL HAPPILY SUPPORT HEADS AND FEET, BUT NOT YOUR ENTIRE BODY WEIGHT!

