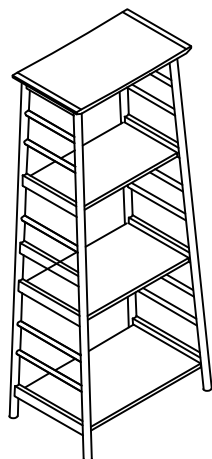


Assembly Instructions

Pagoda Oak Shelf

FUTON
C O M P A N Y

ROPO no:



PLEASE READ THESE INSTRUCTIONS VERY CAREFULLY BEFORE YOU BEGIN, TO ENSURE THAT YOUR FUTON COMPANY PRODUCT WILL GIVE YOU MANY YEARS OF SATISFACTION

Thank you for buying a Futon Company product.

We are constantly striving to improve everything we do, but occasionally mistakes do occur. In the unlikely event that you find any part missing, please call your nearest Futon Company store and we will arrange for the despatch of an immediate replacement. Please keep all packaging until you have checked every part and assembly of your Futon Company product is complete.

Version number: 1 Product code: ST SHELF PAGODA Date: 26/07/24

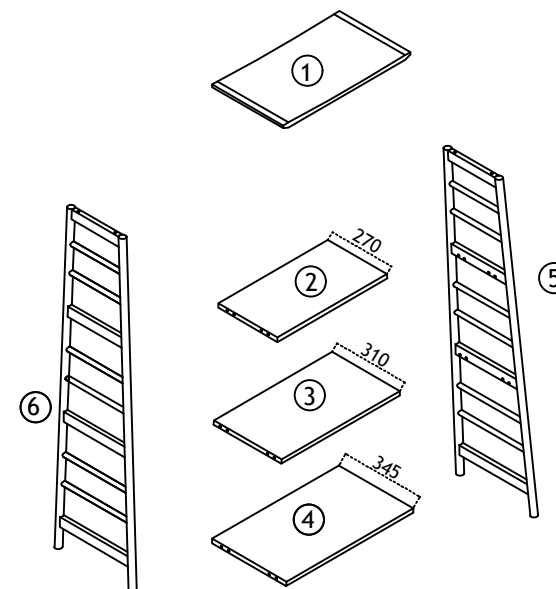
experts in small space living



Parts Checklist

Please count and check every component very carefully before you begin

- ① Shelf Top x1
- ② Shelf A x1(270mm)
- ③ Shelf B x1(310mm)
- ④ Shelf C x1(345mm)
- ⑤ Right Side x1
- ⑥ Left Side x1



Fittings Checklist

Please count and check every component very carefully before you begin



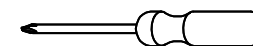
- ① Wooden Dowel x 12
- ② Bolt x 12
- ③ Nut x 12
- ④ Pressure Plate x 12



- ⑤ Small Spanner x 1
- ⑥ Allen Head Bolt x 4
- ⑦ Allen Key x 1



- ⑧ Felt Protector pad x 4
- ⑨ Wall Bracket x 1
- ⑩ Screw x 2



* Cross head Screwdriver also required for assembly



How To Assemble Your Shelf

Please follow these instructions carefully

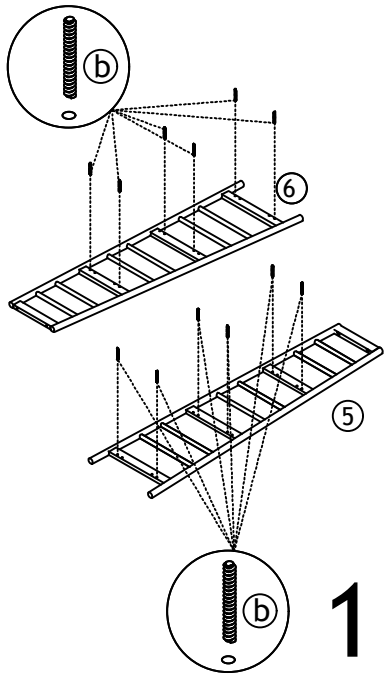
FUTON

C O M P A N Y

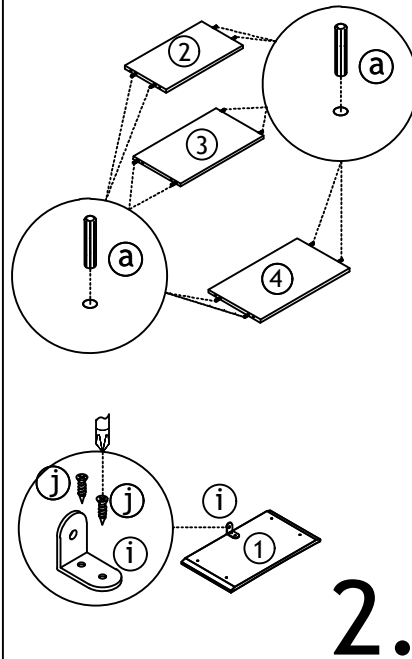


How To Use

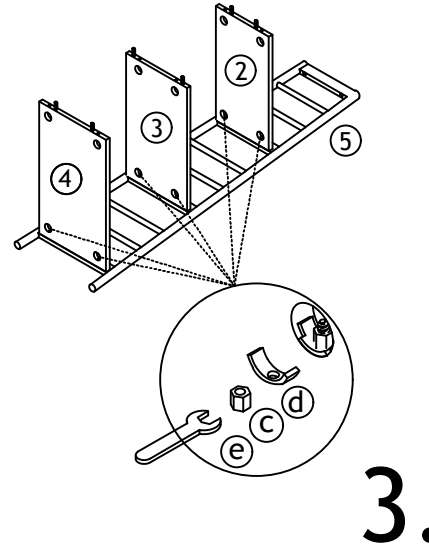
Please read carefully



1.



2.



3.

FINISH

Your Shelf is made from solid Oak.

CARE

To clean your Shelf, wipe with a damp cloth followed by a dry cloth.

IMPORTANT

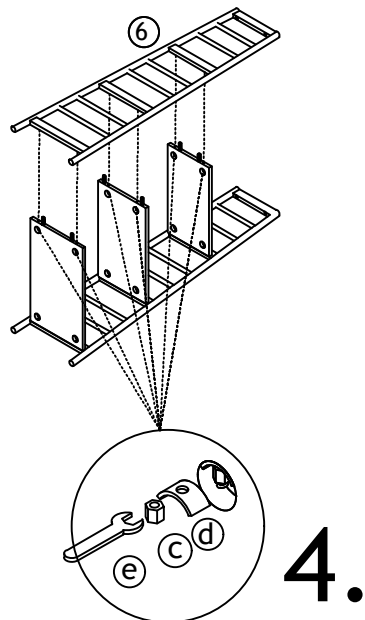
To ensure maximum performance from this product, we advise that you check and tighten all bolts and screws on a regular basis to avoid damage and strain to parts.

GUARANTEE

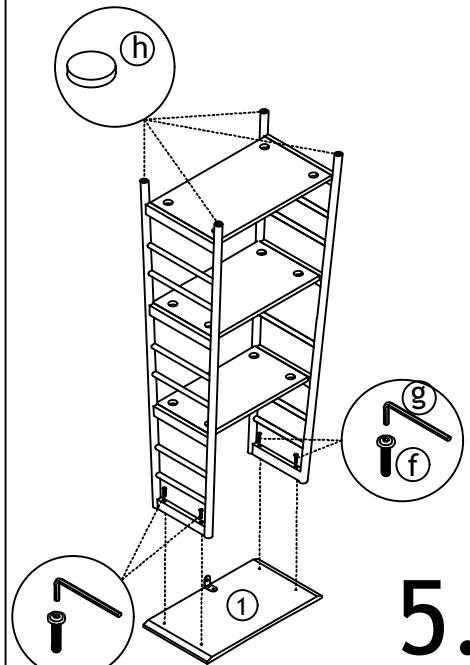
This instruction leaflet forms part of your guarantee. Please retain it. The ROPO number along with your invoice number will need to be quoted in

all correspondence with Futon Company.

Thank you for choosing Futon Company.

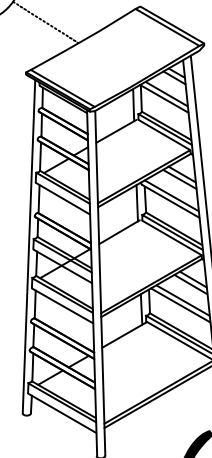
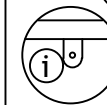


4.



5.

To ensure that the unit remains stable, use Wall Bracket to fix it to the wall. Fixings to attach Shelf to wall are not included as different wall materials require different types of fixing. Contact your local specialised hardware store for advice on suitable fixing. For safety reasons, we advise you to fix this item to the wall if young children or boisterous dogs are liable to bang into it. Never allow children to climb on furniture.



6.

