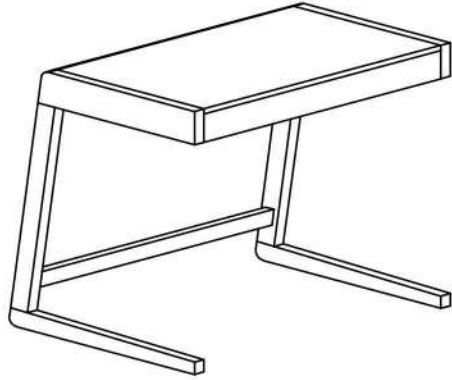


# ASSEMBLY INSTRUCTION

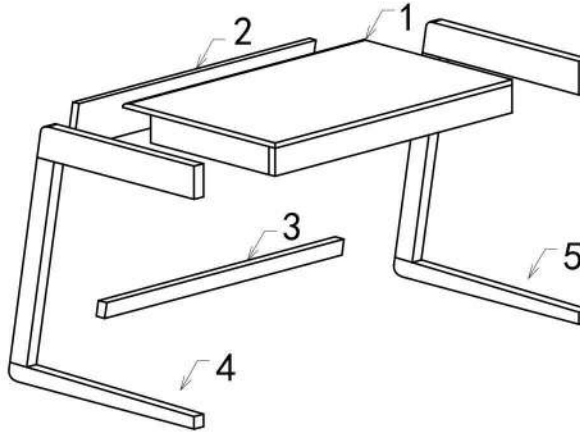
PRODUCT CODE :  
T4 DESK LEDGE

HARDWARE  
LIST

PARTS LIST

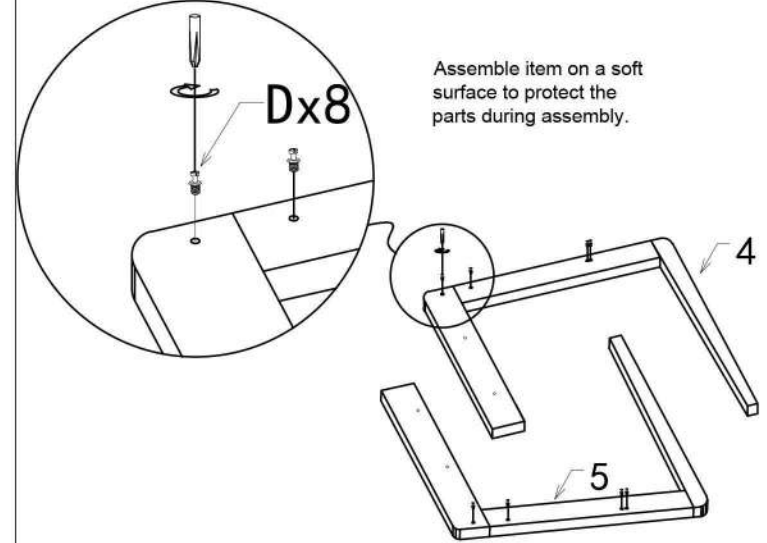


-  Ax4
-  Bx2
-  Cx2
-  Dx8
-  Ex4
-  Fx1



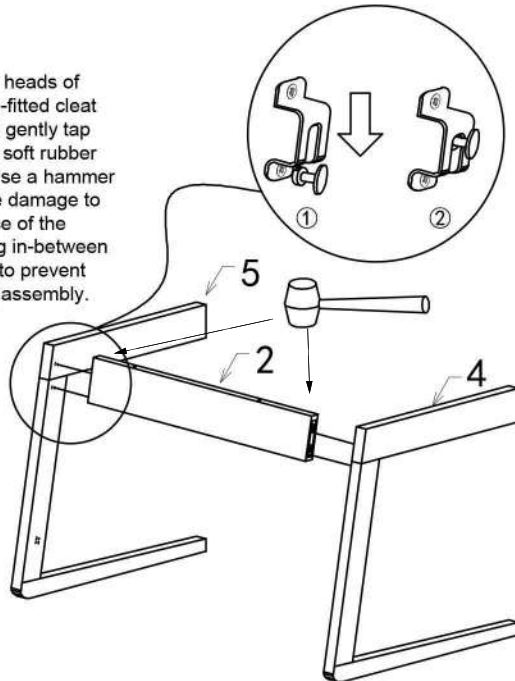
01

 Dx8



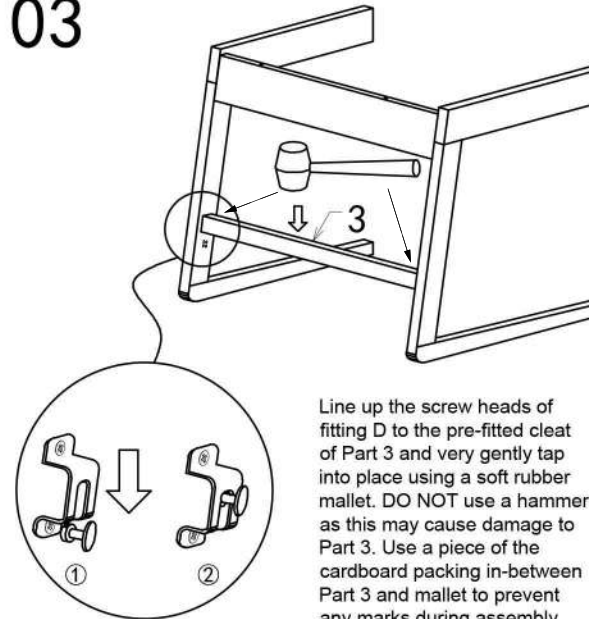
02

Line up the screw heads of fitting D to the pre-fitted cleat of Part 2 and very gently tap into place using a soft rubber mallet. DO NOT use a hammer as this may cause damage to Part 2. Use a piece of the cardboard packing in-between Part 2 and mallet to prevent any marks during assembly.



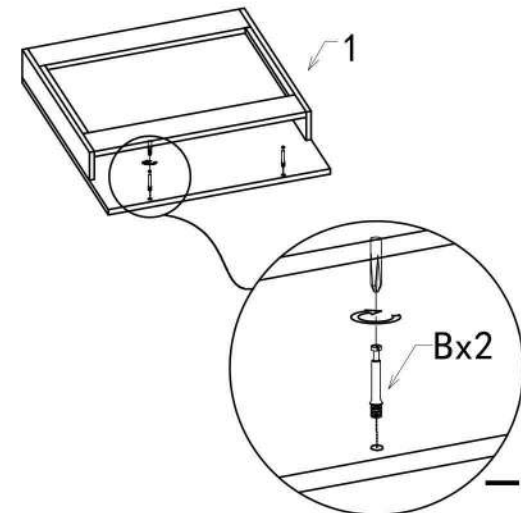
03

Line up the screw heads of fitting D to the pre-fitted cleat of Part 3 and very gently tap into place using a soft rubber mallet. DO NOT use a hammer as this may cause damage to Part 3. Use a piece of the cardboard packing in-between Part 3 and mallet to prevent any marks during assembly.



04

 Bx2



# ASSEMBLY INSTRUCTION

05

Ax4 Cx2 Ex4 Fx1

