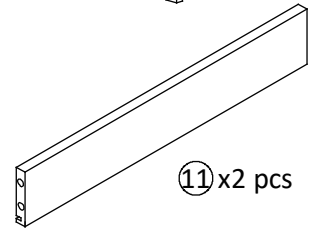
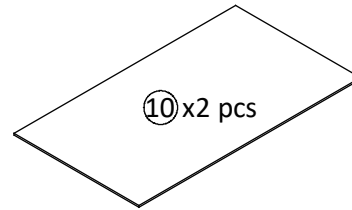
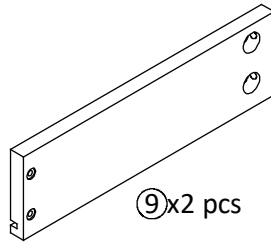
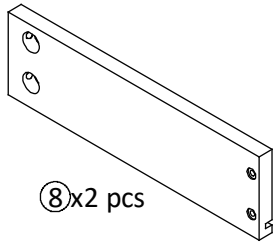
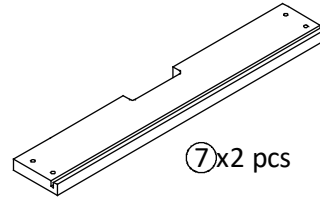
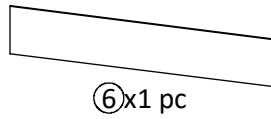
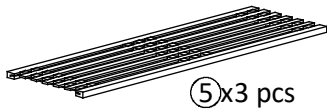
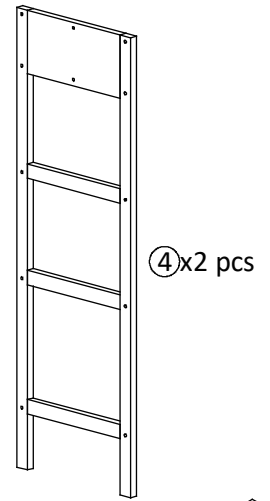
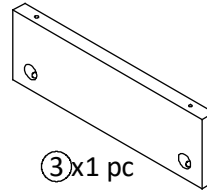
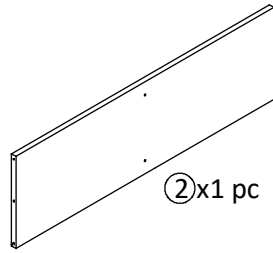
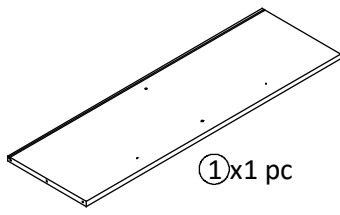
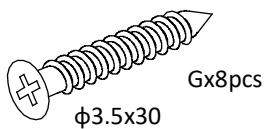
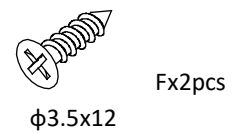
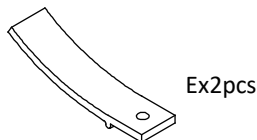
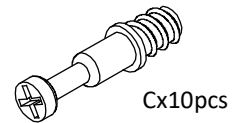
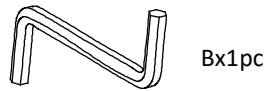
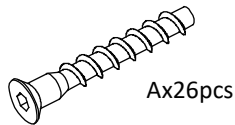


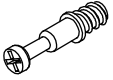
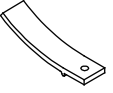

Parts Checklist

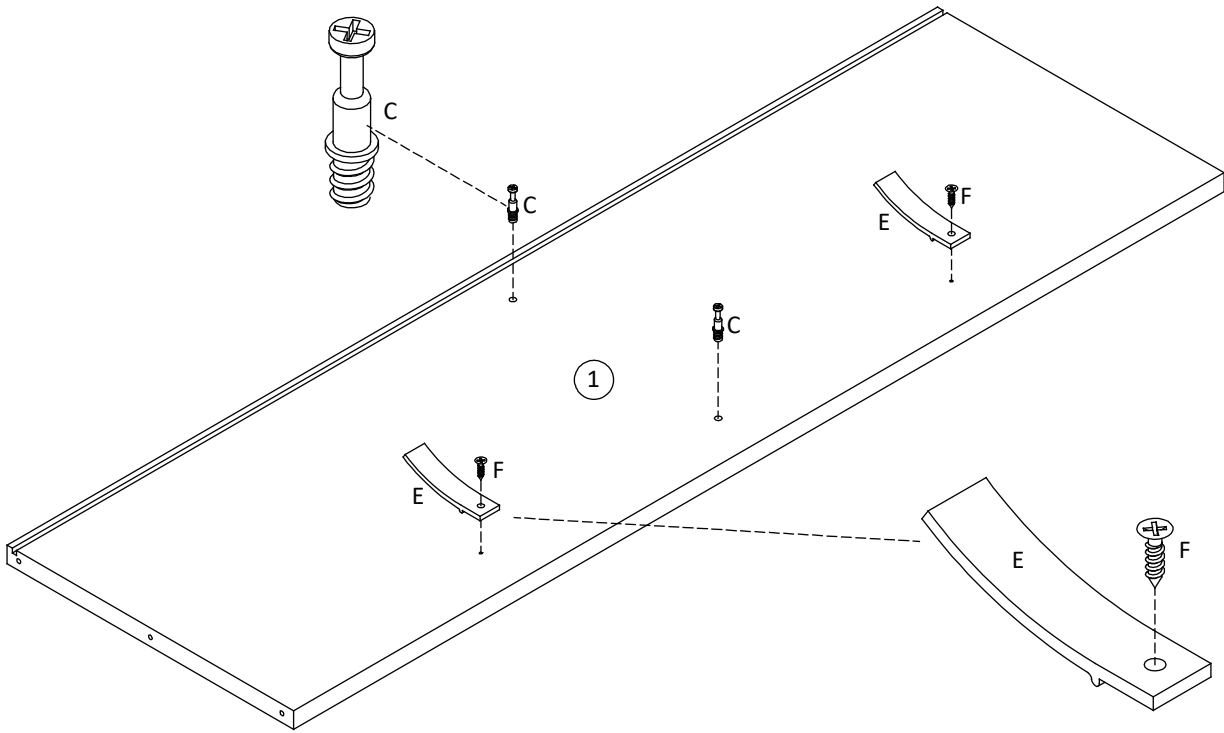


Fittings Checklist



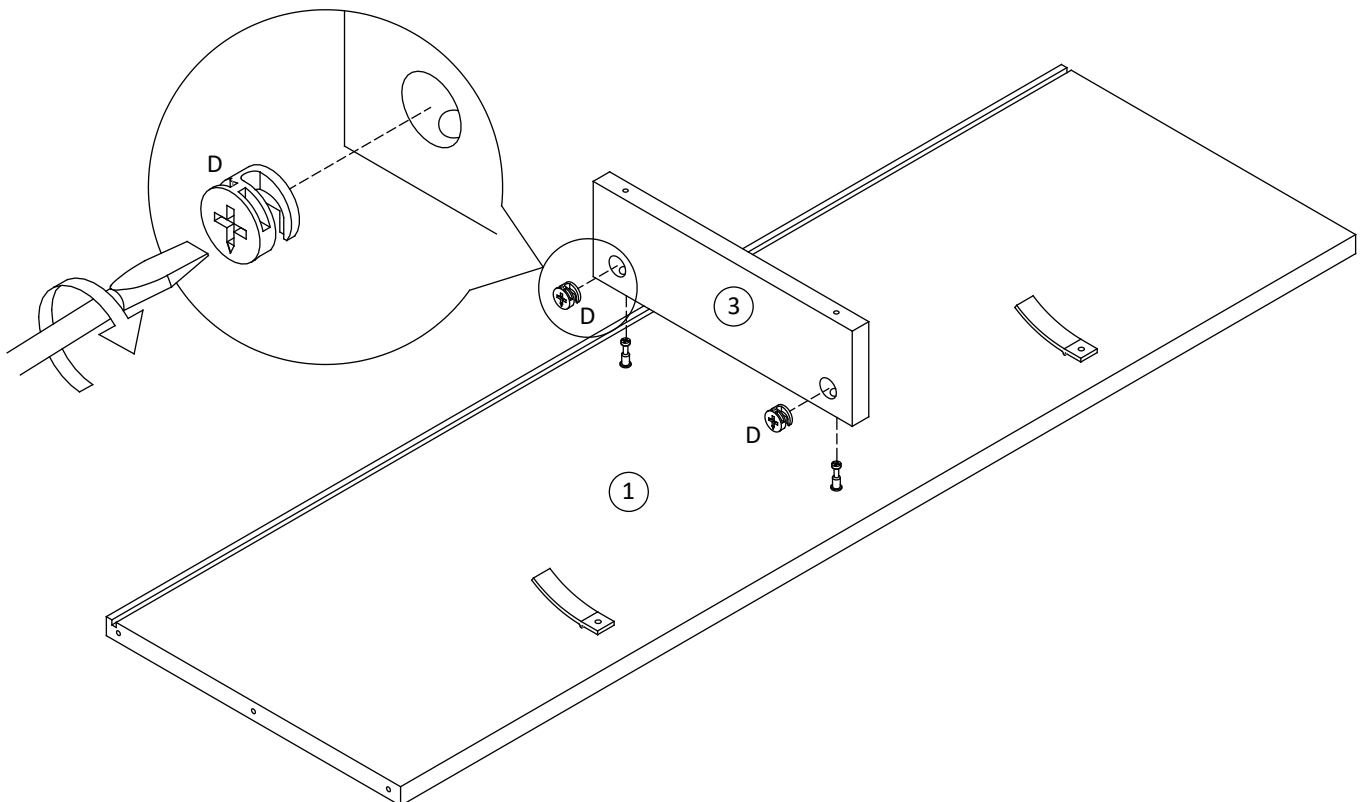
1

 Cx2	 Ex2	 Fx2 φ3.5x12	
--	--	---	--



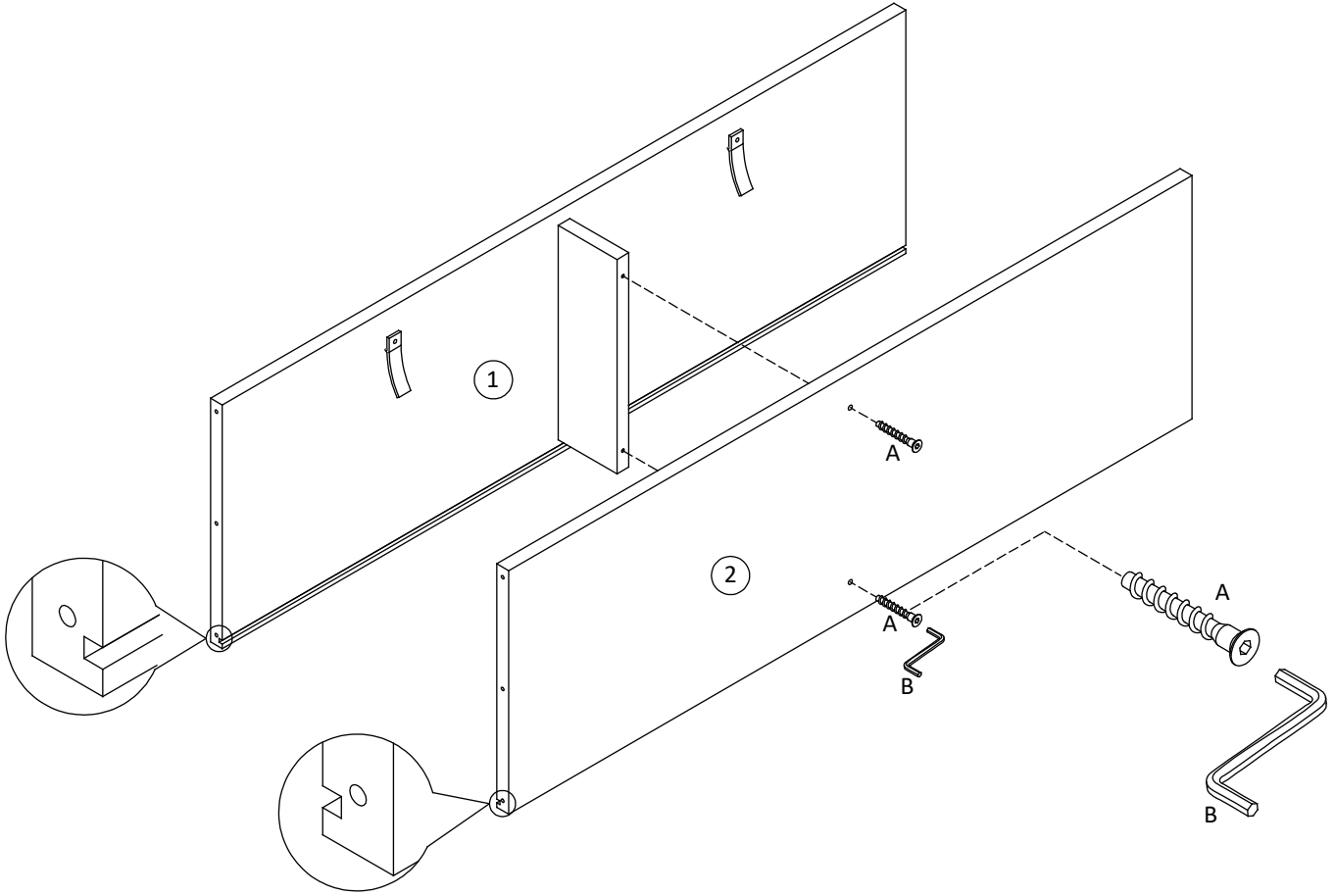
2

 Dx2	
---	--



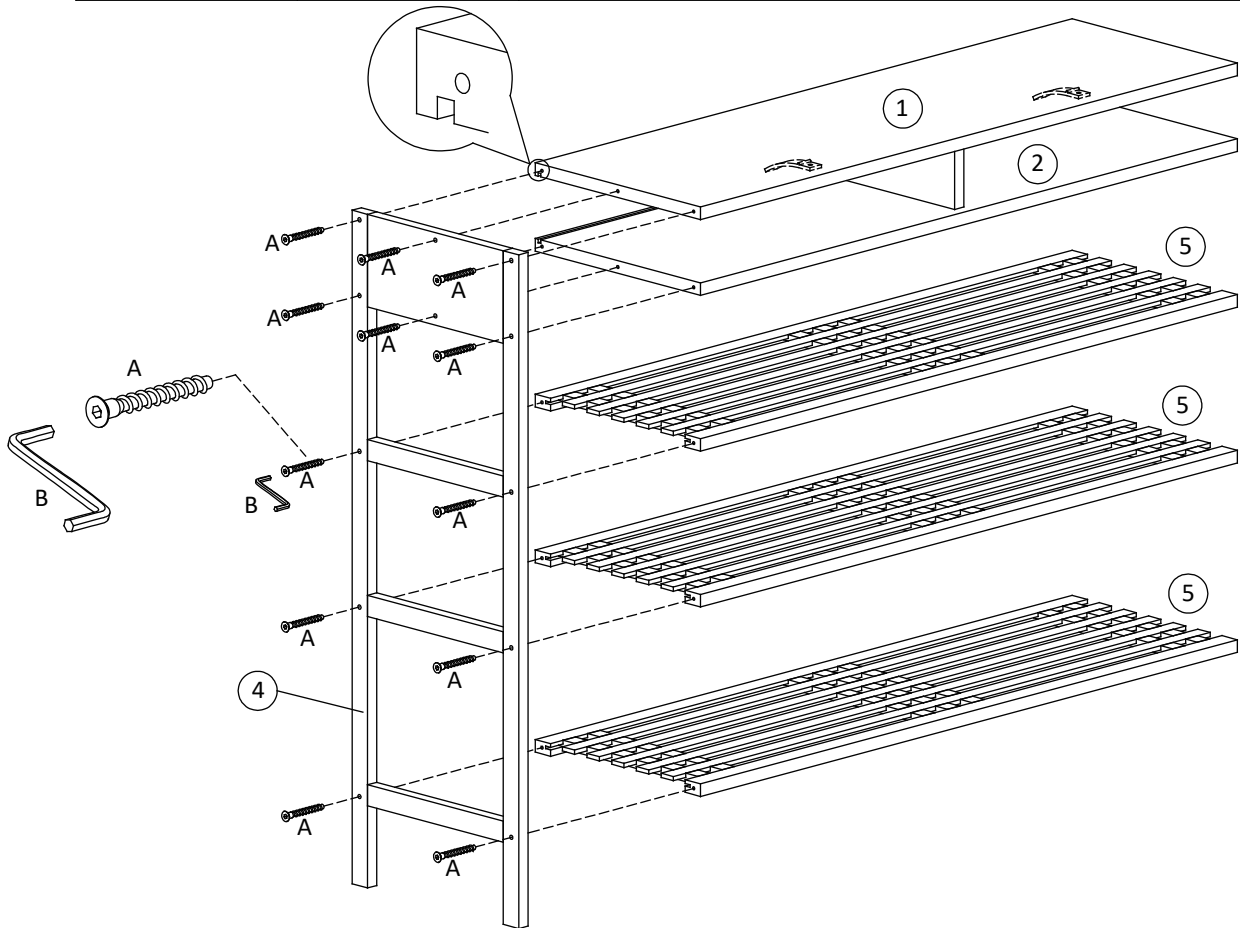
3

	Ax2		Bx1
--	-----	--	-----

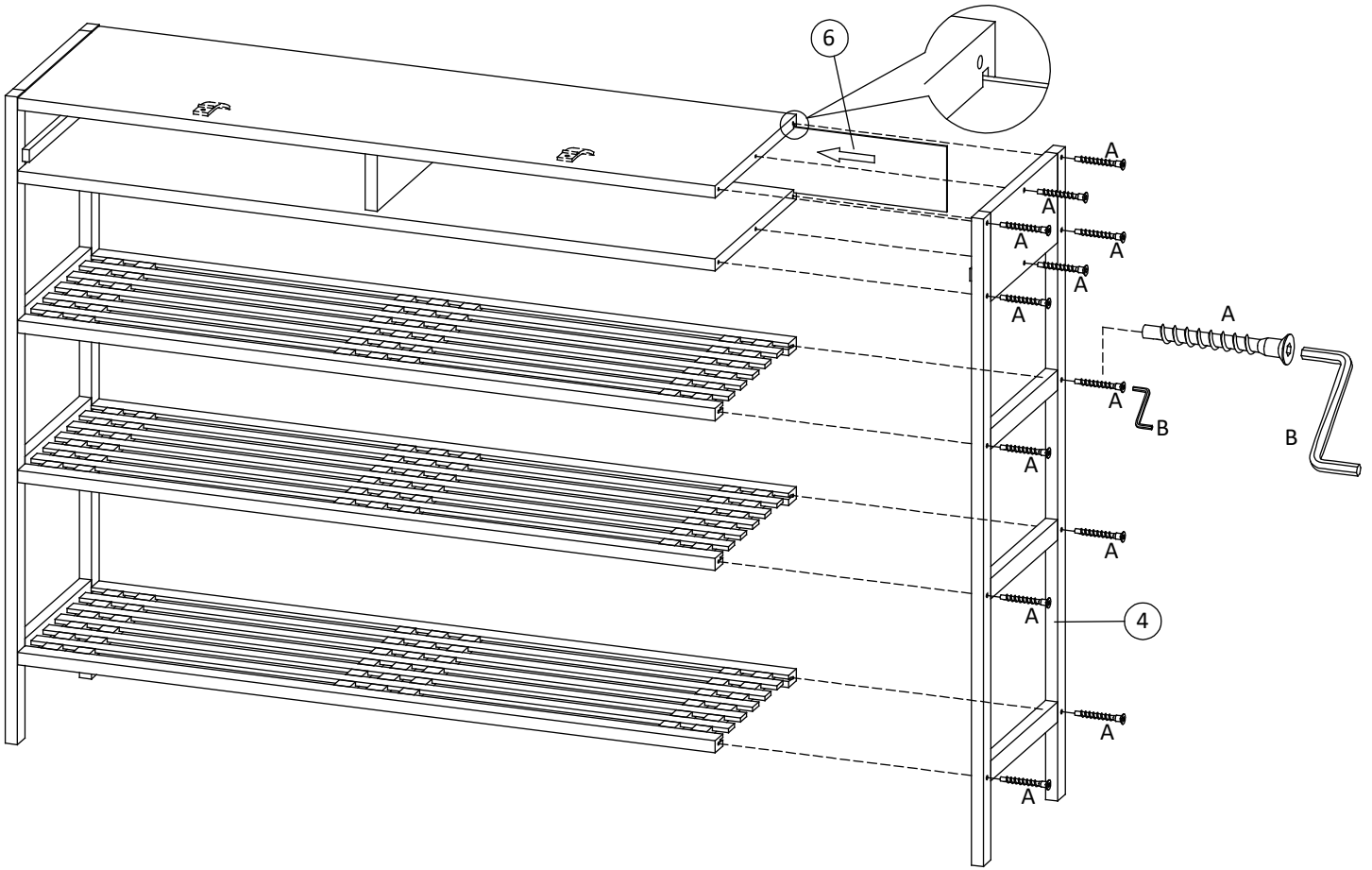


4

	Ax12		Bx1
---	------	---	-----



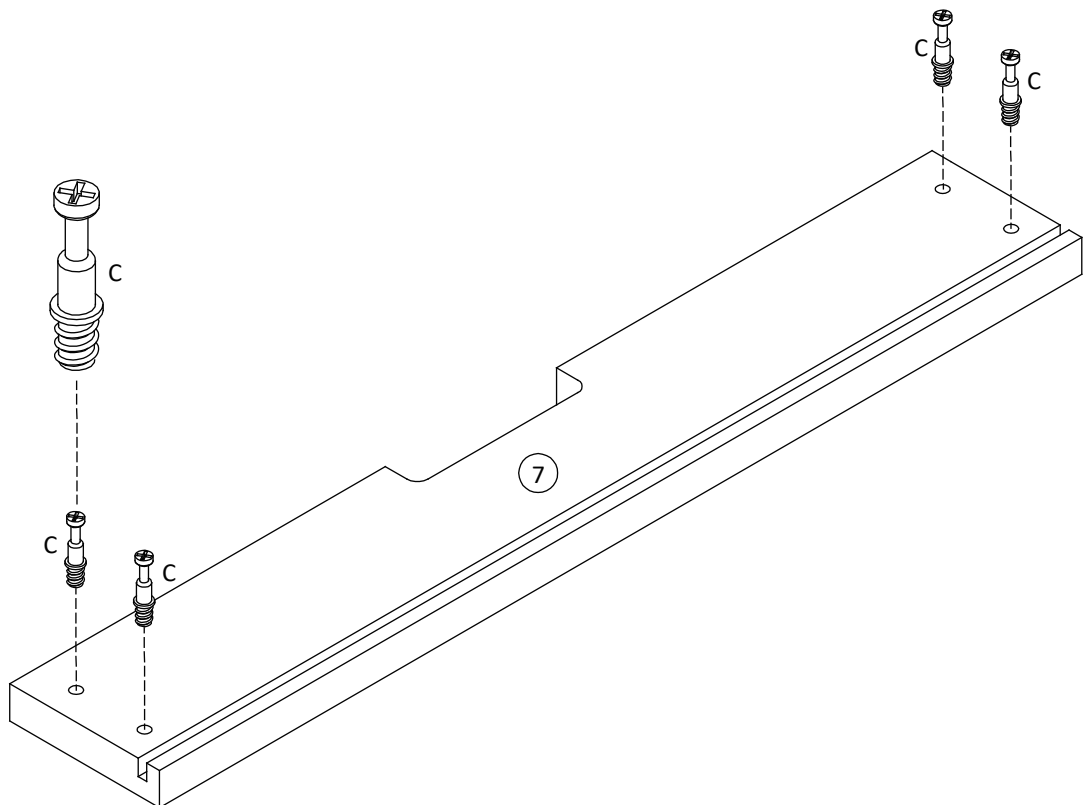
5



6



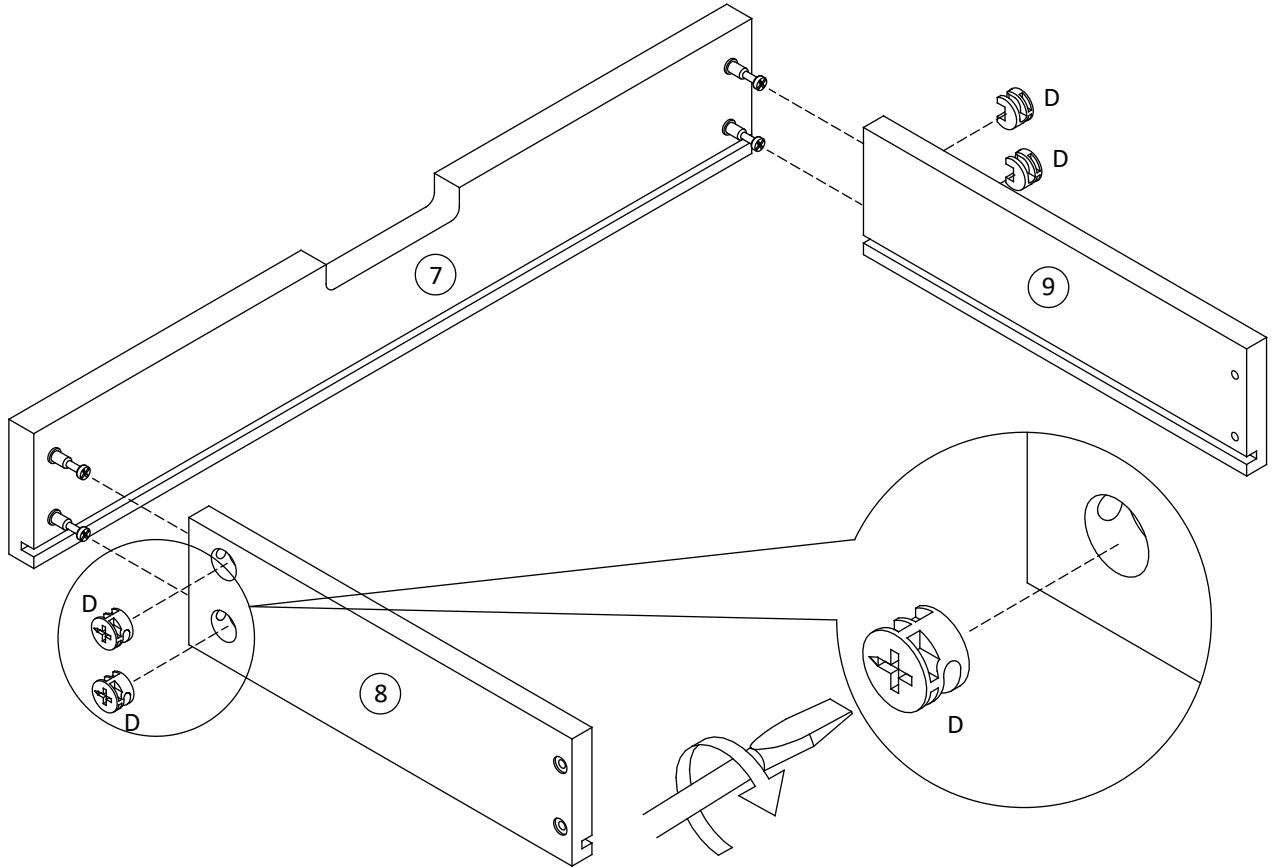
Repeat Steps 6 - 9 to assemble both drawers



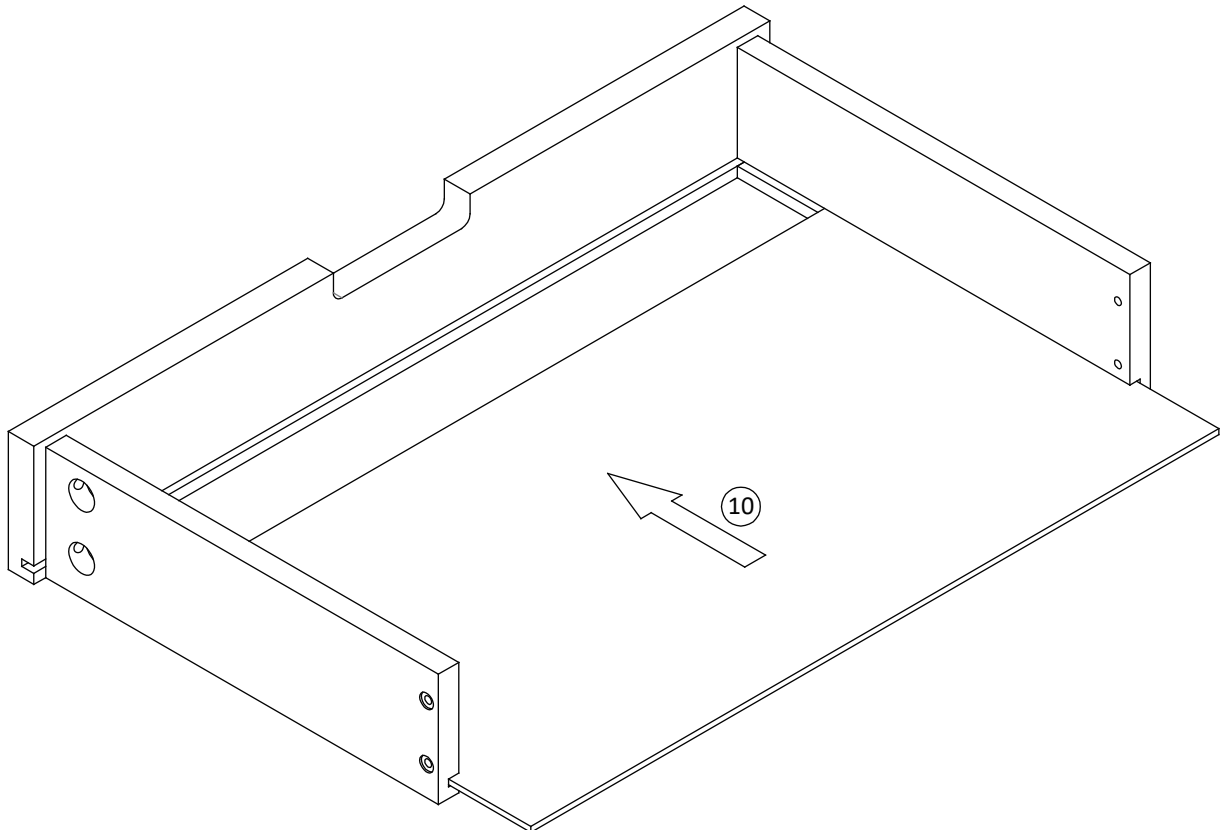
7



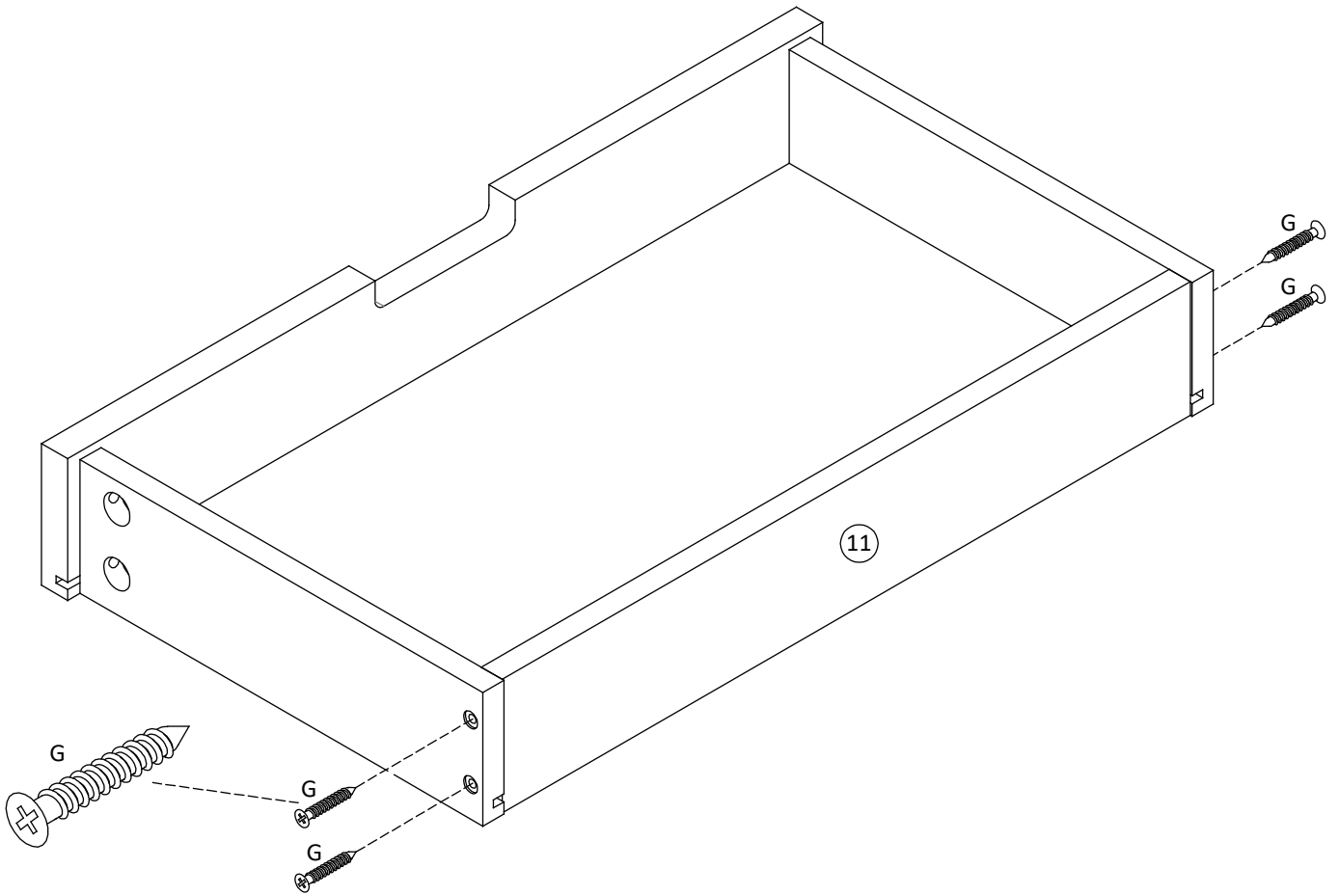
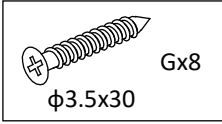
Dx8



8



9



10

