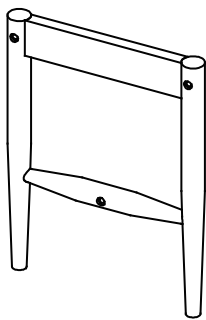
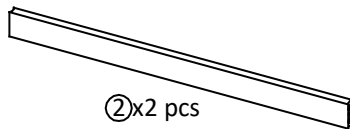


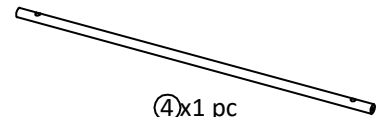
# Parts Checklist



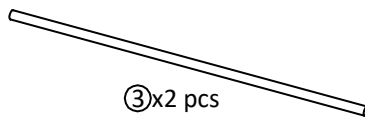
①x2 pcs



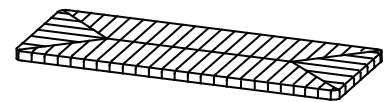
②x2 pcs



④x1 pc

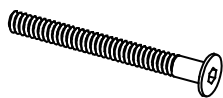


③x2 pcs



⑤x1 pc

# Fittings Checklist



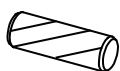
A x6 pcs



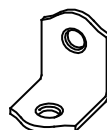
B x6 pcs



C x1 pc



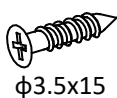
D x8 pcs



E x4 pcs



F x4 pcs



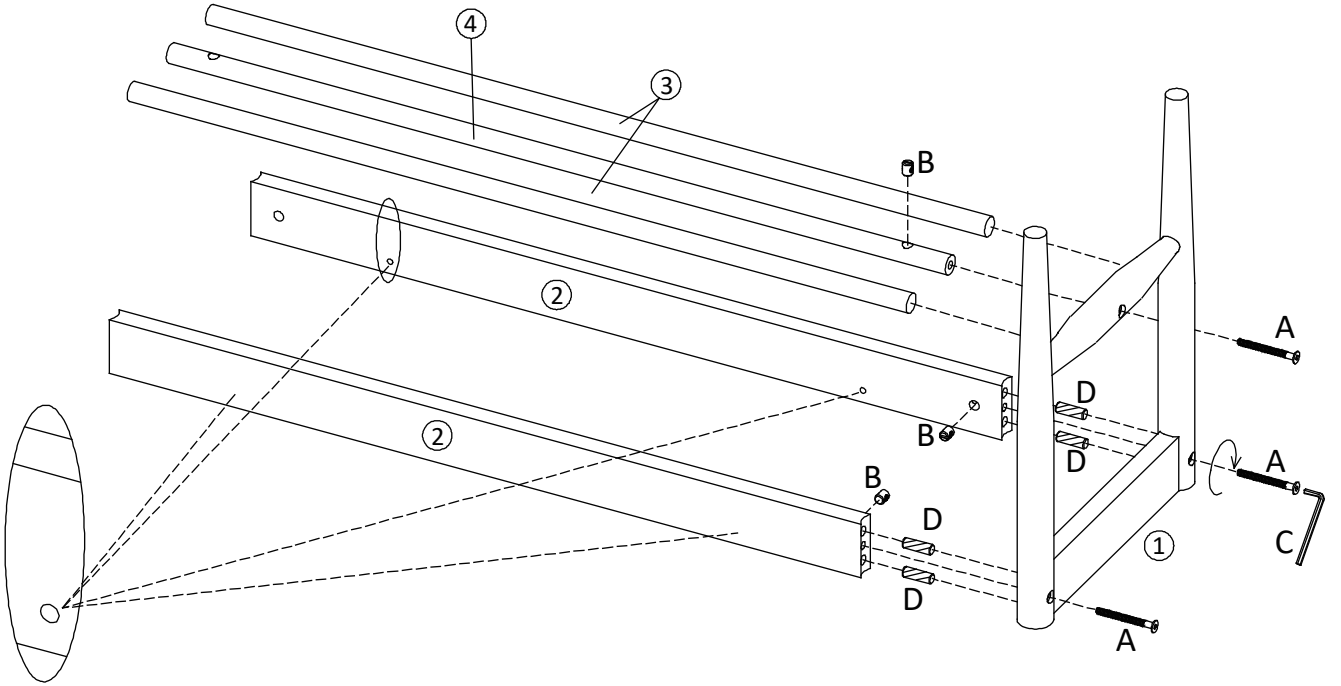
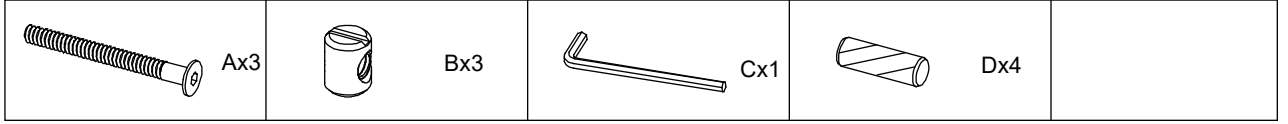
φ3.5x15

G x4 pcs

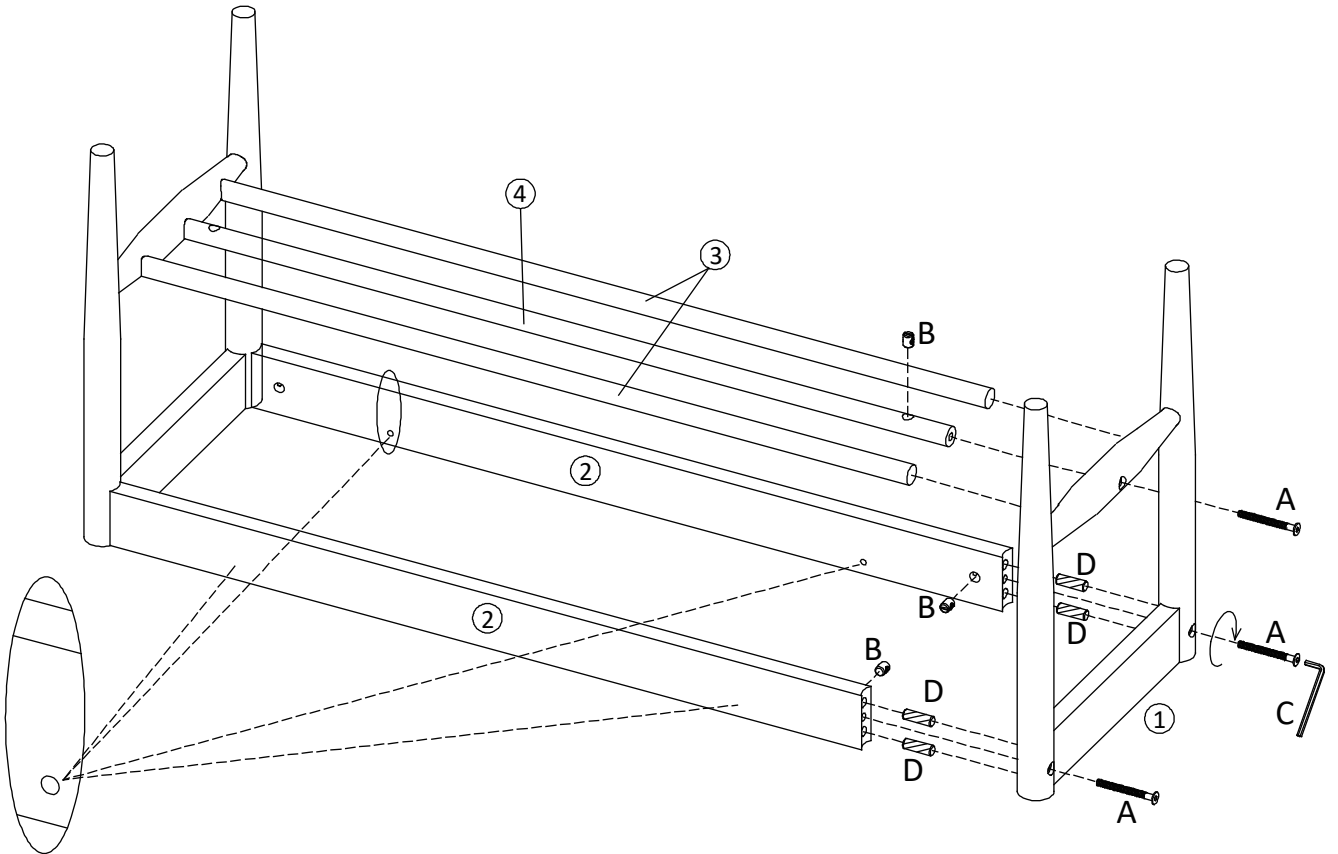
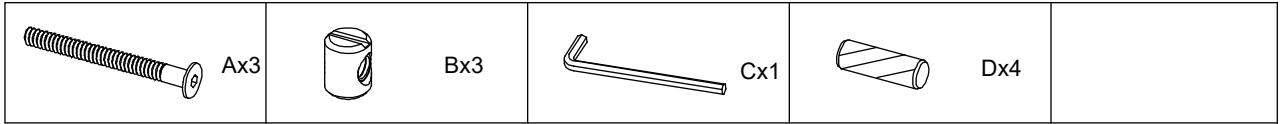


H x4 pcs


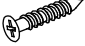
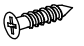

# 1

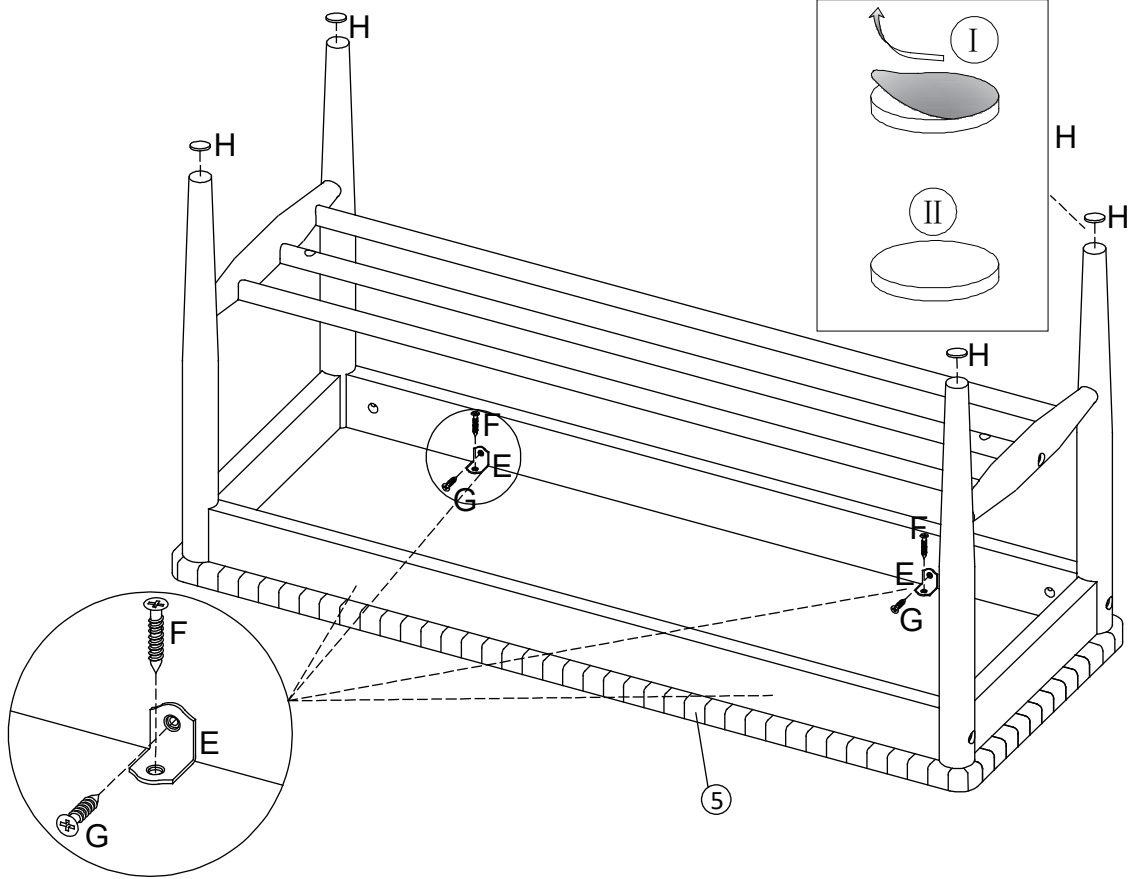


# 2



# 3

	Ex4		Fx4 φ3.5x20		Gx4 φ3.5x15		Hx4
---	-----	---	----------------	---	----------------	---	-----



# 4

