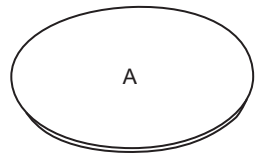
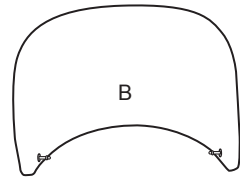


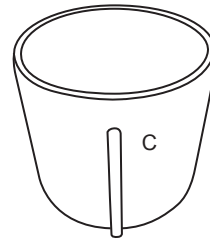
Assembly Instructions



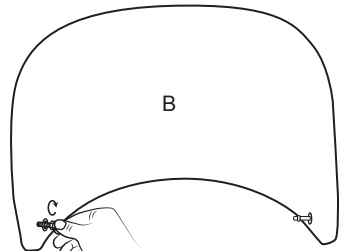
A x 1



B x 1

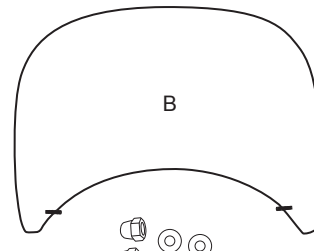


C x 1

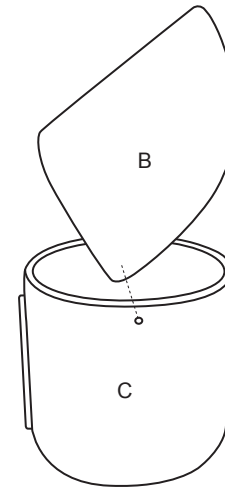


Unscrew nuts and washers on both sides

①

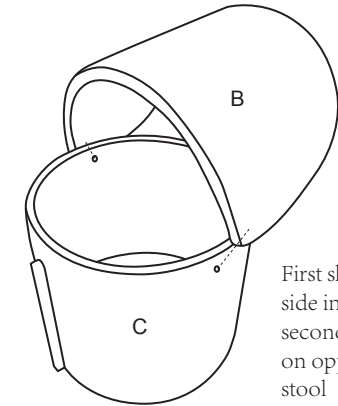


②



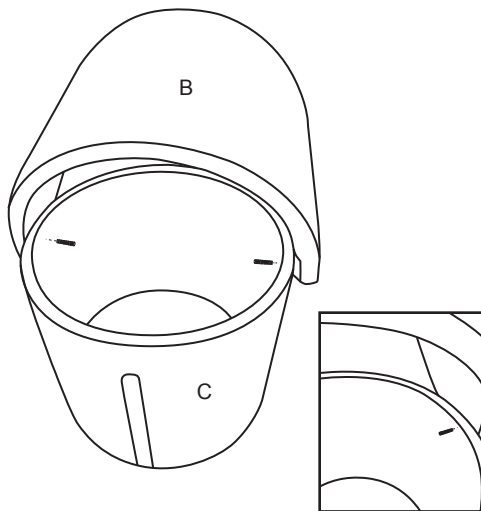
③

Line up threads of part B with holes in part C. Make sure to line up back of seat with back of stool that has the vertical strip down the stool back

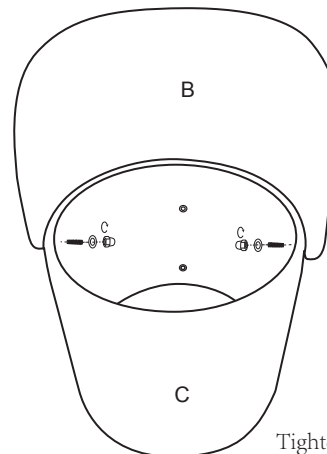


④

First slide thread of one side into hole, then slide second thread into hole on opposite side of stool

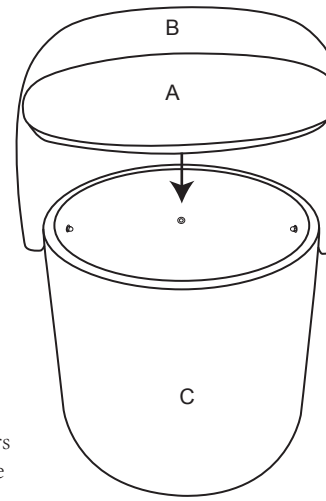


⑤

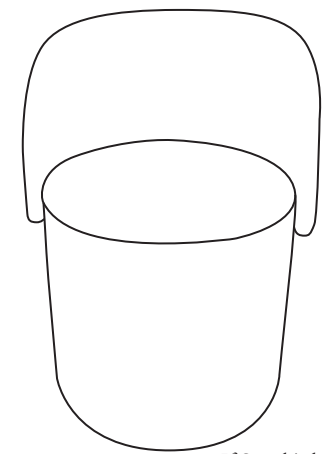


⑥

Tighten nuts and washers on both sides taking care not to overtighten



⑦



⑧

If Stool is left open or closed for an extended period of time the fabric may crease a little. This can be smoothed out by hand or by using a steamer