






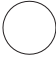




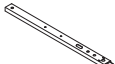
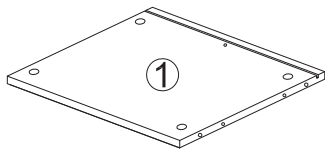


# ASSEMBLY INSTRUCTIONS **FUTON**

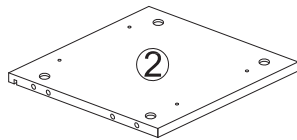
C O M P A N Y

## ST CAB HALE

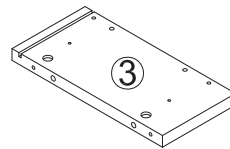
A	B	C	D	E	F	G
						
16 PIECES	16 PIECES	12 PIECES	4 PIECES	4 PIECES	4 PIECES	8 PIECES
H	I	J	K	L	M	
						
4 PIECES	2 PIECES	1 PIECE	1 PIECE	1 PIECE	2 PIECES	



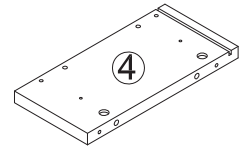
X1



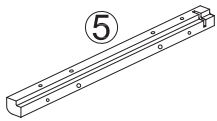
X1



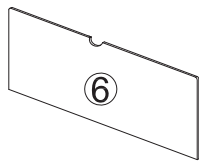
X1



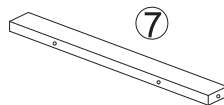
X1



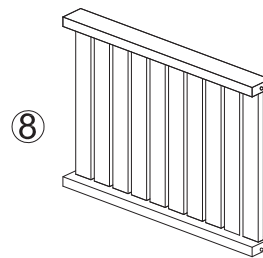
X2



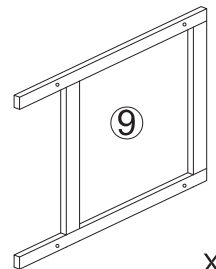
X1



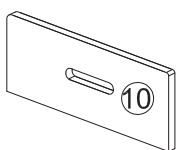
X2



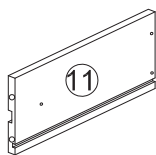
X1



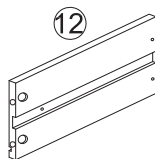
X2



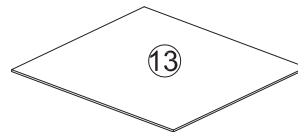
X1



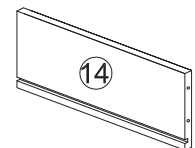
X1



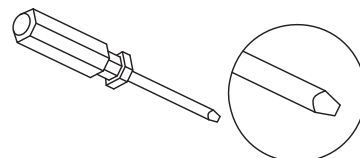
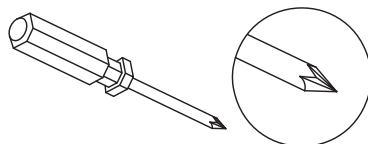
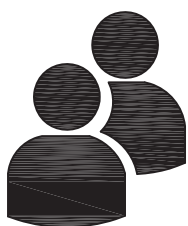
X1



X1

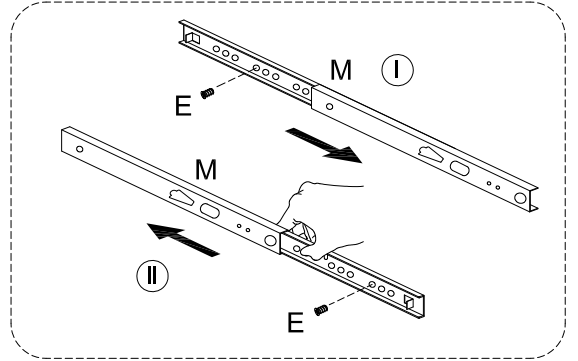
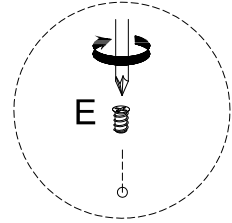
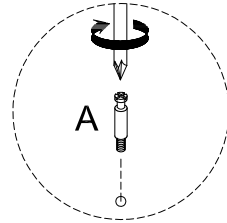
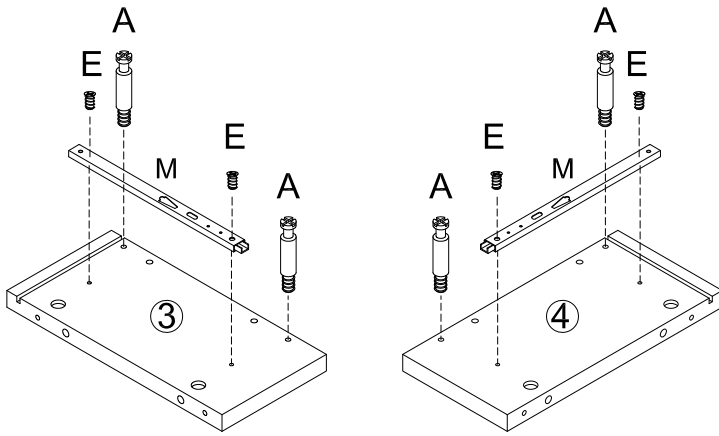


X1



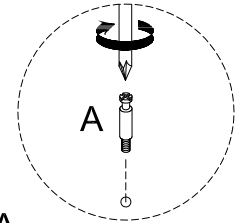
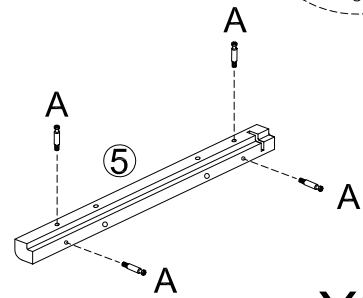
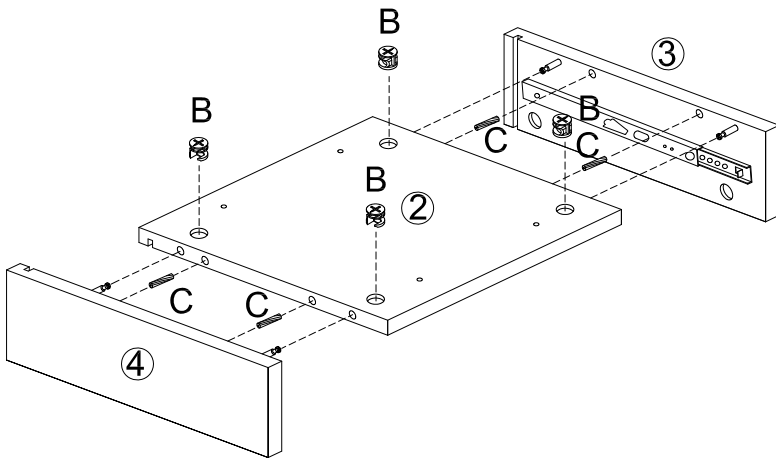
Allow 60 minutes to assemble this item

1.



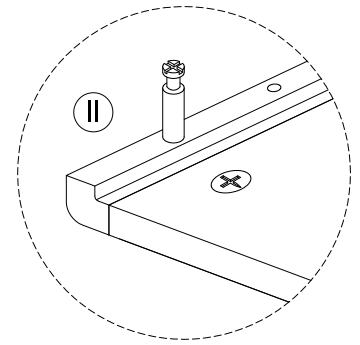
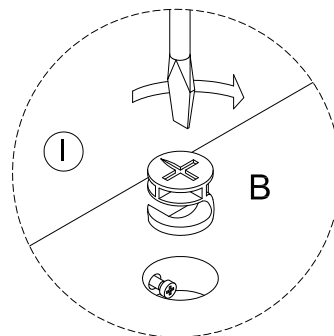
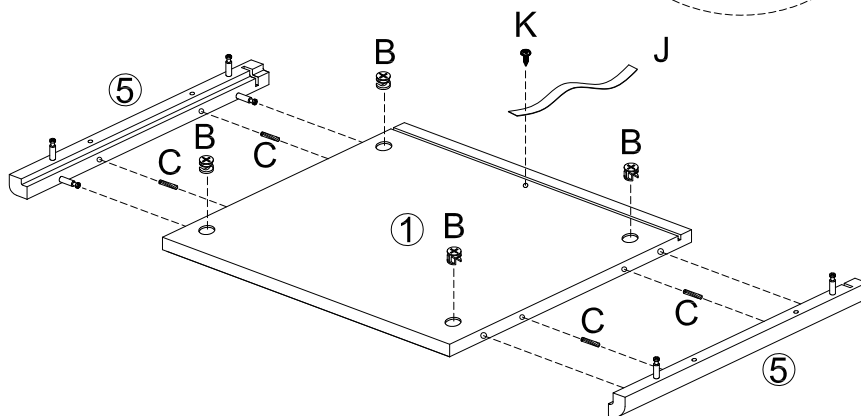
2.

3.

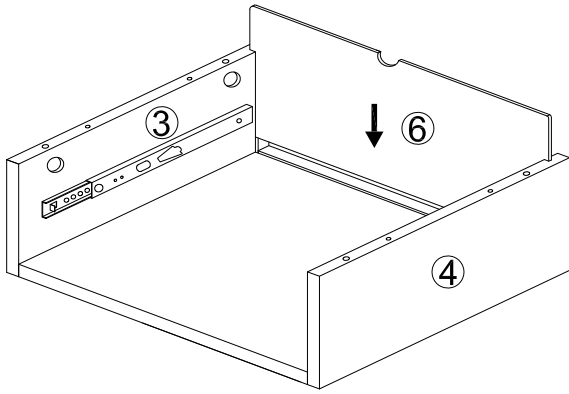


X2

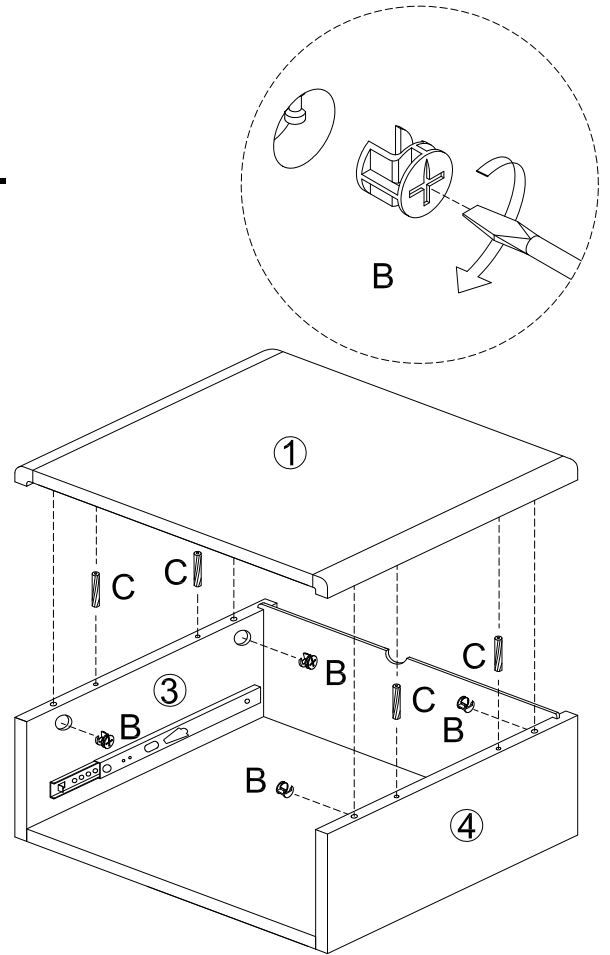
4.



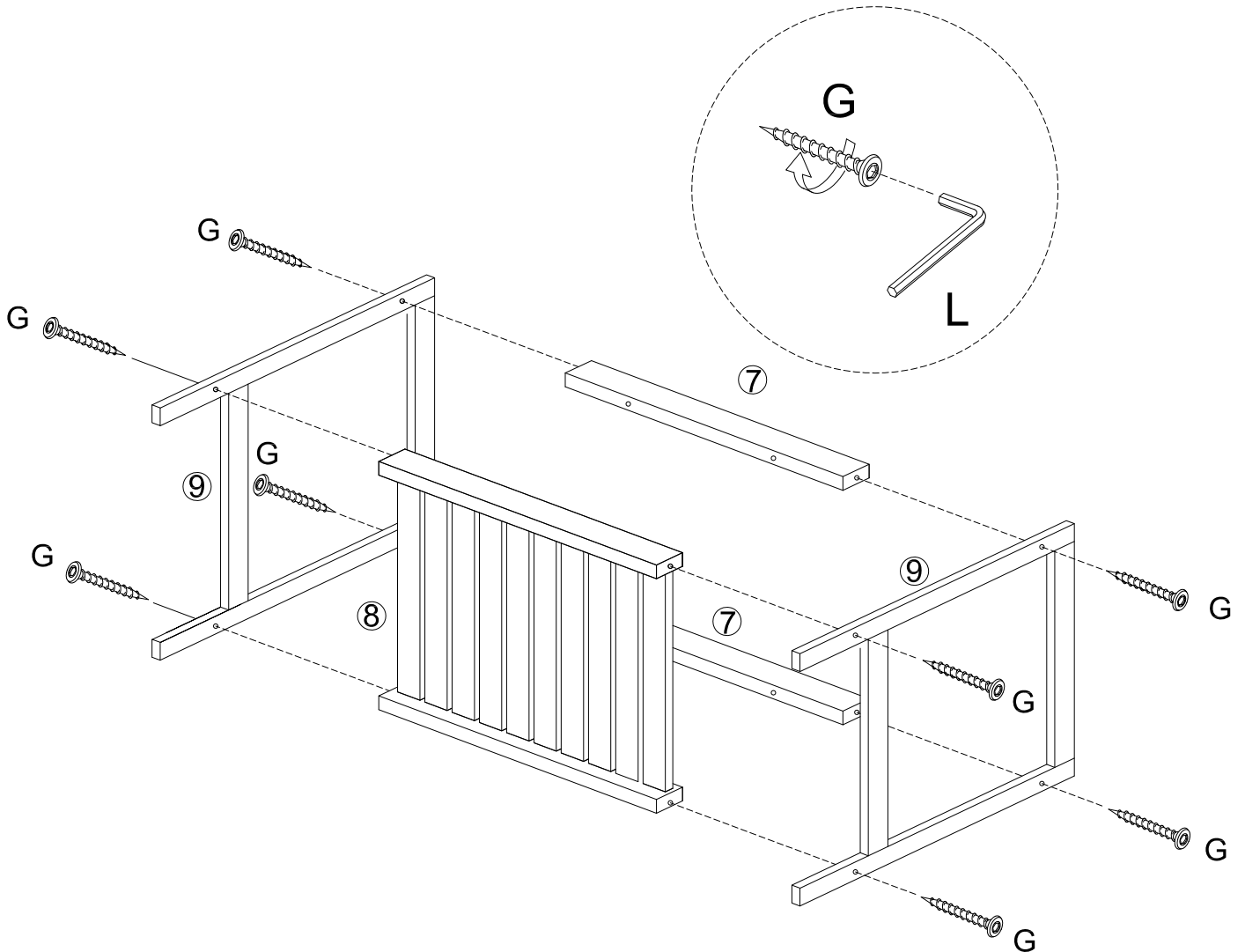
5.



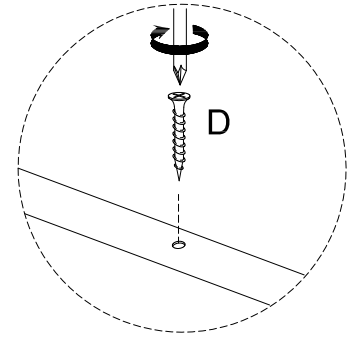
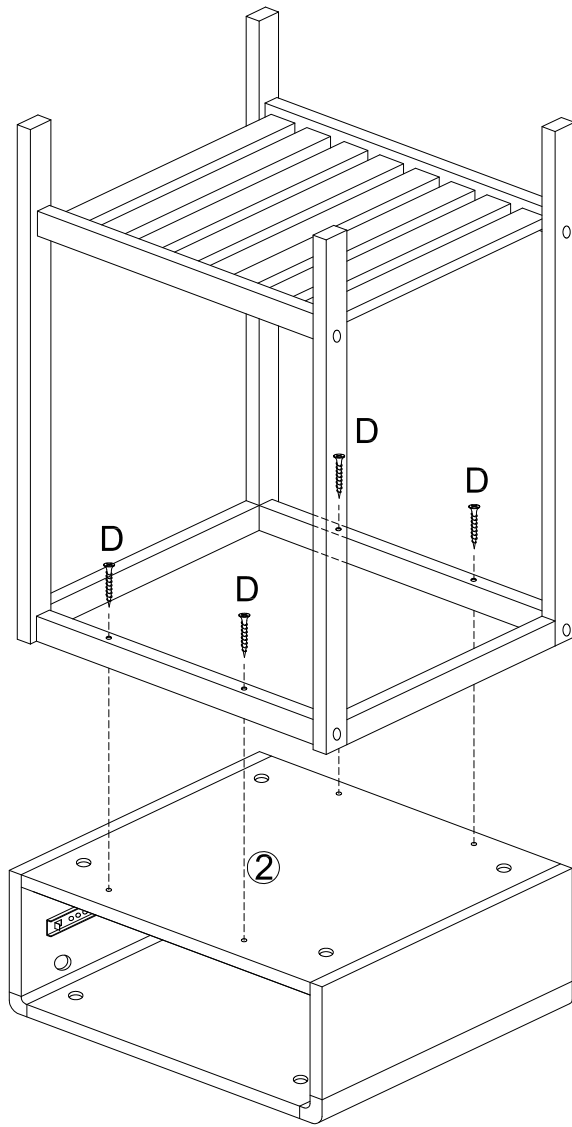
6.



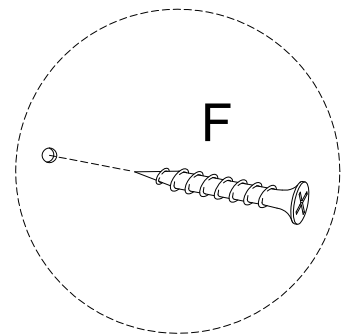
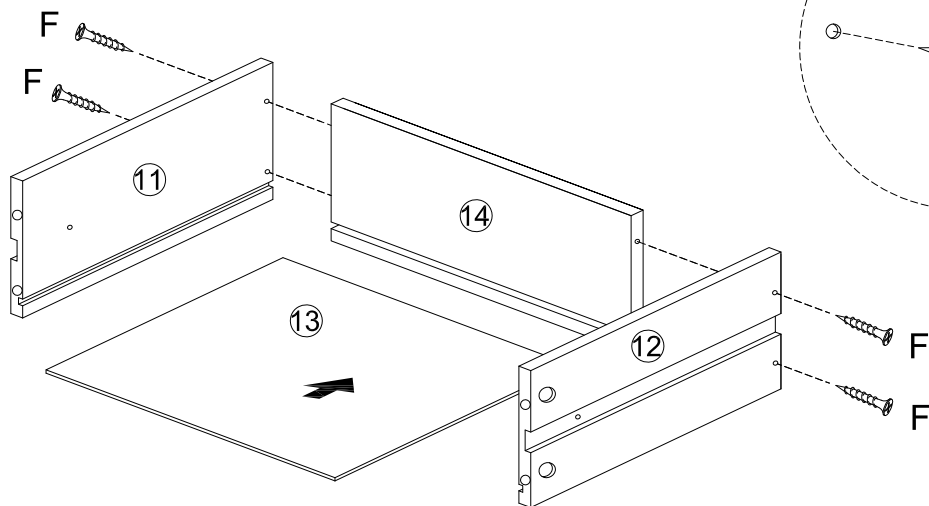
7.



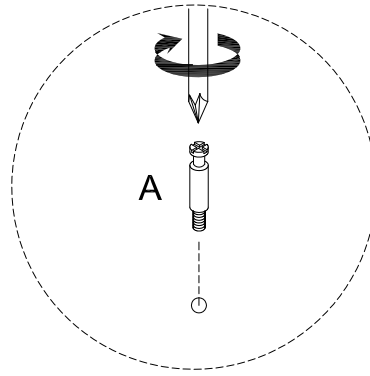
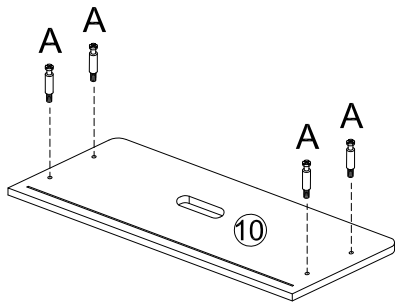
8.



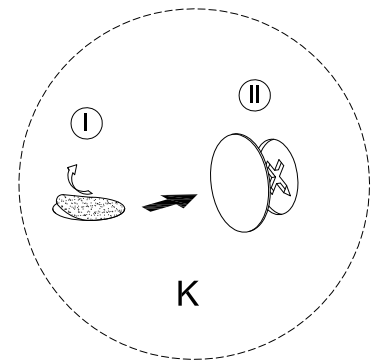
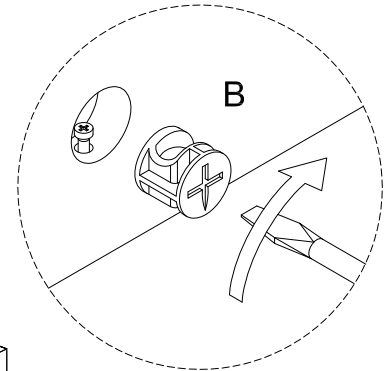
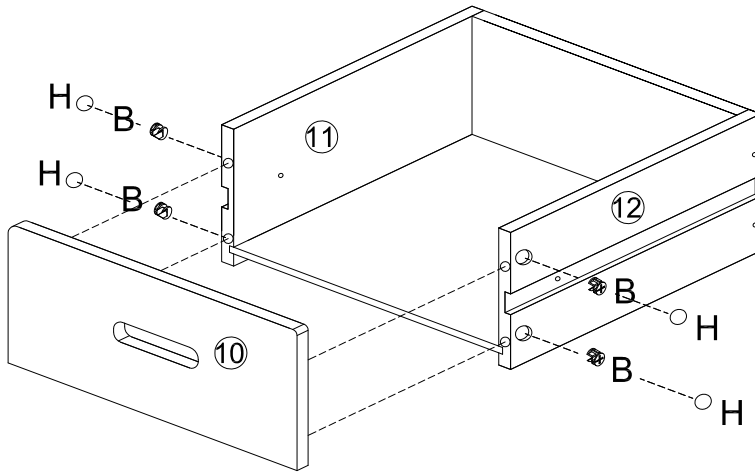
9.



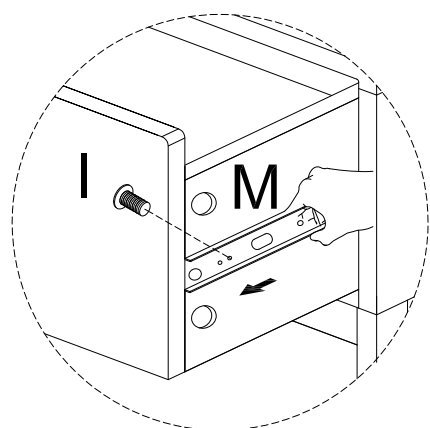
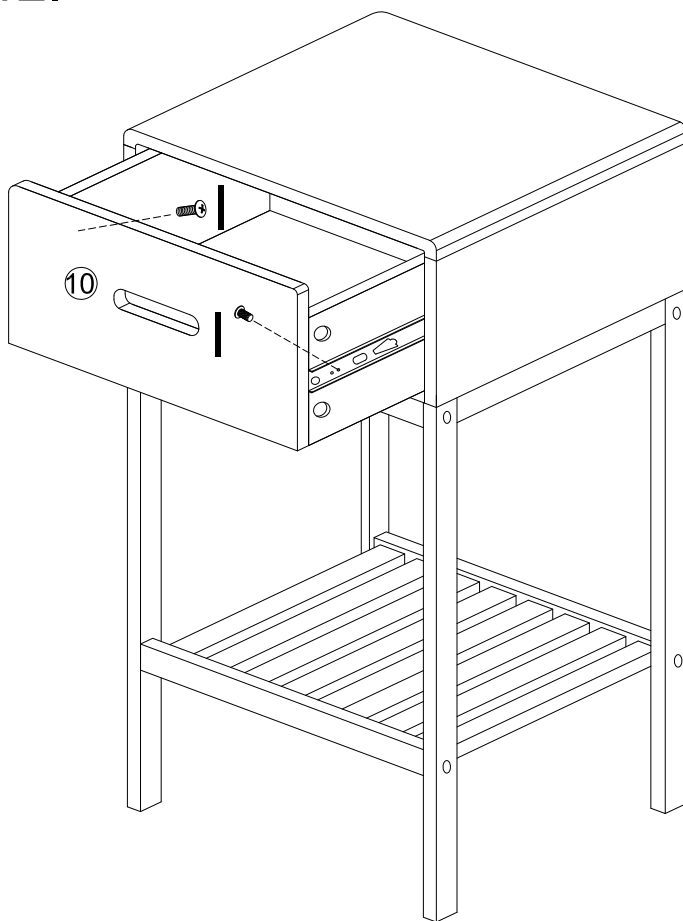
10.



11.

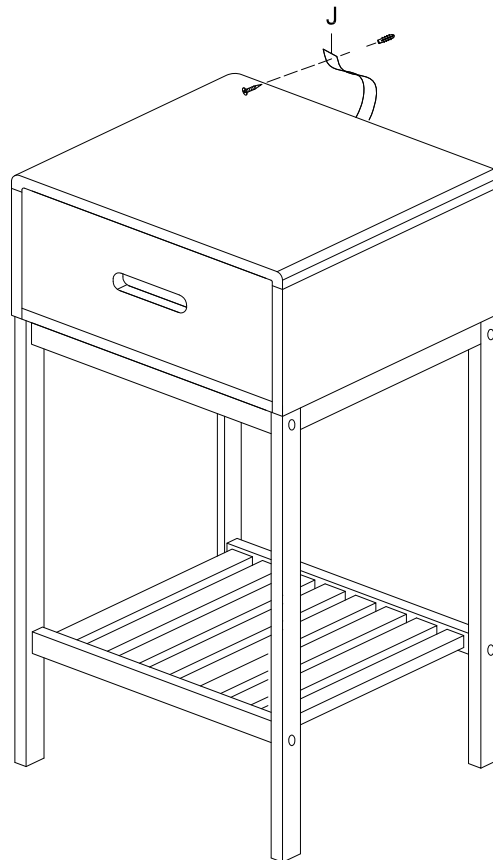


12.



to secure fitting I into drawer runner M tighten from the inside of drawer.

13.



**Fitting J should be used to secure your ST CAB HALE to the wall. Screws and fittings for wall are not supplied as different wall constructions require fittings that are suitable for your wall type. If you are unsure for the correct type of fitting for your wall, please contact your local specialised hardware store for information on suitable fitting.**