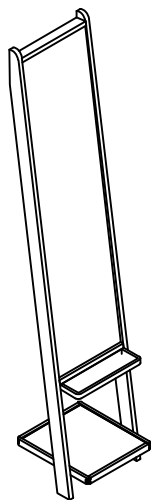


Assembly Instructions

Mirror - Leaning Oak (V4)

ROPO no:



PLEASE READ THESE INSTRUCTIONS VERY CAREFULLY BEFORE YOU BEGIN, TO ENSURE THAT YOUR FUTON COMPANY PRODUCT WILL GIVE YOU MANY YEARS OF SATISFACTION

Thank you for buying a Futon Company product.

We are constantly striving to improve everything we do, but occasionally mistakes do occur. In the unlikely event that you find any part missing, please call your nearest Futon Company store and we will arrange for the despatch of an immediate replacement. Please keep all packaging until you have checked every part and assembly of your Futon Company product is complete.

Version number: 1

Product code: ST LN MIR V4

Date: 23/11/23

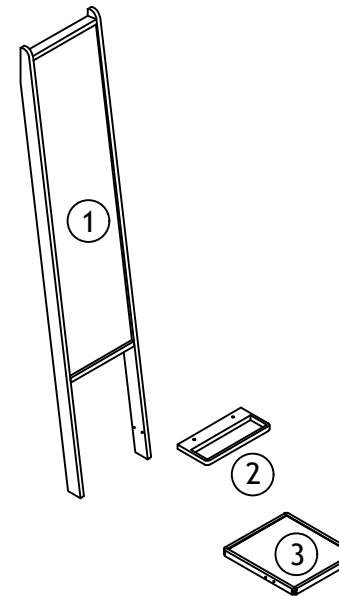
experts in small space living



Parts Checklist




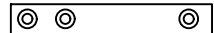

Please count and check every component very carefully before you begin

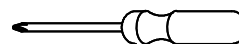
- ① Mirror x 1
- ② Tray x 1
- ③ Shelf x 1



Parts Checklist

Please count and check every component very carefully before you begin

- (a)  Allen Head Bolt x 6
- (b)  Allen Key X 1
- (c)  Screw x 1
- (d)  Wall Leash x 1
- (e)  Anti-slip pad x 4

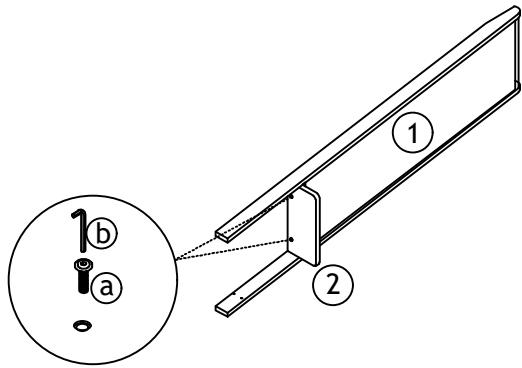


* Cross head Screwdriver also required for assembly

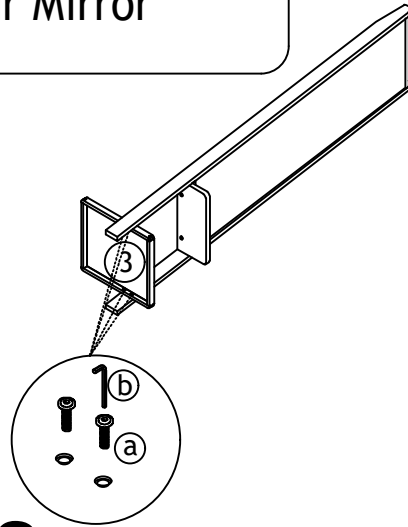


How To Assemble Your Mirror

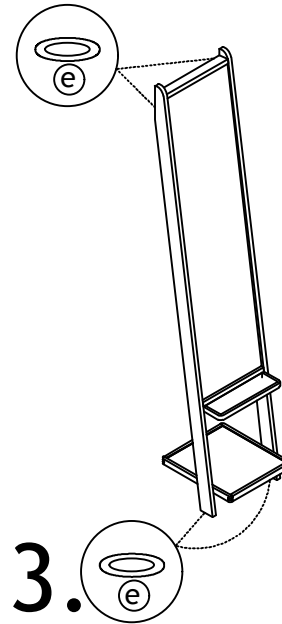
Please follow these instructions carefully



1.



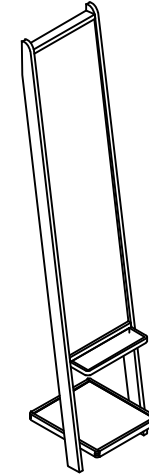
2.



3.

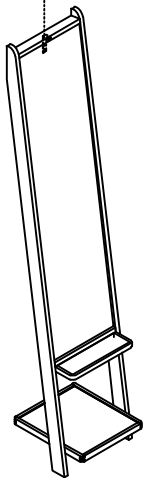
FUTON

COMPANY

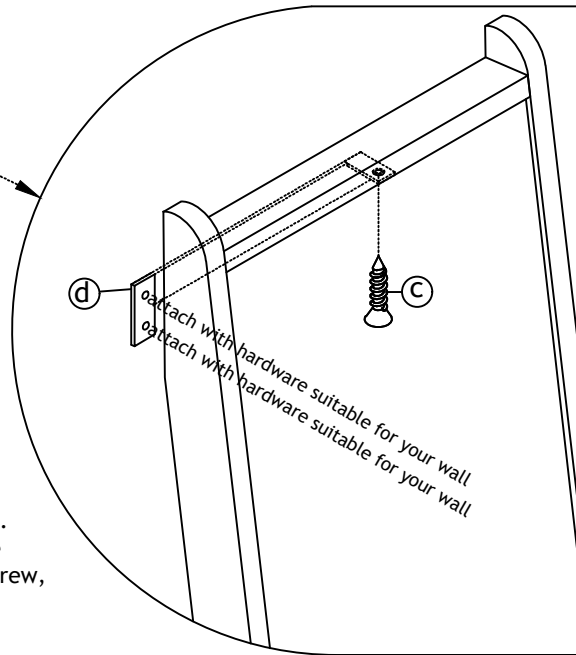


4.

IMPORTANT! a wall leash must be used with this product



1. Before moving the unit into place establish the correct height to attach the 'wall leash' to the wall.
2. Attach the two hole end of the leash to the wall with hardware suitable for your wall. Screw fixings to attach the leash to the wall are not included as different wall materials require different types of fixing. Contact your local specialised hardware store for advice on suitable fixing.
3. Move mirror into place. Attach the one hole end of the leash, with the supplied wood screw, on the underside of the top mirror rail.



How To Use

Please read carefully

CARE

To clean your Mirror, wipe with a damp cloth followed by a dry cloth.

IMPORTANT

To ensure maximum performance from this product, we advise that you check and tighten all bolts and screws on a regular basis to avoid damage and strain to parts.

GUARANTEE

This instruction leaflet forms part of your guarantee. Please retain it. The ROPO number along with your invoice number will need to be quoted in all correspondence with Futon Company.

Thank you for choosing Futon Company.