

Installation and User instruction

Please read these instructions before using your lamp and keep for future reference.

CAUTION

- Input 220-240V - 50Hz. The maximum that can be used is 28W halogen bulb (recommended bulb is LED 8W MAX to prolong the life of the lamp and avoid overheating)
- Before connecting to power source, make sure the voltage is 220V to 240V as marked on the product label.
- Do not connect to power source during bulb installation.
- If the ON/OFF switch is damaged or faulty, ensure the lamp remains unused and is professionally repaired to avoid any potential hazards.
- Bulb not Included.
- This lamp is a class II product (double insulated) and must not be earthed. If in doubt we recommend consulting a qualified electrician.



This product is fitted with a 3-amp fuse plug. It should not be modified in any way. Any type of modification to the lamp, including tampering with the plug will invalidate the warranty and may cause the product to be unsafe.

WARNING

- This product is for indoor use only.
- This product is not a toy.
- Not suitable for children under 6 years old.
- Always operate this lamp on a firm and stable surface
- The external cable of this lamp is not replaceable. If the cable is damaged the lamp should be destroyed.



INSTALLATION (Follow diagram below)

- 1) Remove lamp carefully from packaging.
- 2) Fit recommended bulb, requires 1 x E27 LED 8W MAX bulb (not included). We highly recommend an energy saving bulb to prolong the life of the lamp and avoid overheating.
- 3) Lamp is now ready to use. Plug in to power to test. To turn lamp on and off use the in line switch.
- 4) If the lamp doesnt turn on, unplug before investigating.

To replace Bulb, first unplug from the mains power supply, allow lamp to cool down before removing bulb. It is not recommended to touch bulb directly with fingers. Use a cloth to hold the bulb. Gently unscrew bulb and remove from lamp and then replace with a bulb of the same voltage and wattage.

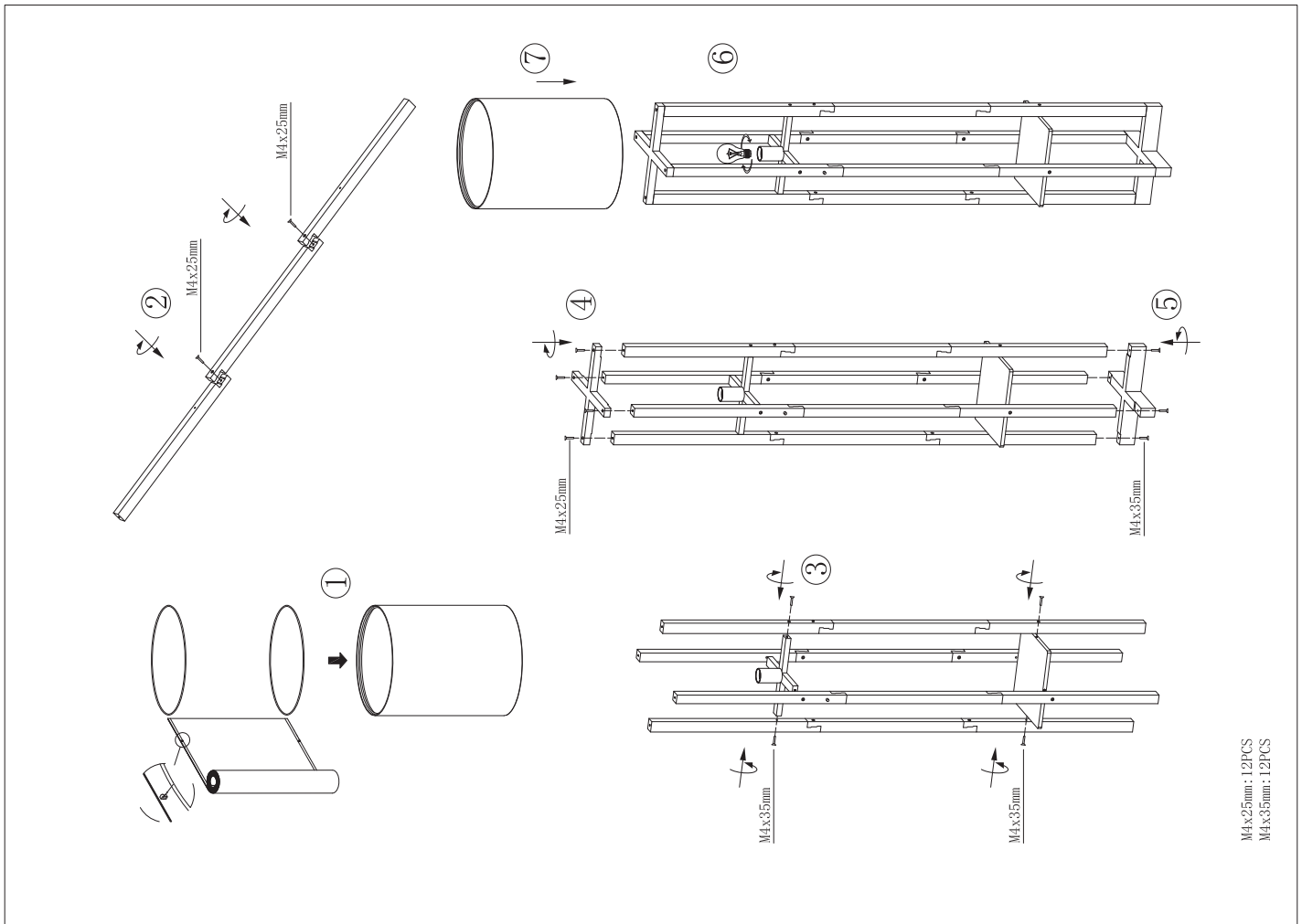
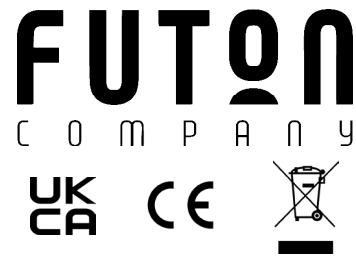
To clean lamp first unplug from the mains power supply. Use a soft dry cloth to clean. Do not clean with abrasive cloths or polishes.

WARNING - THIS LAMP CAN GET VERY HOT DURING USE. CAUTION MUST BE TAKEN MAINTAINING, CLEANING OR ADJUSTING THE LAMP.

WARNING - DO NOT USE THIS LAMP IN A DAMP ENVIRONMENT

WARNING - LAMP NOT INTENDED FOR USE BY PERSONS (INC CHILDREN) WITH REDUCED PHYSICAL, MENTAL AND SENSORY CAPABILITIES, OR INSUFFICIENT EXPERIENCE AND KNOWLEDGE, UNLESS SUPERVISION OR INSTRUCTION IS GIVEN CONCERNING THE USE OF THE LAMP BY PERSONS- RESPONSIBLE FOR THEIR SAFETY.

Futon Ltd, Unit A2 Circular Point, Hickman Avenue, Highams Park London E4 9JG



M4x25mm: 12PCS
M4x35mm: 12PCS