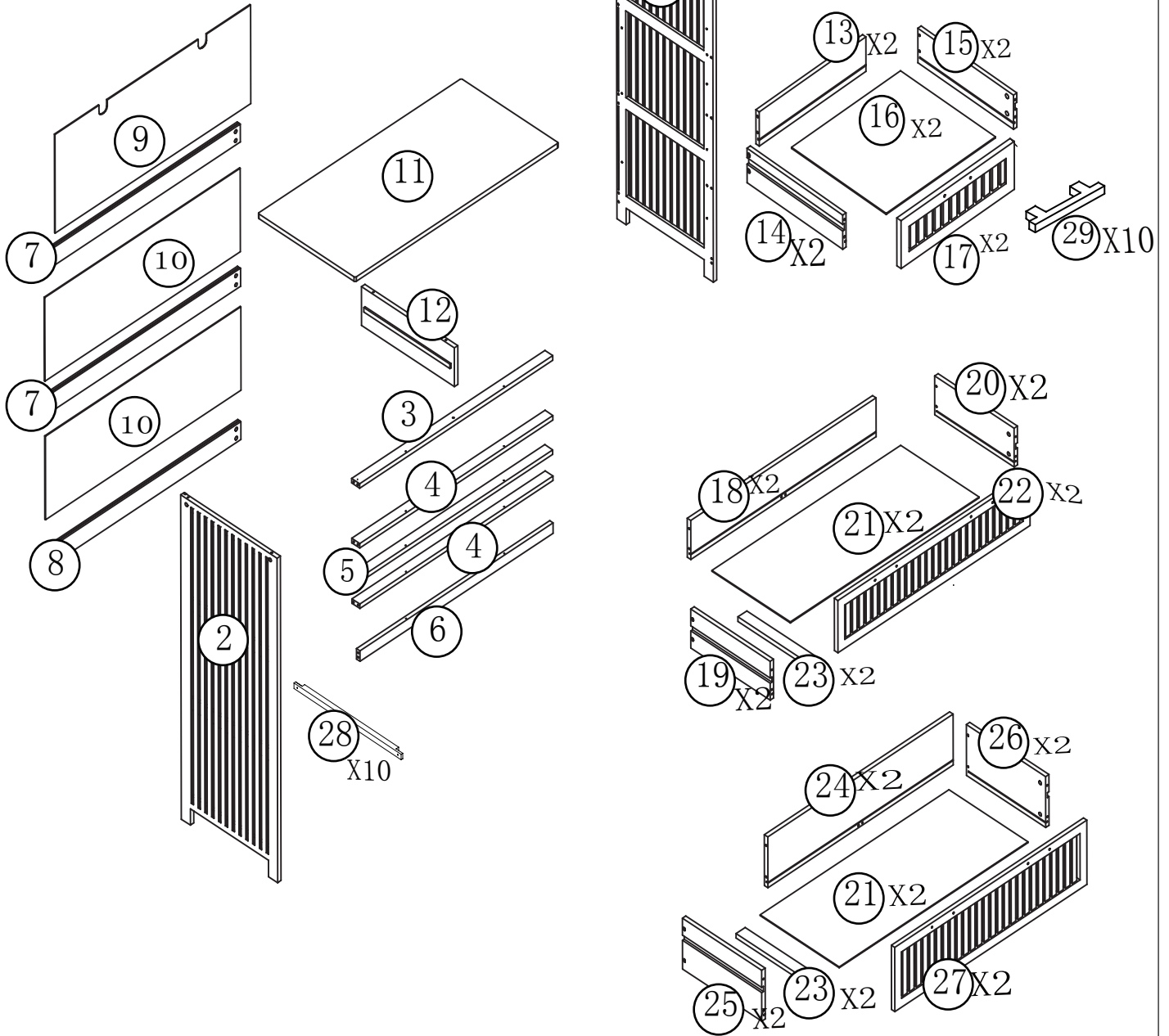



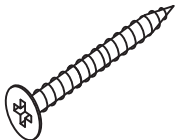


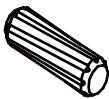
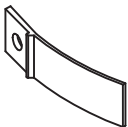


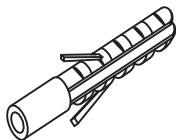
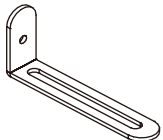
# FUTON

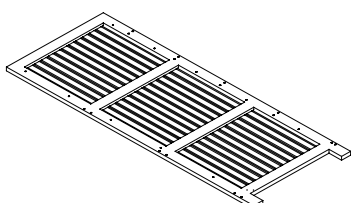
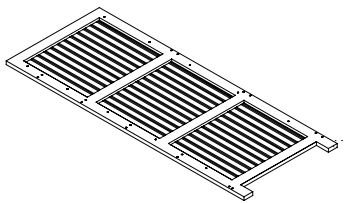
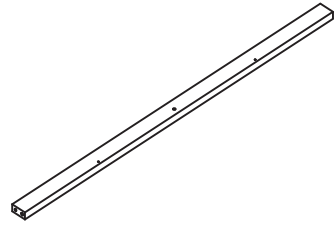
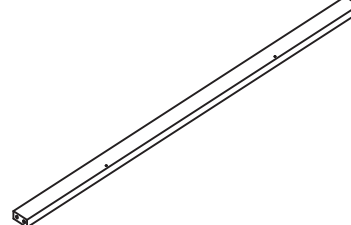
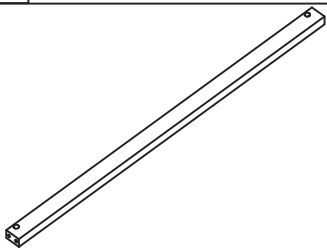
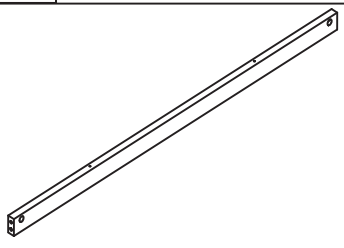
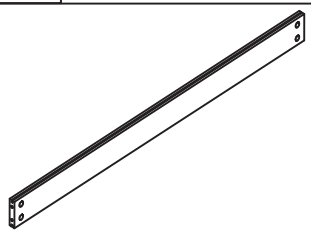
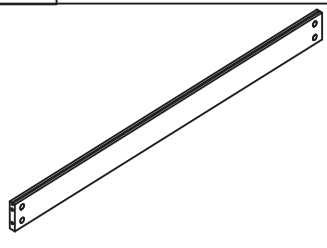
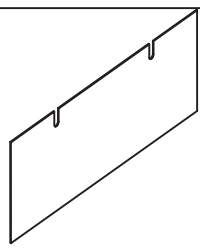
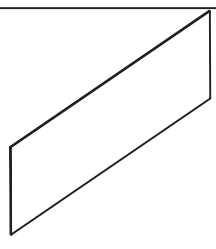
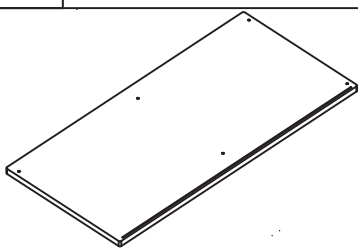
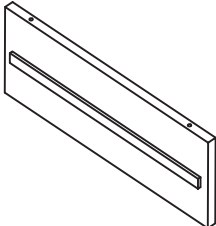
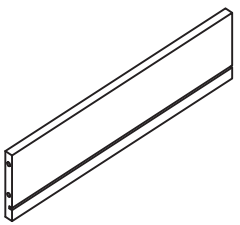
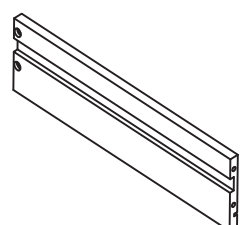
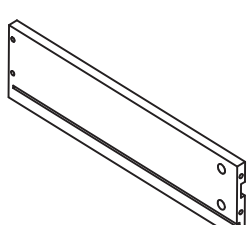
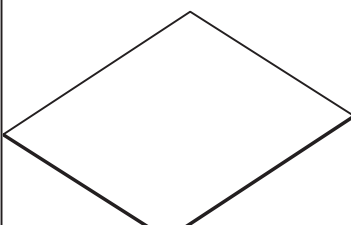
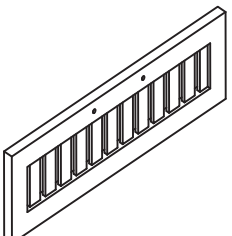
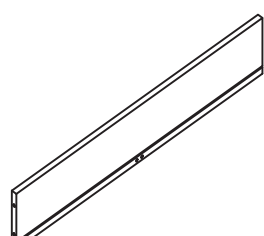
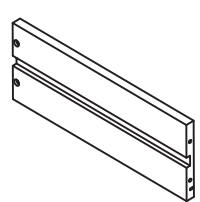
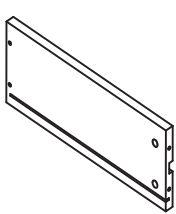
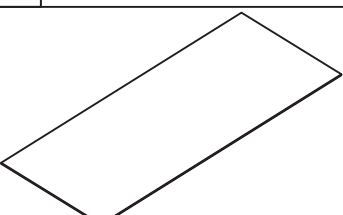
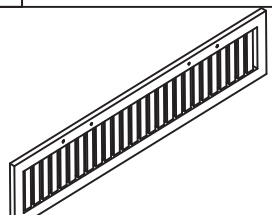
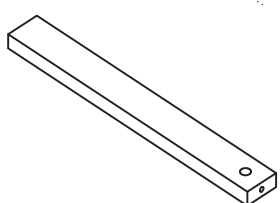
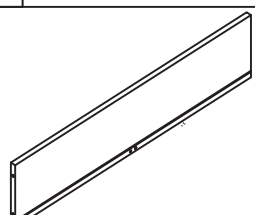
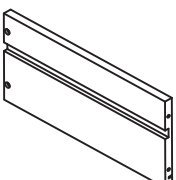
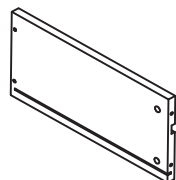
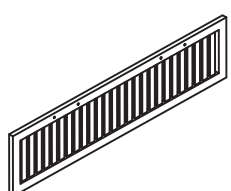
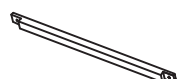
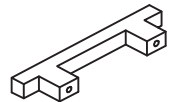
COMPANY

Experts in small space living

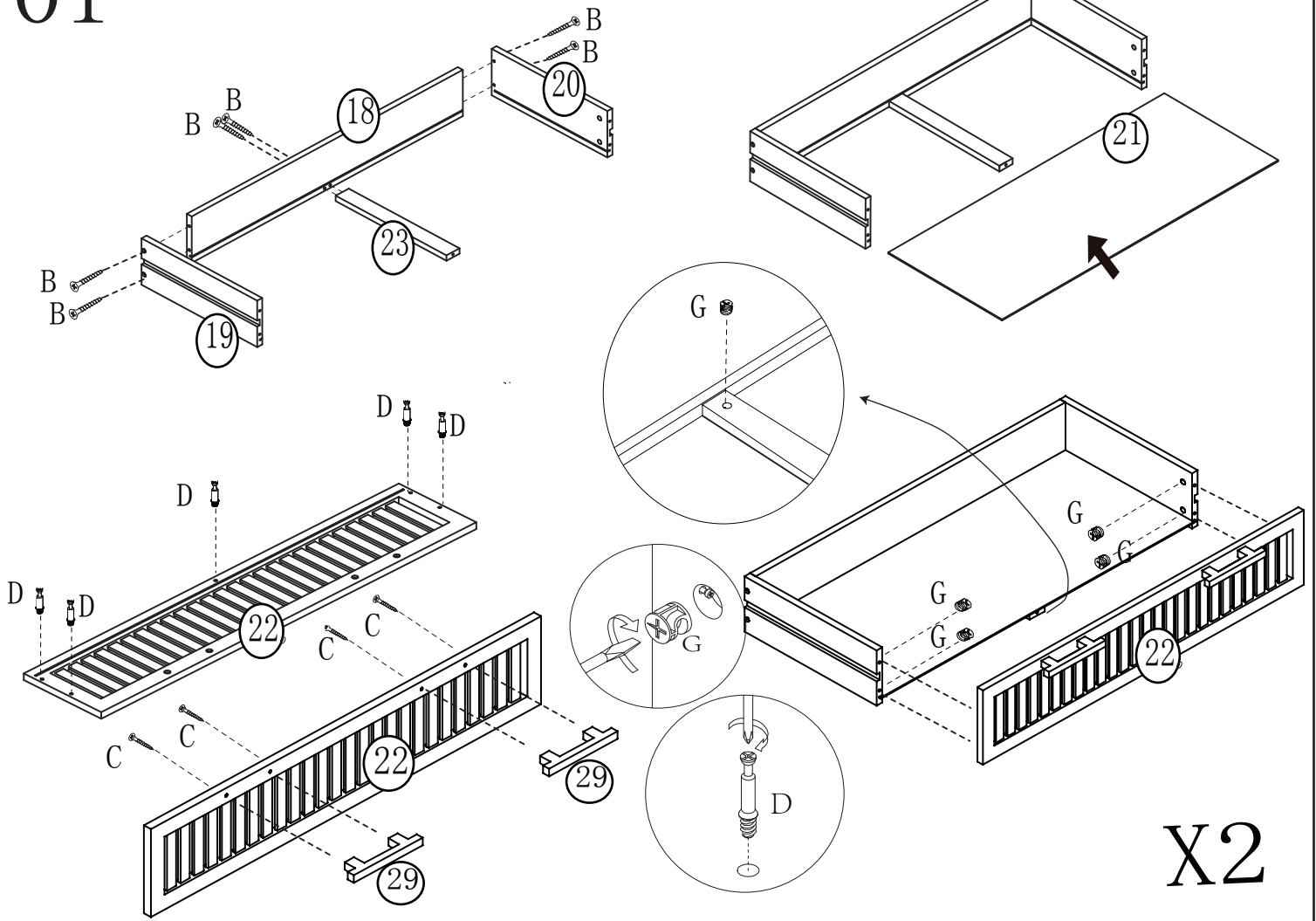
## ST SURAT COD



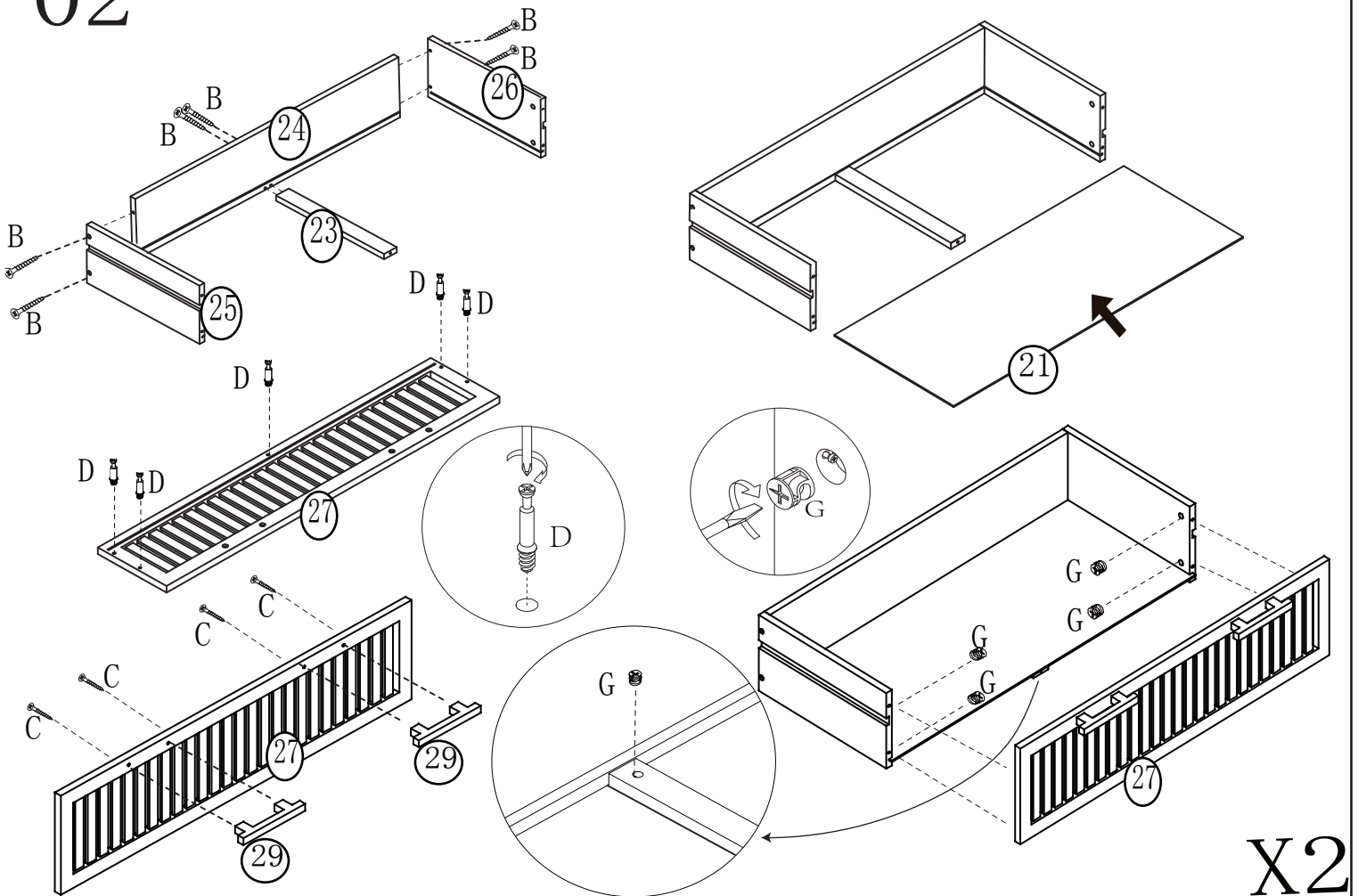
				
A 30pcs	B 35 pcs	C 20 pcs	D 52pcs	E 14pcs
				
F 10pcs	G 52pcs	H 2pcs	K 2pcs	L 2pcs

			
① 1 pc	② 1 pc	③ 1 pc	④ 2 pcs
			
⑤ 1 pc	⑥ 1 pc	⑦ 2 pcs	⑧ 1 pc
			
⑨ 1 pc	⑩ 2 pcs	⑪ 1 pc	⑫ 1 pc
			
⑬ 2 pcs	⑭ 2 pcs	⑮ 2 pcs	⑯ 2 pcs
			
⑰ 2 pcs	⑱ 2 pcs	⑲ 2 pcs	⑳ 2 pcs
			
㉑ 4 pcs	㉒ 2 pcs	㉓ 4 pcs	㉔ 2 pcs
			
㉕ 2 pcs	㉖ 2 pcs	㉗ 2 pcs	
㉘ 10 pcs	㉙ 10 pcs		

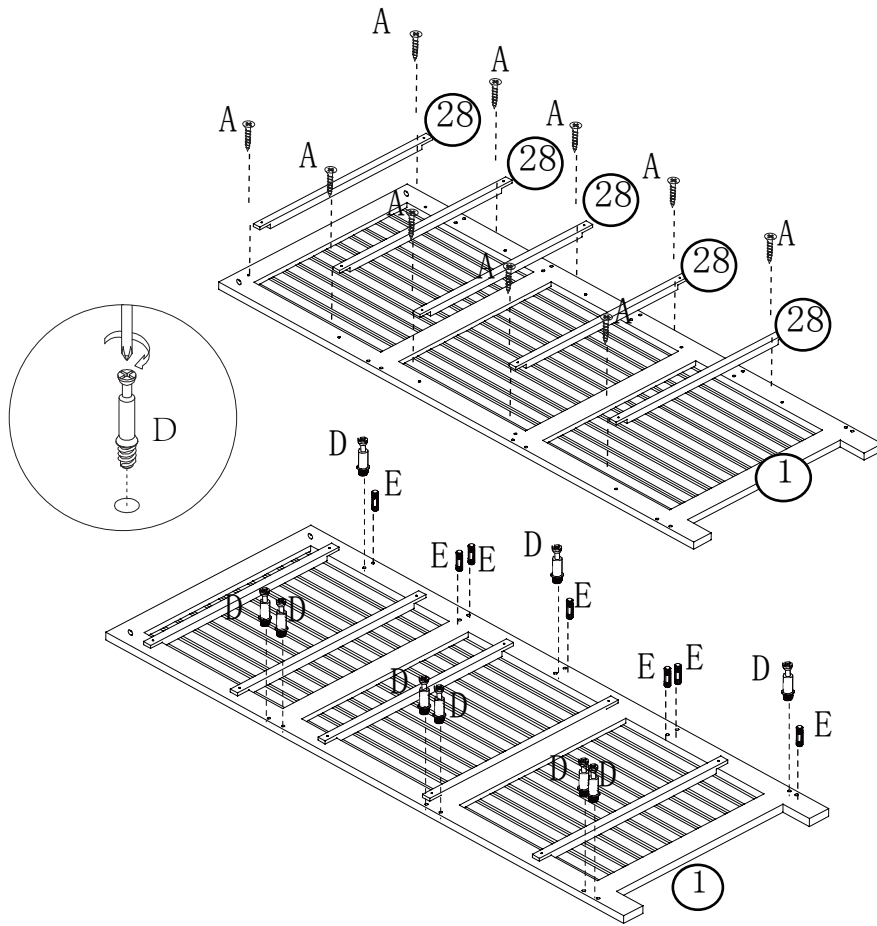
# 01



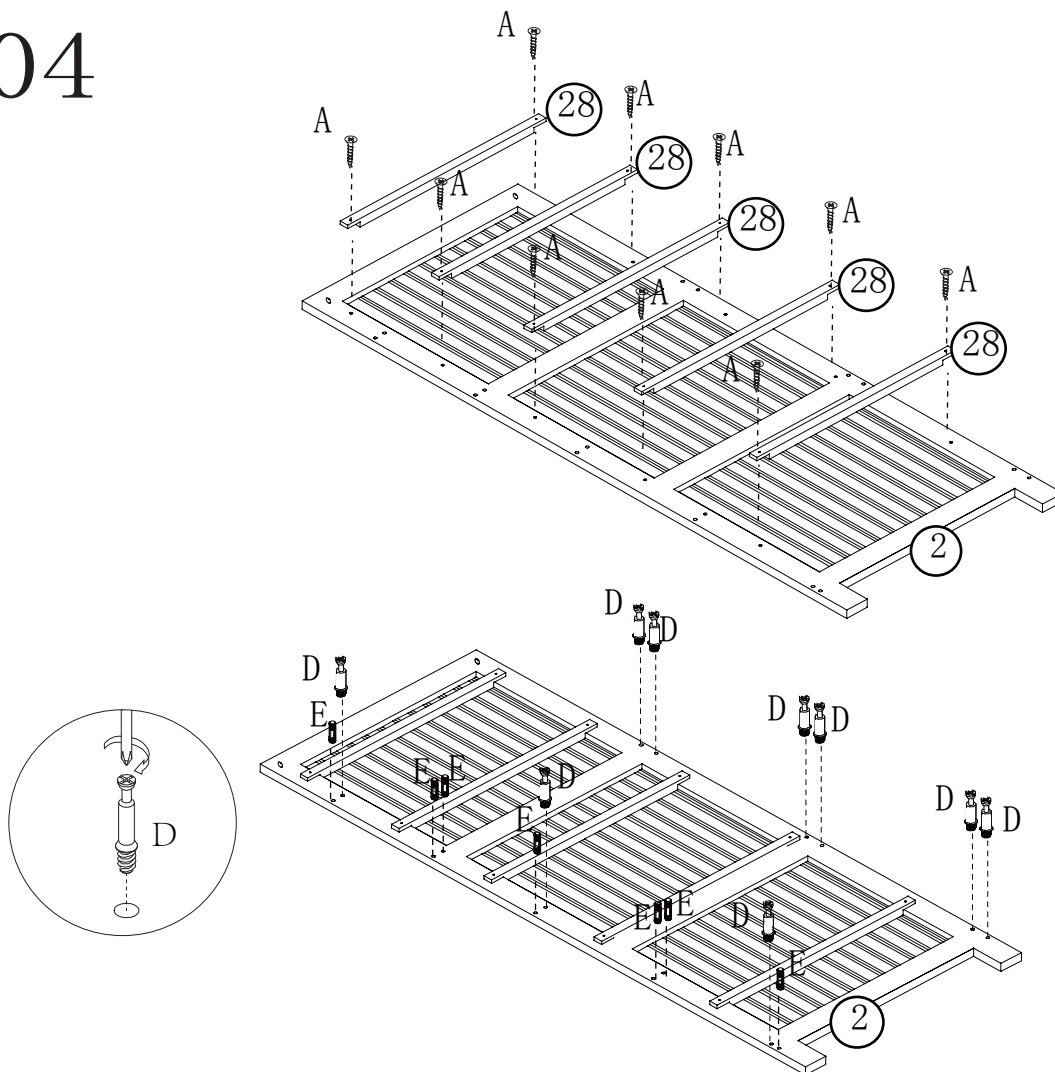
# 02



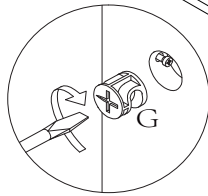
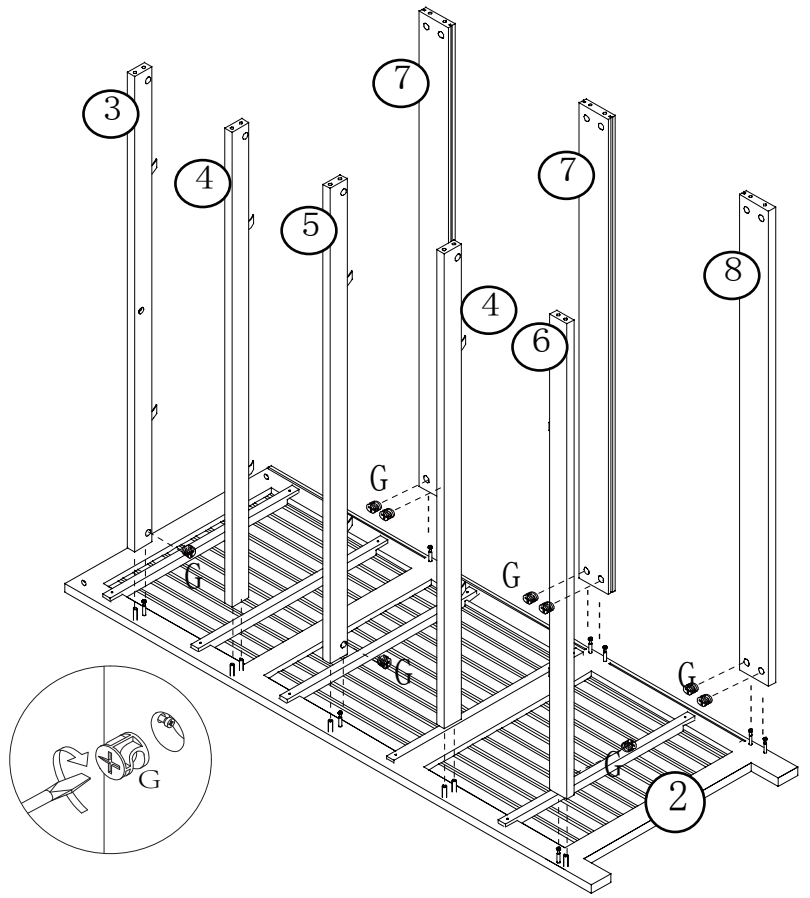
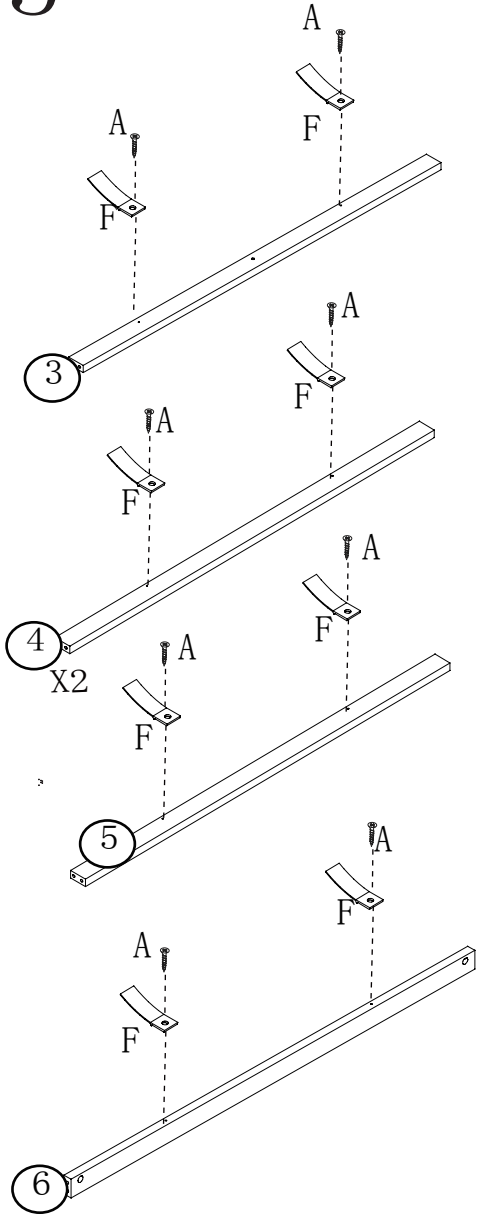
# 03



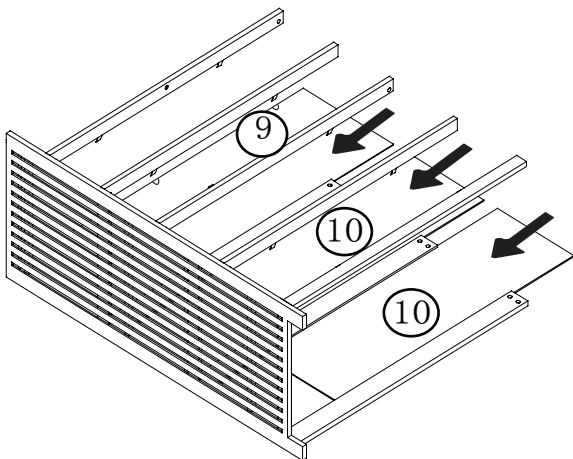
# 04



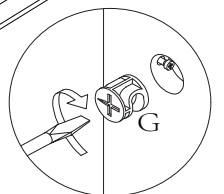
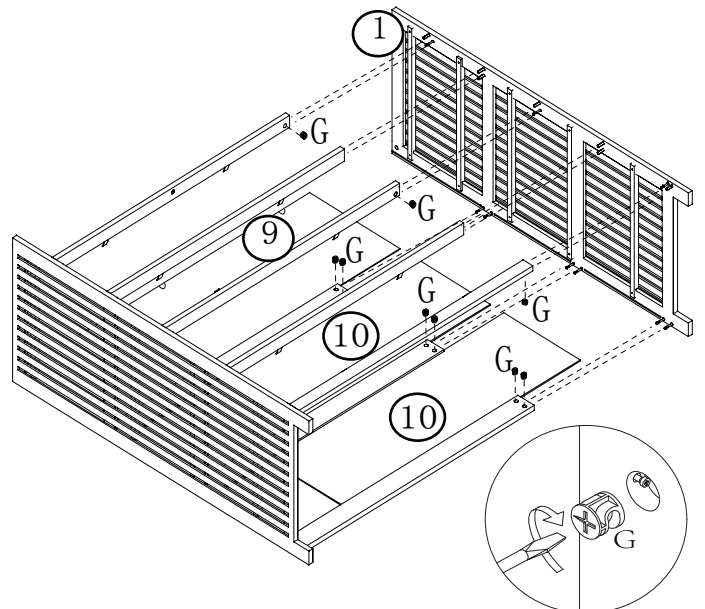
# 05



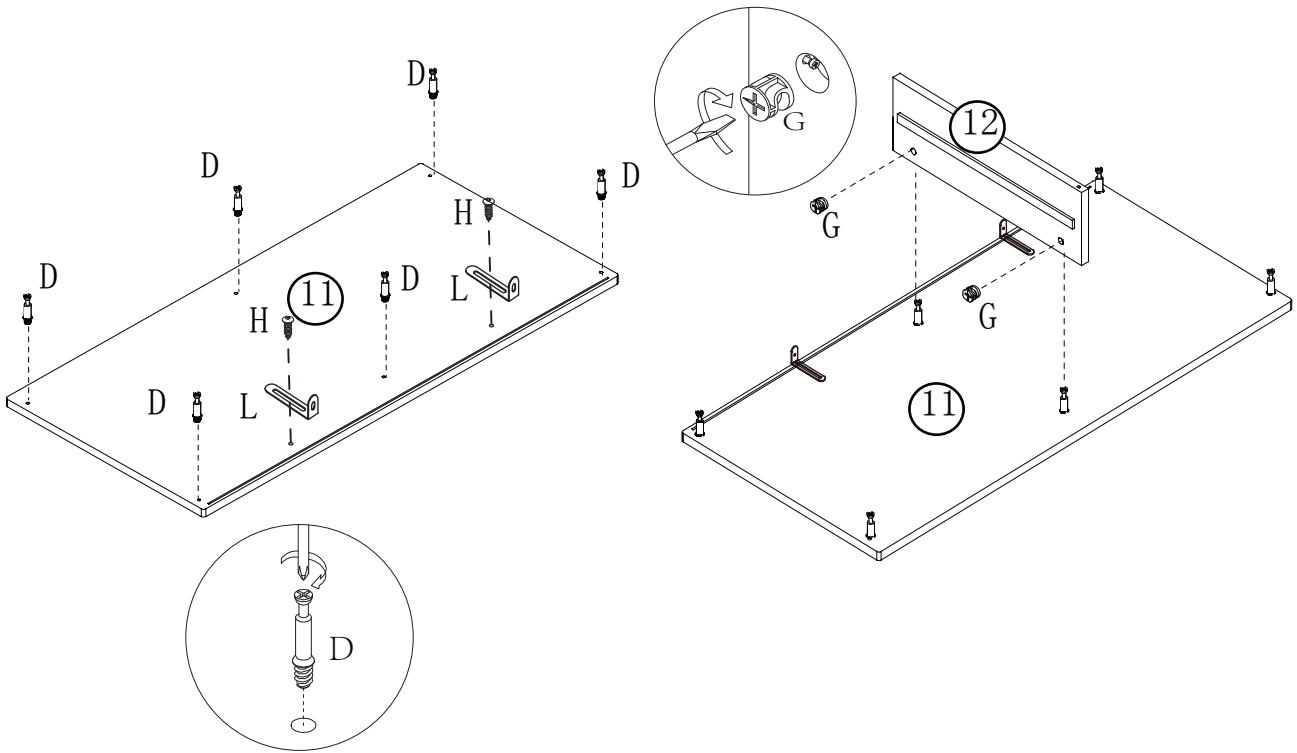
# 06



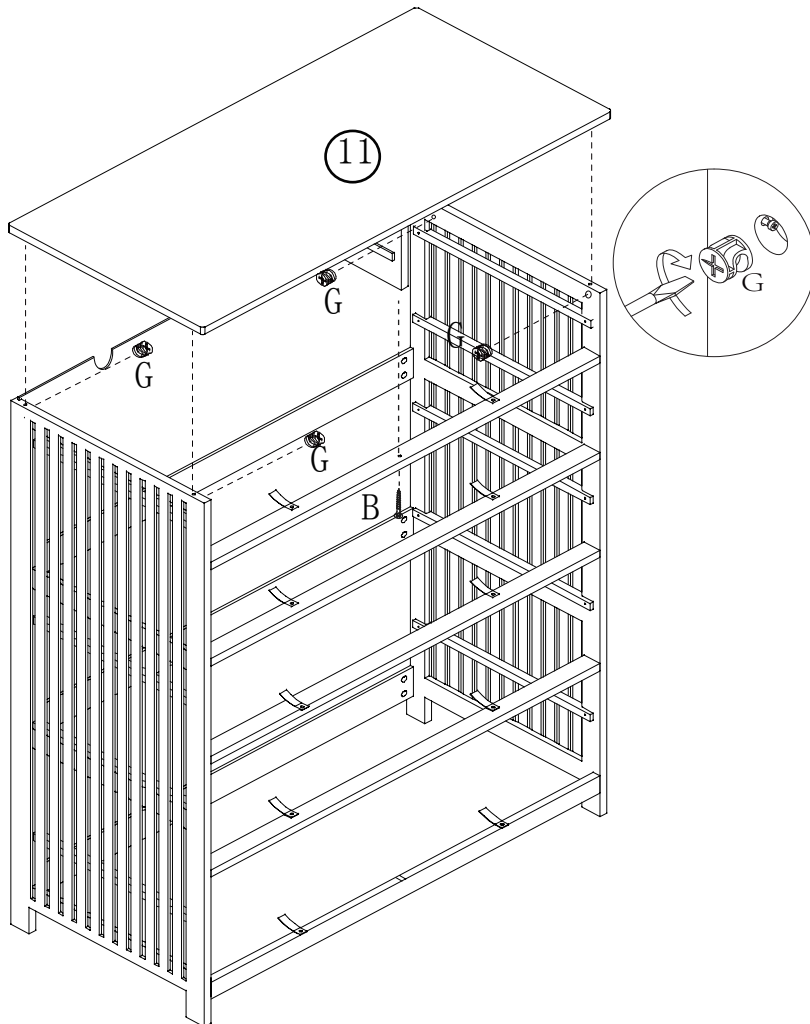
# 07



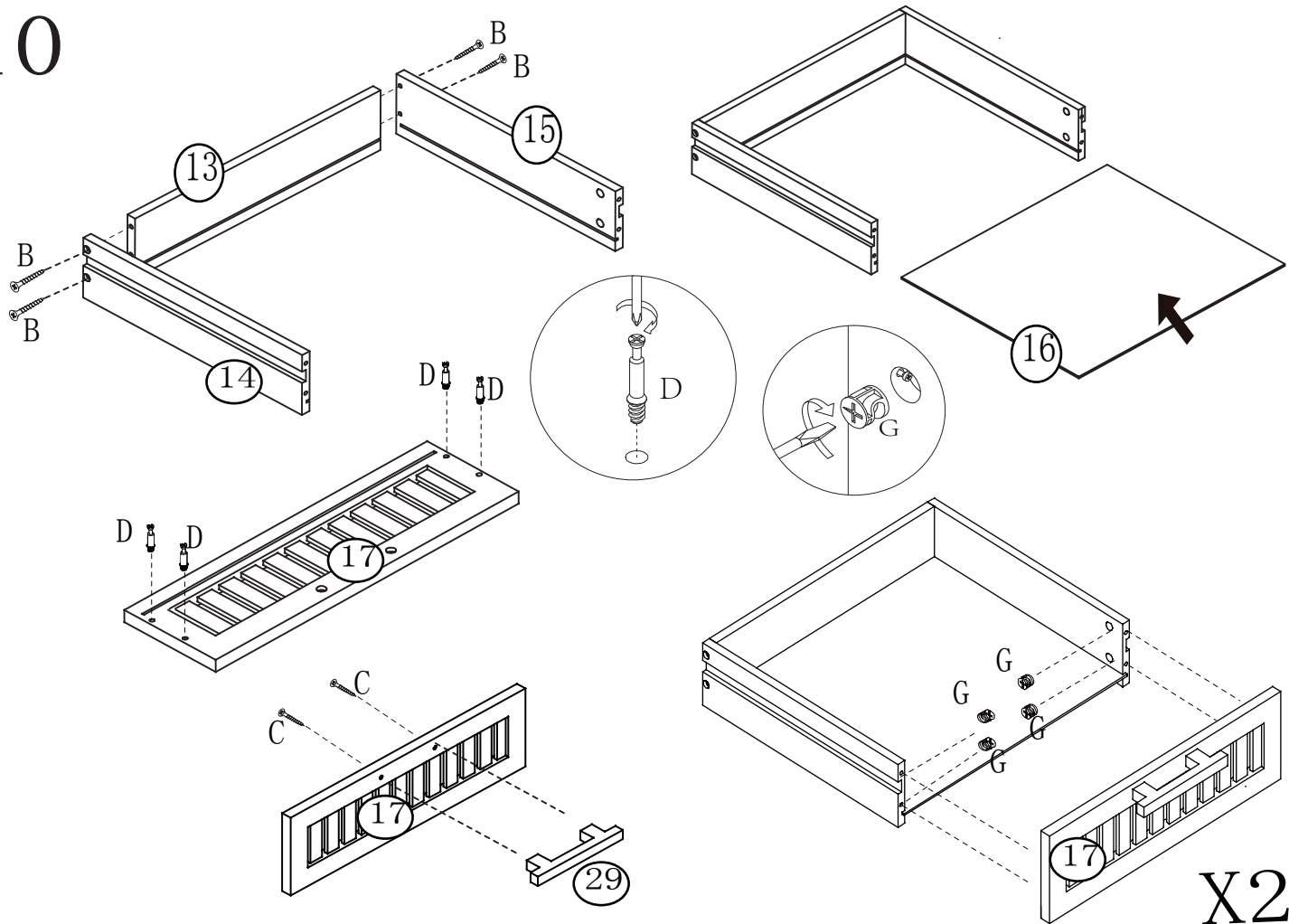
08



09

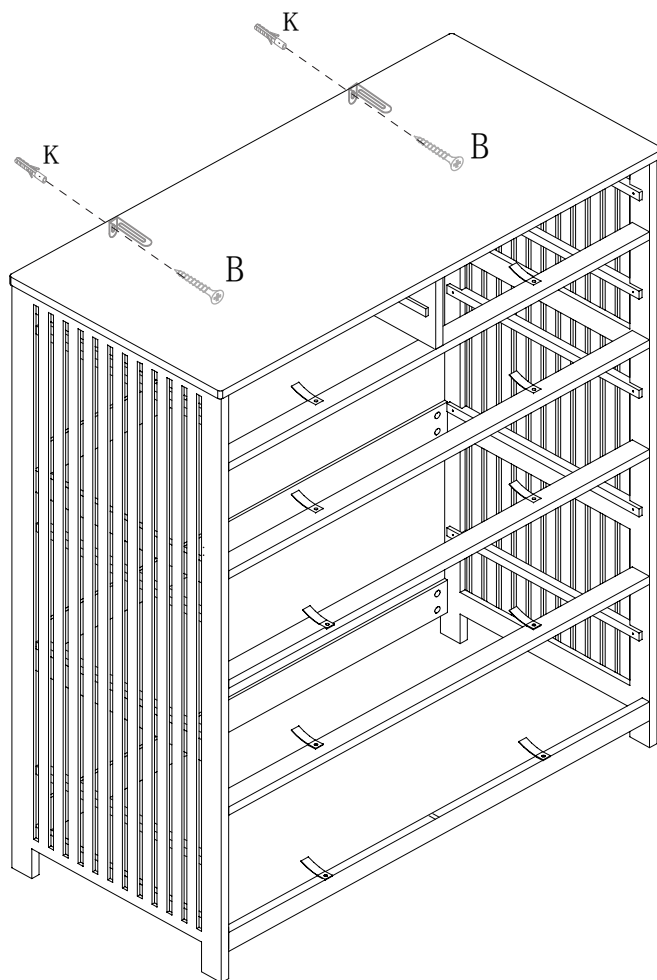


# 10



X2

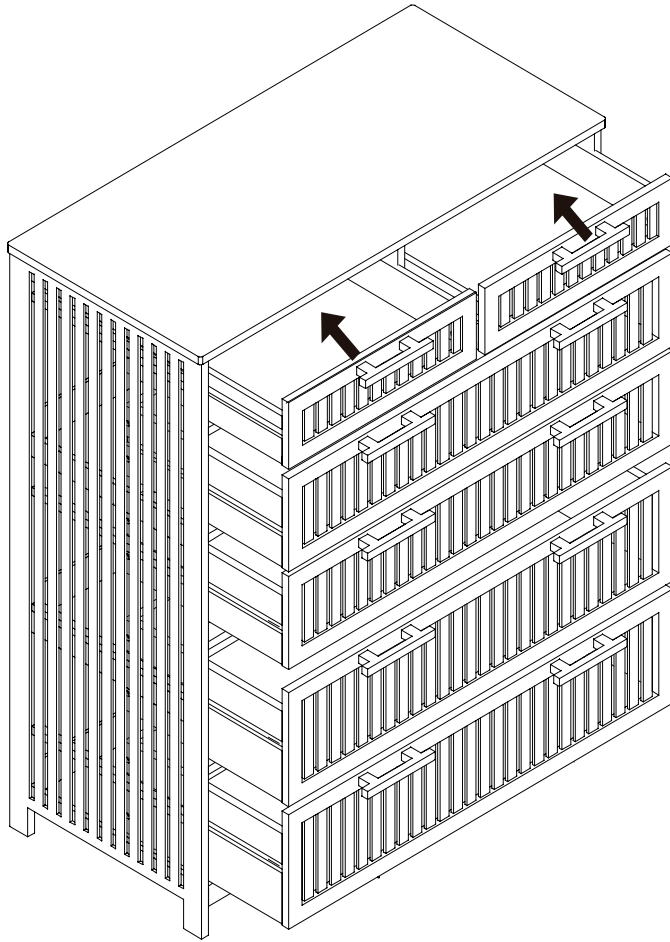
# 11



Follow this step to fix your chest of drawers to the wall. Fixing to secure your chest of drawers to the wall is standard fitting. For details on suitable fixing for your wall type seek advice from your local specialised hardware store.

For safety reasons, we advise you to fix this item to the wall. Never allow children to climb on furniture.

12



13

