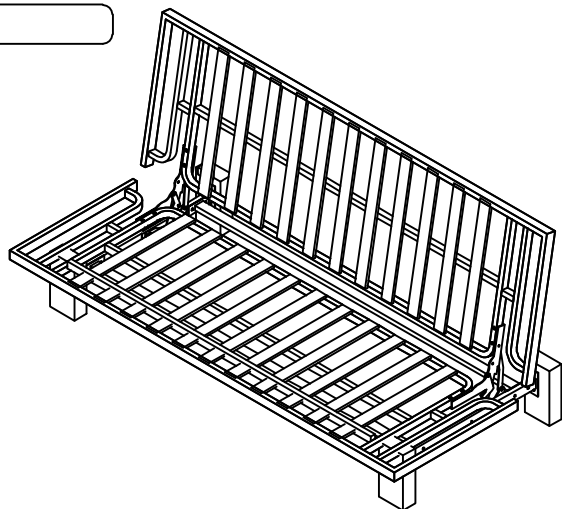


# Assembly Instructions



## Sofa Bed - Fusion Three Seat V2

ROPO no:



**PLEASE READ THESE INSTRUCTIONS VERY CAREFULLY BEFORE YOU BEGIN, TO ENSURE THAT YOUR FUTON COMPANY PRODUCT WILL GIVE YOU MANY YEARS OF SATISFACTION**

Thank you for buying a Futon Company product.

We are constantly striving to improve everything we do, but occasionally mistakes do occur. In the unlikely event that you find any part missing, please call your nearest Futon Company store and we will arrange for the despatch of an immediate replacement. Please keep all packaging until you have checked every part and assembly of your Futon Company product is complete.

Version number: 1    Product code: SB3 FUSION V2    Date: 04/08/23

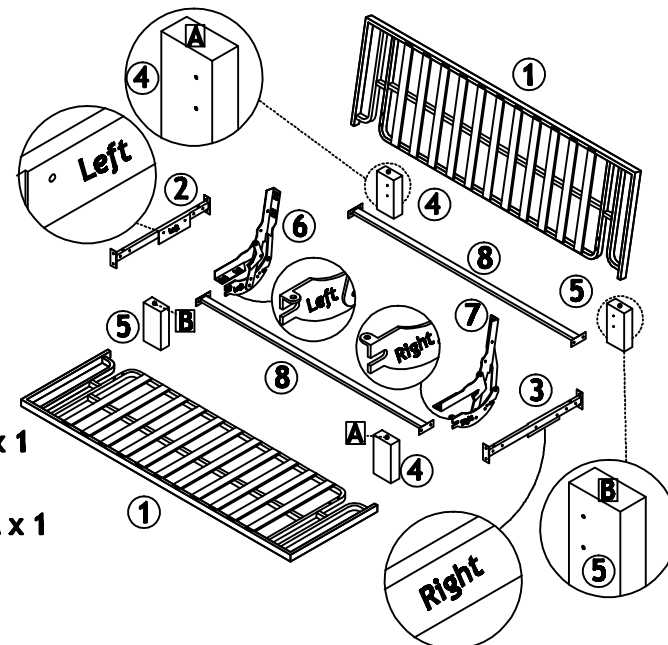
*experts in small space living*



### Parts Checklist

Please count and check every component very carefully before you begin

- ① Deck x 2
- ② Left Panel x 1
- ③ Right Panel x 1
- ④ Wooden Leg A x 2
- ⑤ Wooden Leg B x 2
- ⑥ LEFT MECHANISM x 1
- ⑦ RIGHT MECHANISM x 1
- ⑧ Cross Rail x 2



### Fittings Checklist

Please count and check every component very carefully before you begin

- a) m8 x 45mm Bolt x 12    b) m8 x 40mm Bolt x 8    c) m6 x 20mm Bolt x 8
- d) Nut x 20    e) Spring Washer x 4    f) Large Washer x 8
- g) Small Spanner  $\Phi 10$  x 1    h) Big Spanner  $\Phi 14$  x 2

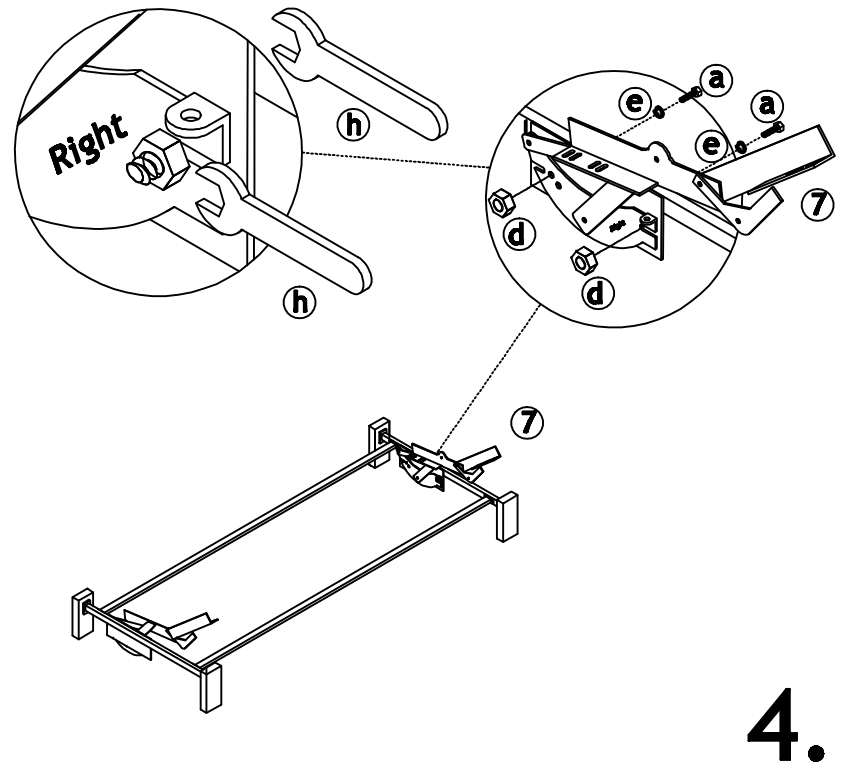
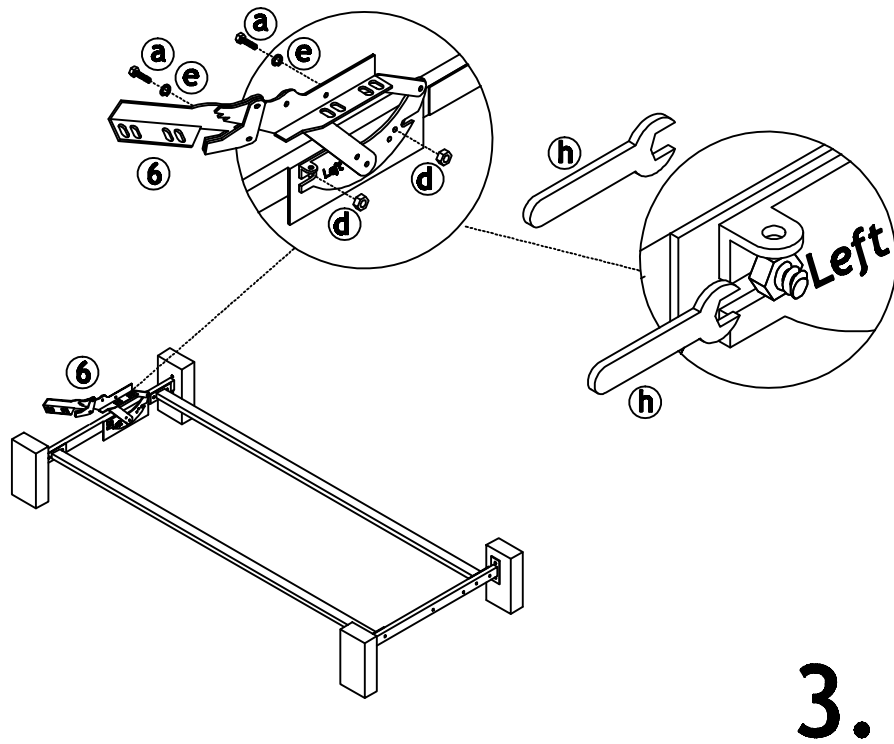
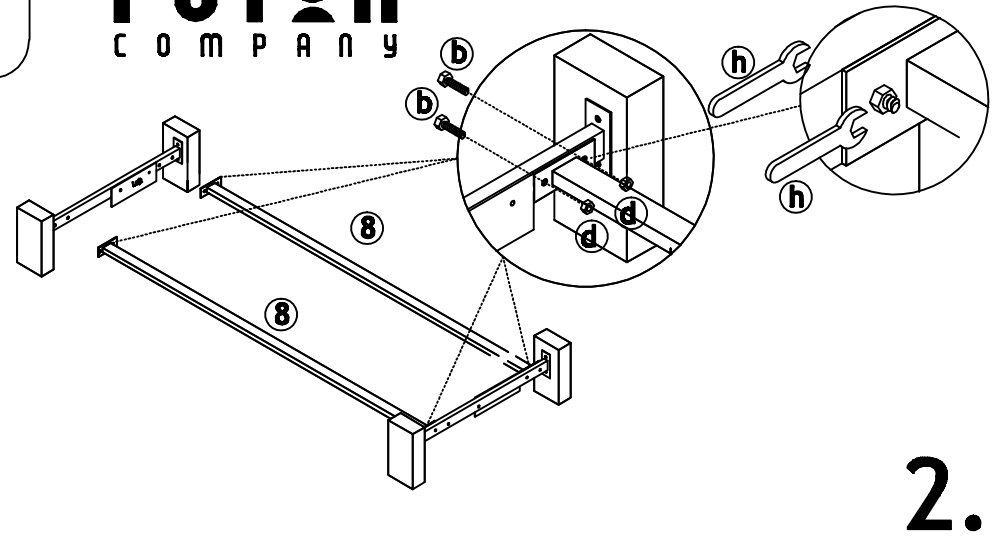
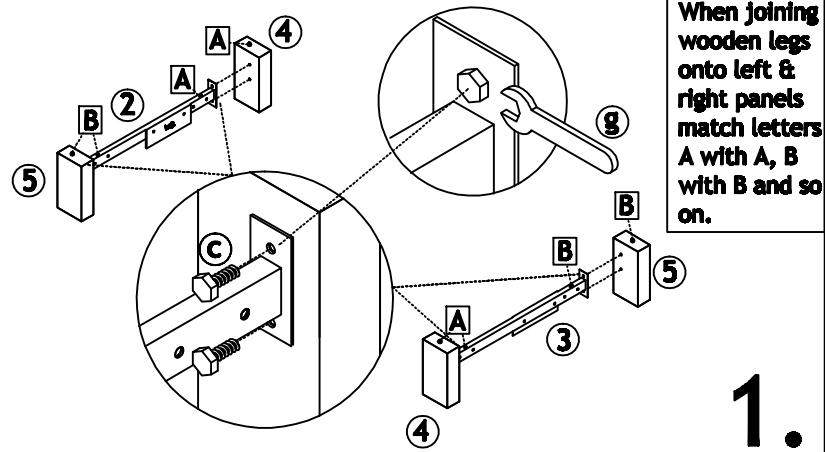


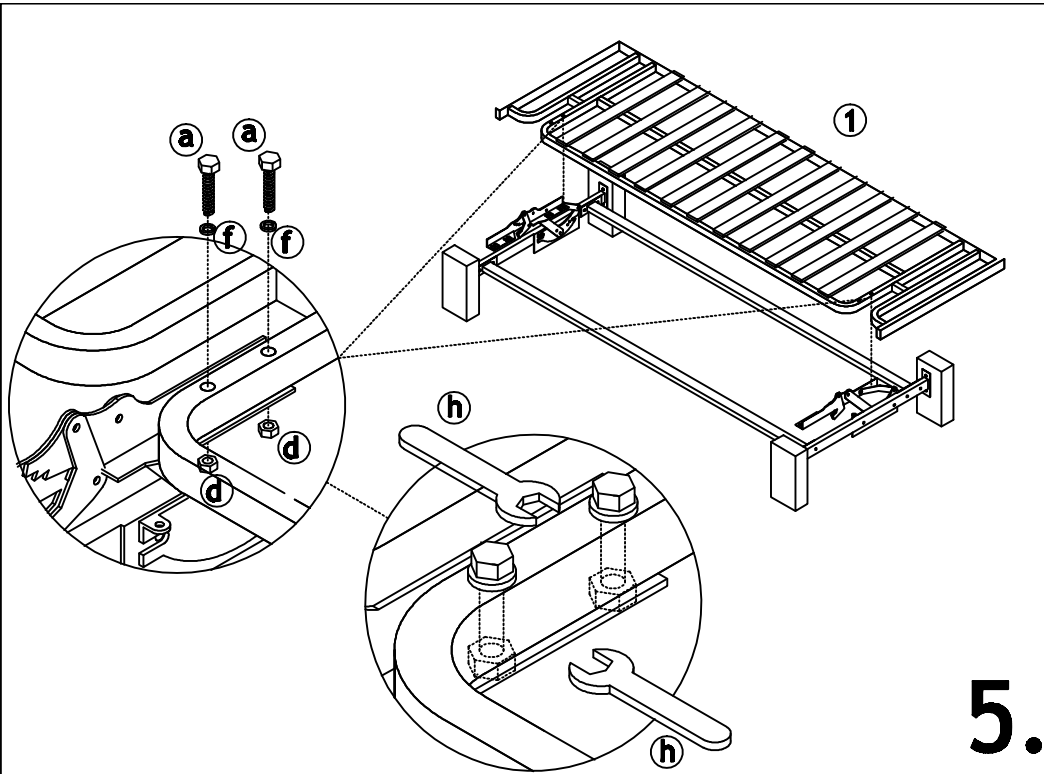
# How To Assemble Your Fusion Futon

Please follow these instructions carefully

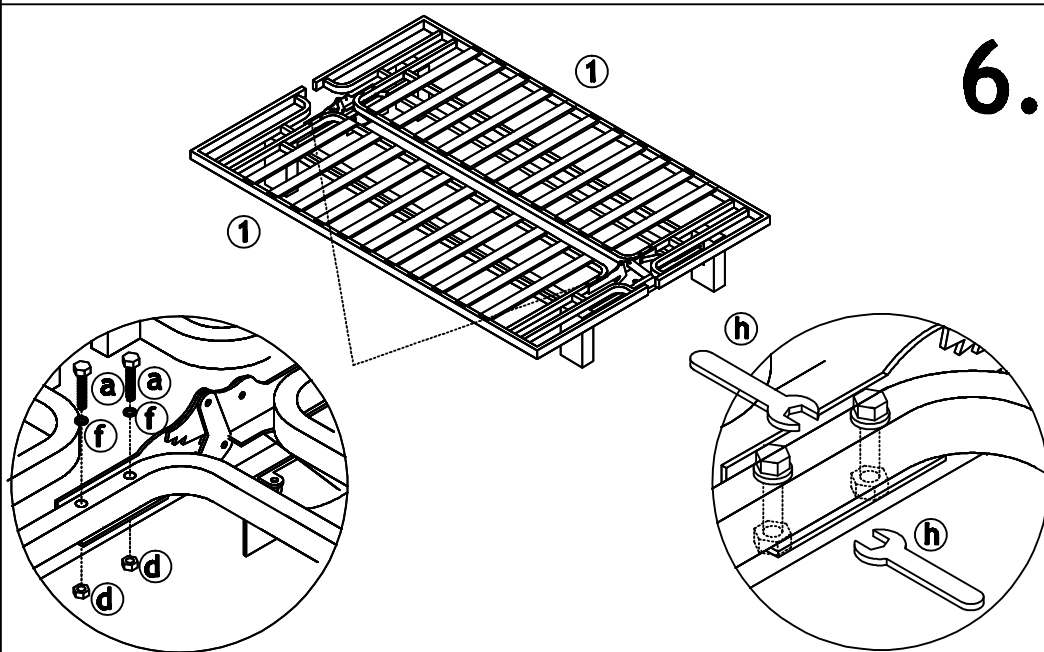
# FUTON

C O M P A N Y





5.

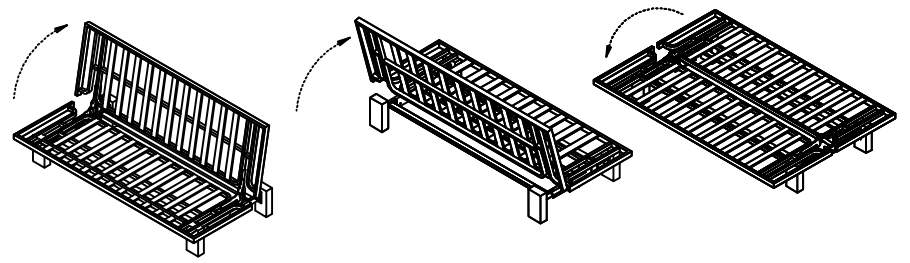


6.



## How To Use

Please read carefully



### CONVERTING YOUR SOFA INTO A BED

To convert into a bed position, lift the seat deck up and towards the back deck. Then gently push the seat deck until you hear the mechanism click once. Then lower the seat deck into the bed position. Reverse the procedure to convert back into sofa position.

#### FINISH

Timber may be selected to ensure that the visible surfaces are of a higher grade than unseen surfaces. These unseen areas are not finished to the same standard as the visible surfaces.

#### CARE

To clean your Fusion Frame, wipe with a damp cloth followed by a dry cloth.

#### IMPORTANT

To ensure maximum performance from this product, we advise that you check and tighten all bolts and screws on a regular basis to avoid damage and strain to parts.

#### GUARANTEE

This instruction leaflet forms part of your guarantee, Please retain it. The ROPO number along with your invoice number will need to be quoted in all correspondence with Futon Company.

Thank you for choosing Futon Company.