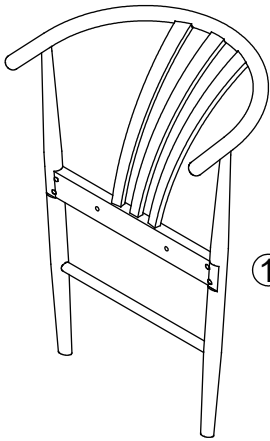


# Parts Checklist

**FUTON**  
C O M P A N Y

ROPO11095

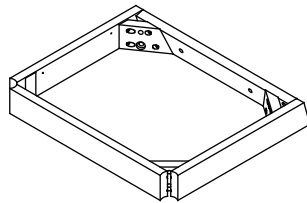
CHAIR YUMI ASH



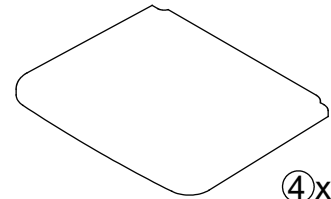
①x1pc



③x2pcs

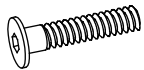


②x1pc

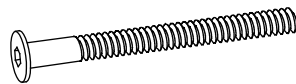


④x1pc

# Parts Checklist



A x2pcs



B x4pcs



C x4pcs



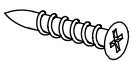
D x10pcs



E x10pcs



F x4pcs



Gx8pcs

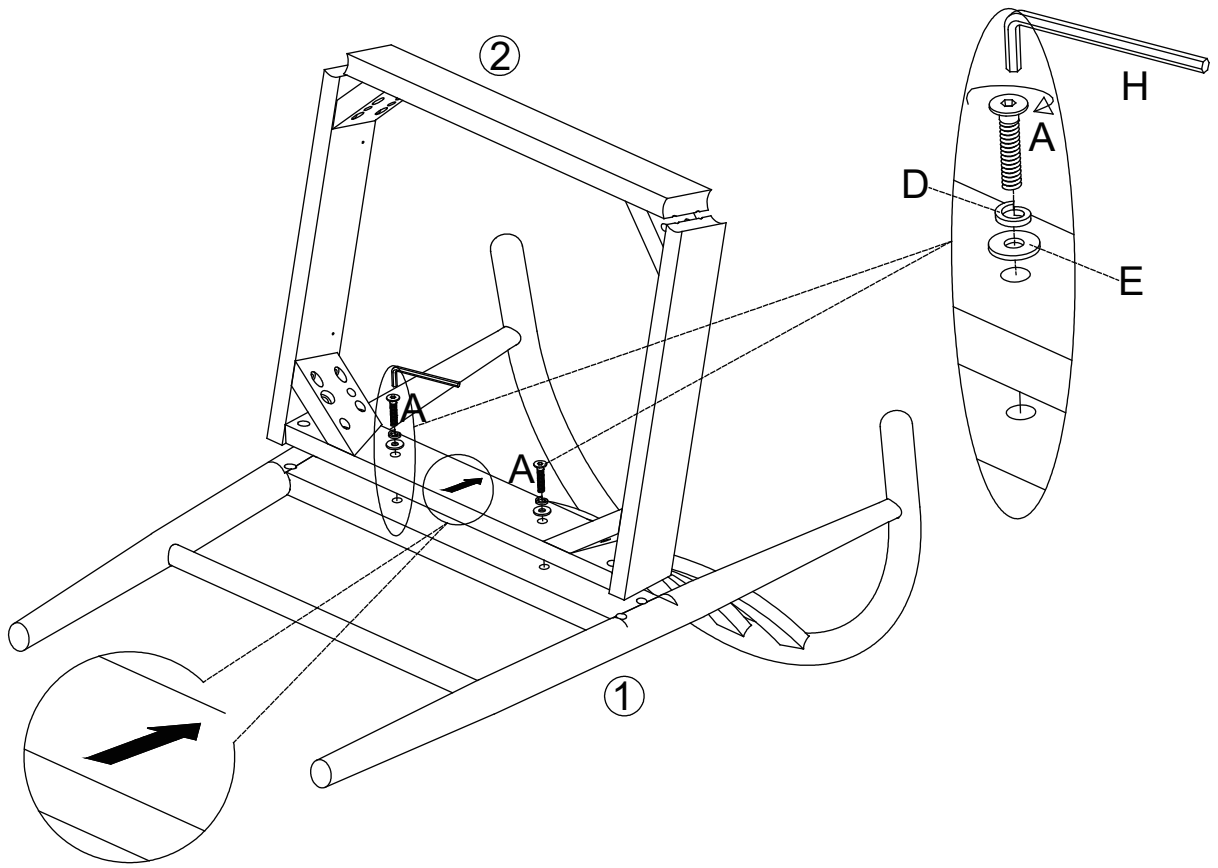


H x1pc

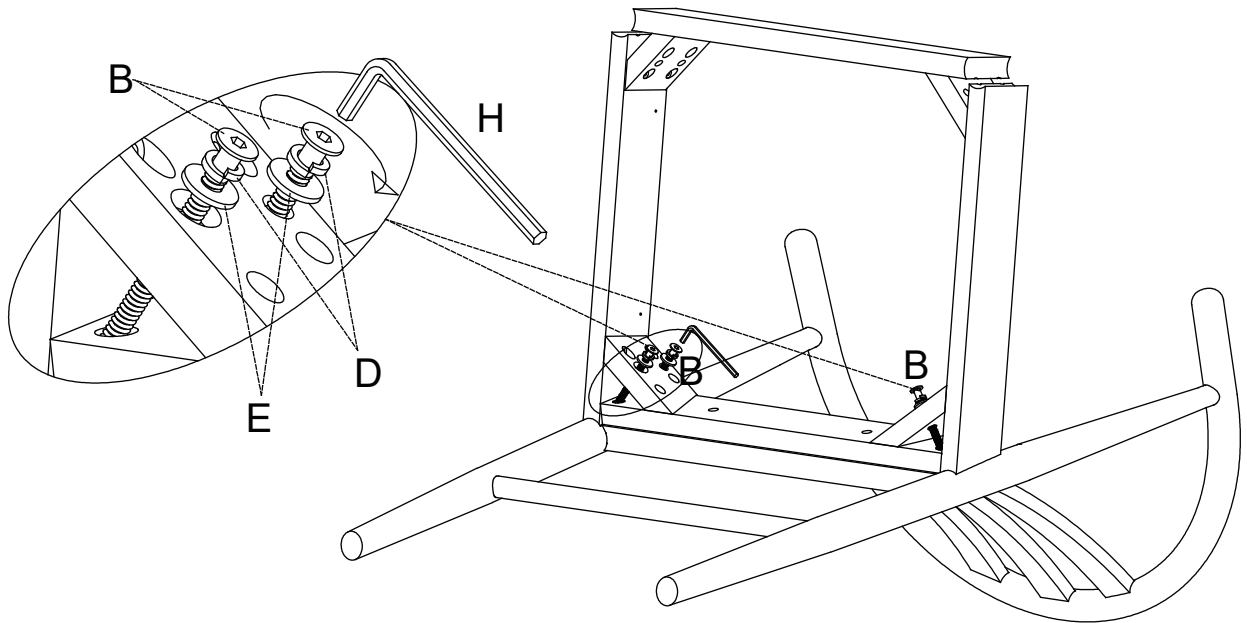


I x4pcs

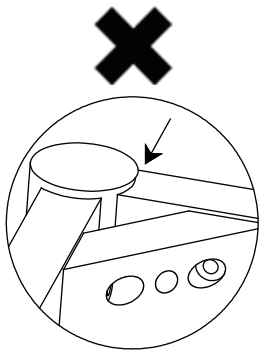
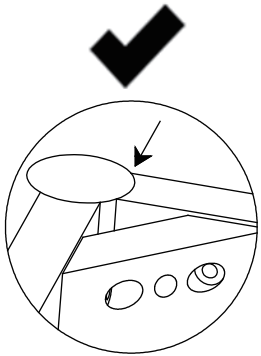
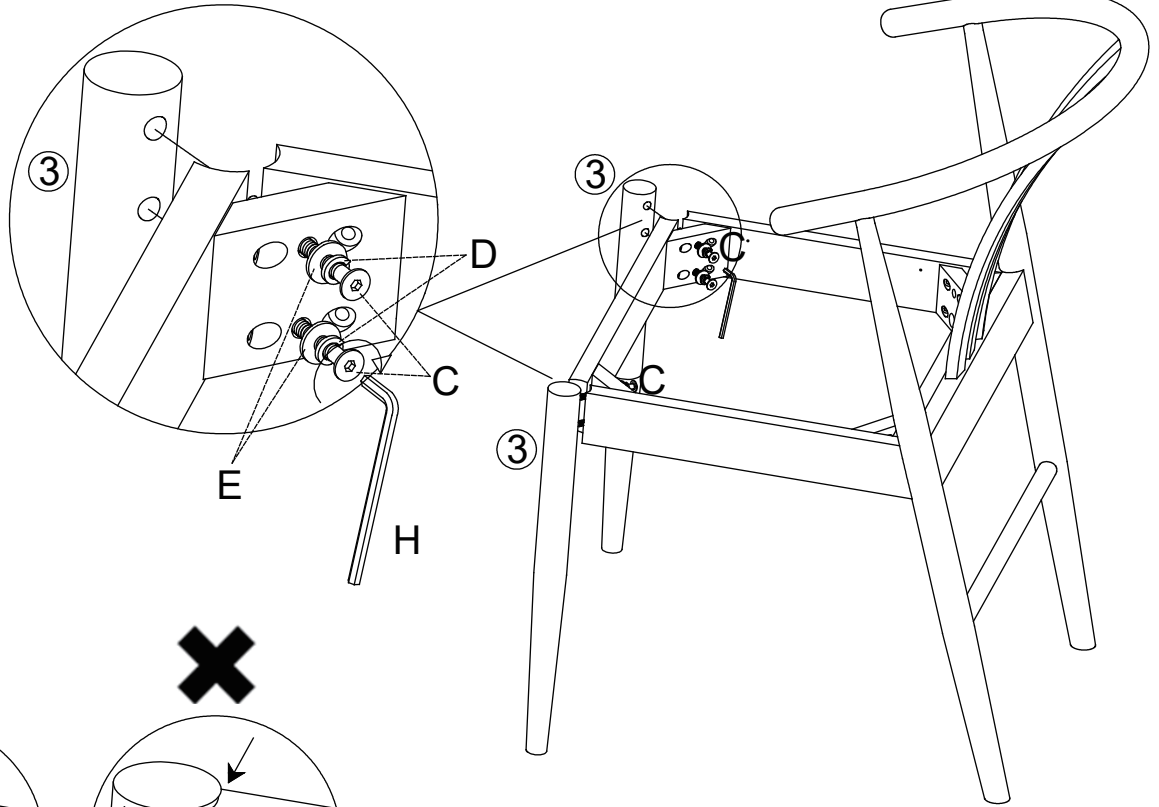
1



2



3



make sure top of the leg  
is flush to top of the sides

4

