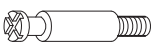

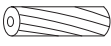



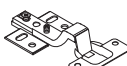

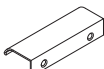

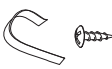
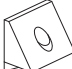


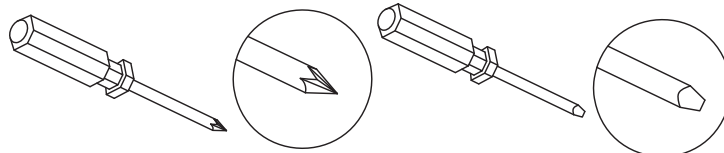
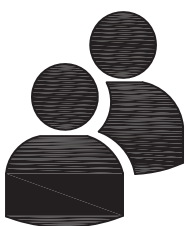
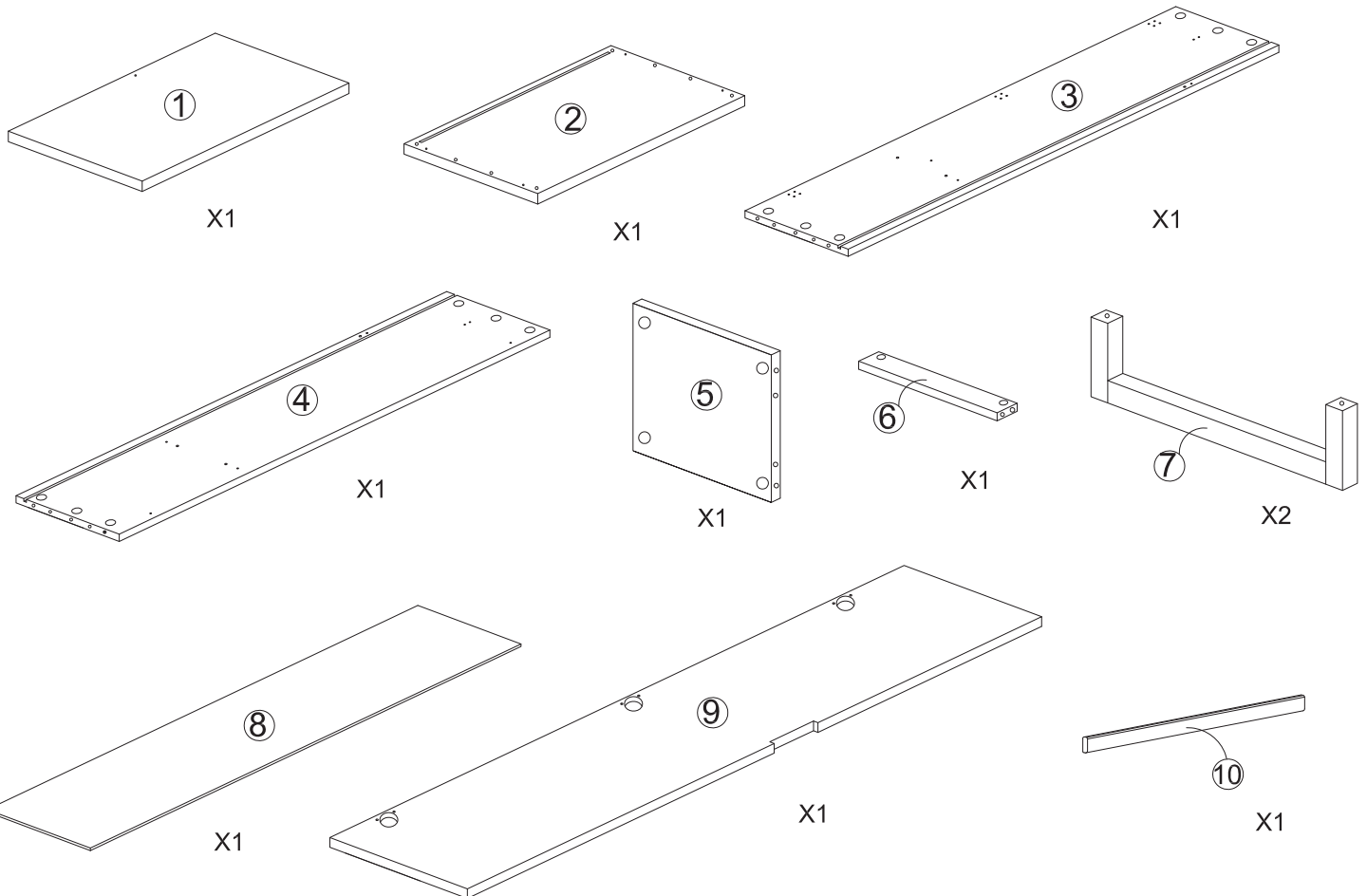


# ASSEMBLY INSTRUCTIONS

**FUTON**  
C O M P A N Y

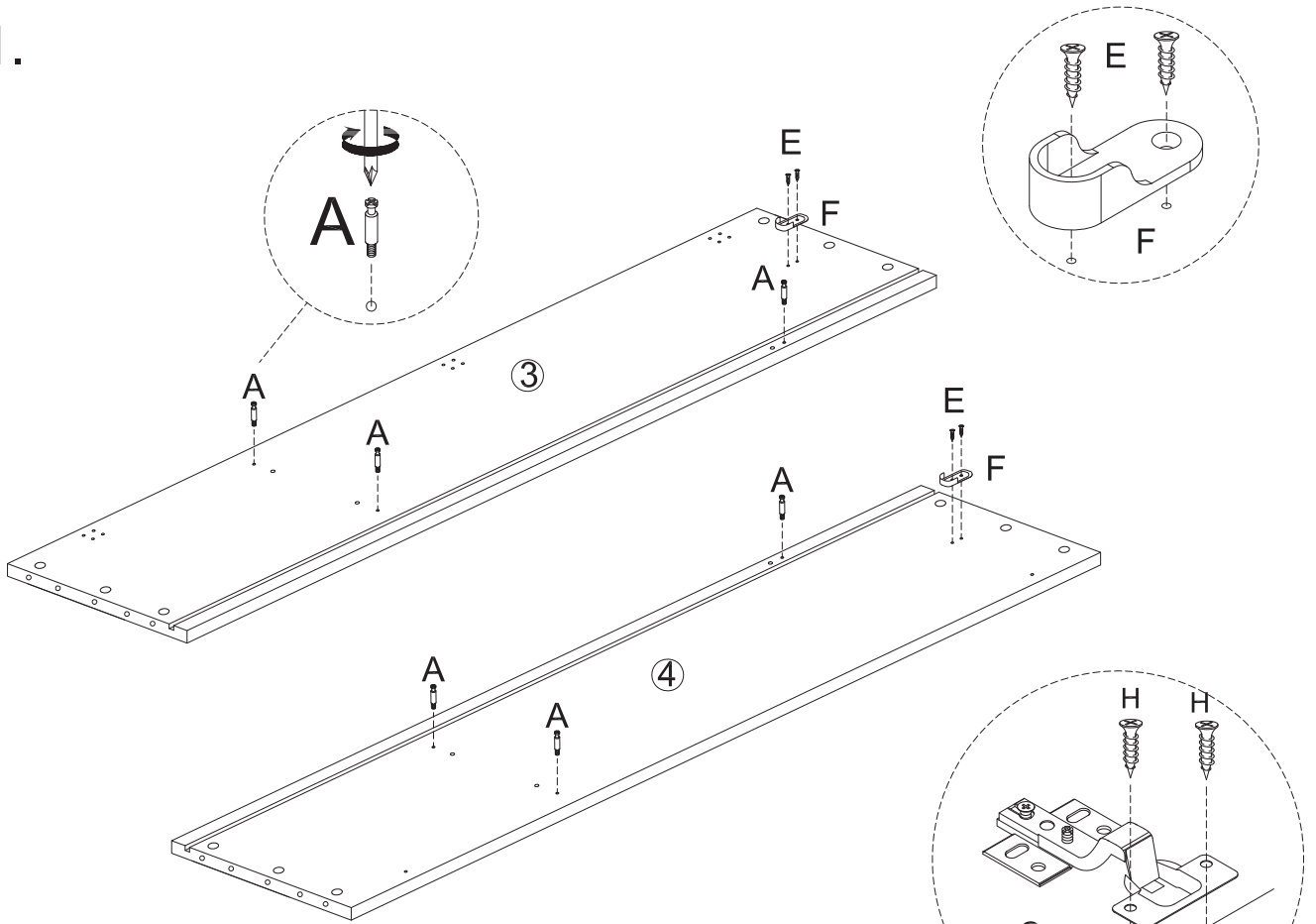
ST CALX LOCKER

A	B	C	D	E	F	G
						
18 PIECES	18 PIECES	14 PIECES	4 PIECES	6 PIECES	2 PIECES	3 PIECES
H	I	J	K	L	M	N
						
18 PIECES	1 PIECE	2 PIECES	1 PIECE	14 PIECES	14 PIECES	12 PIECES

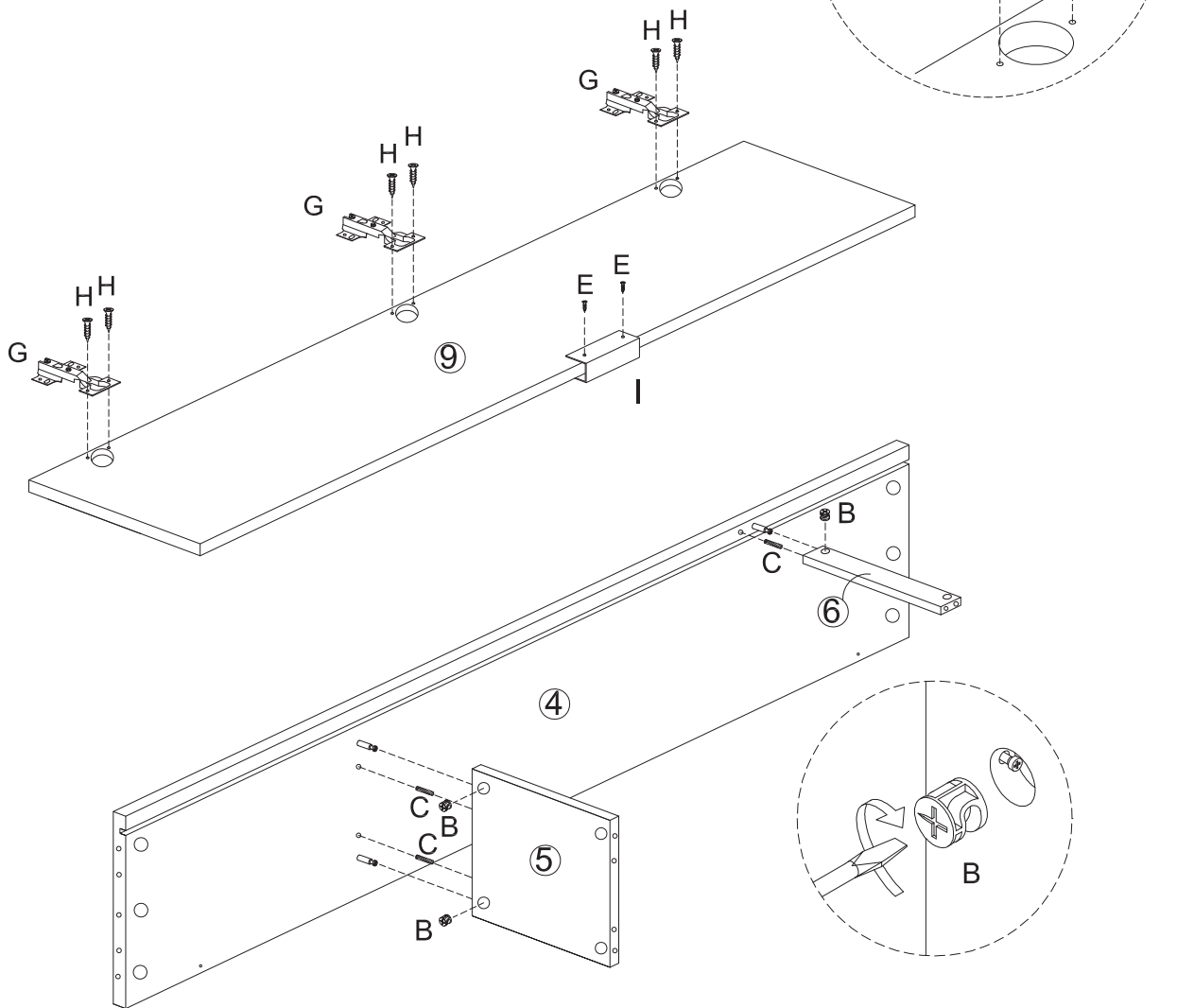


Allow 60 minutes to assemble this item

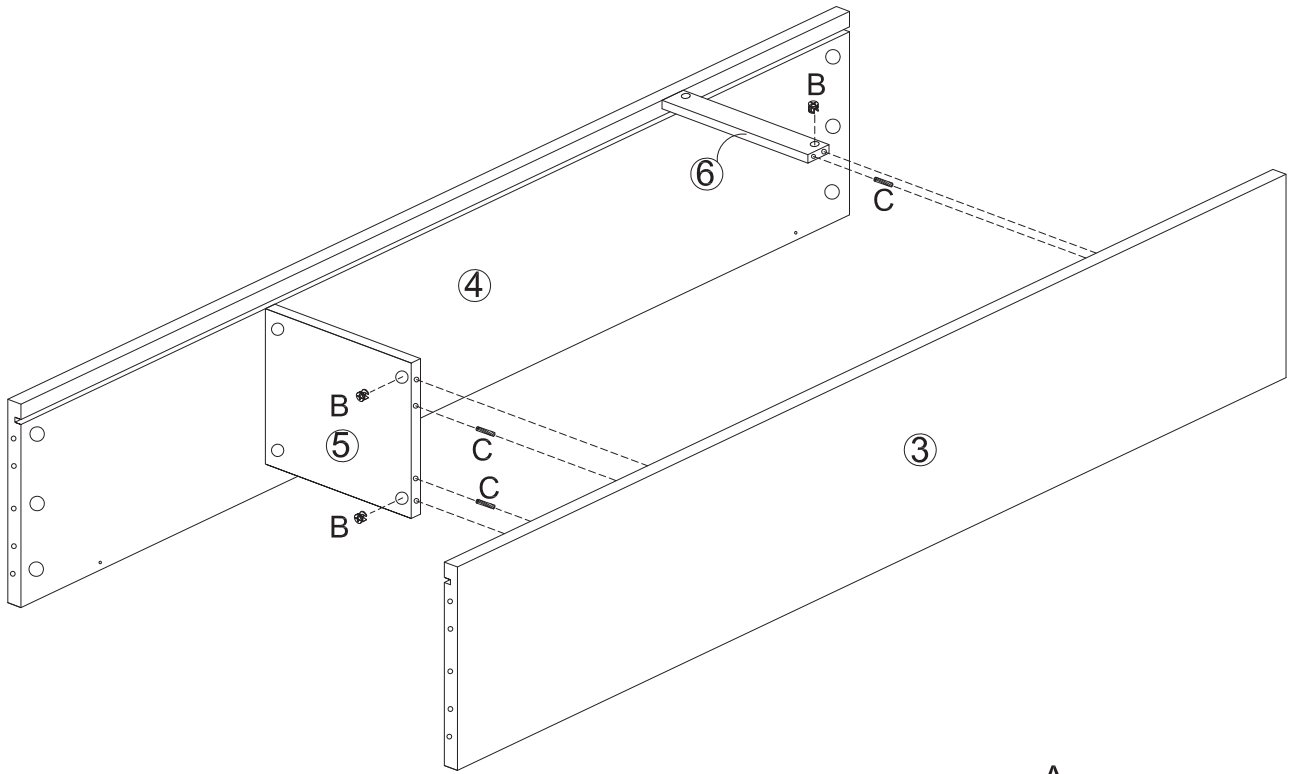
1.



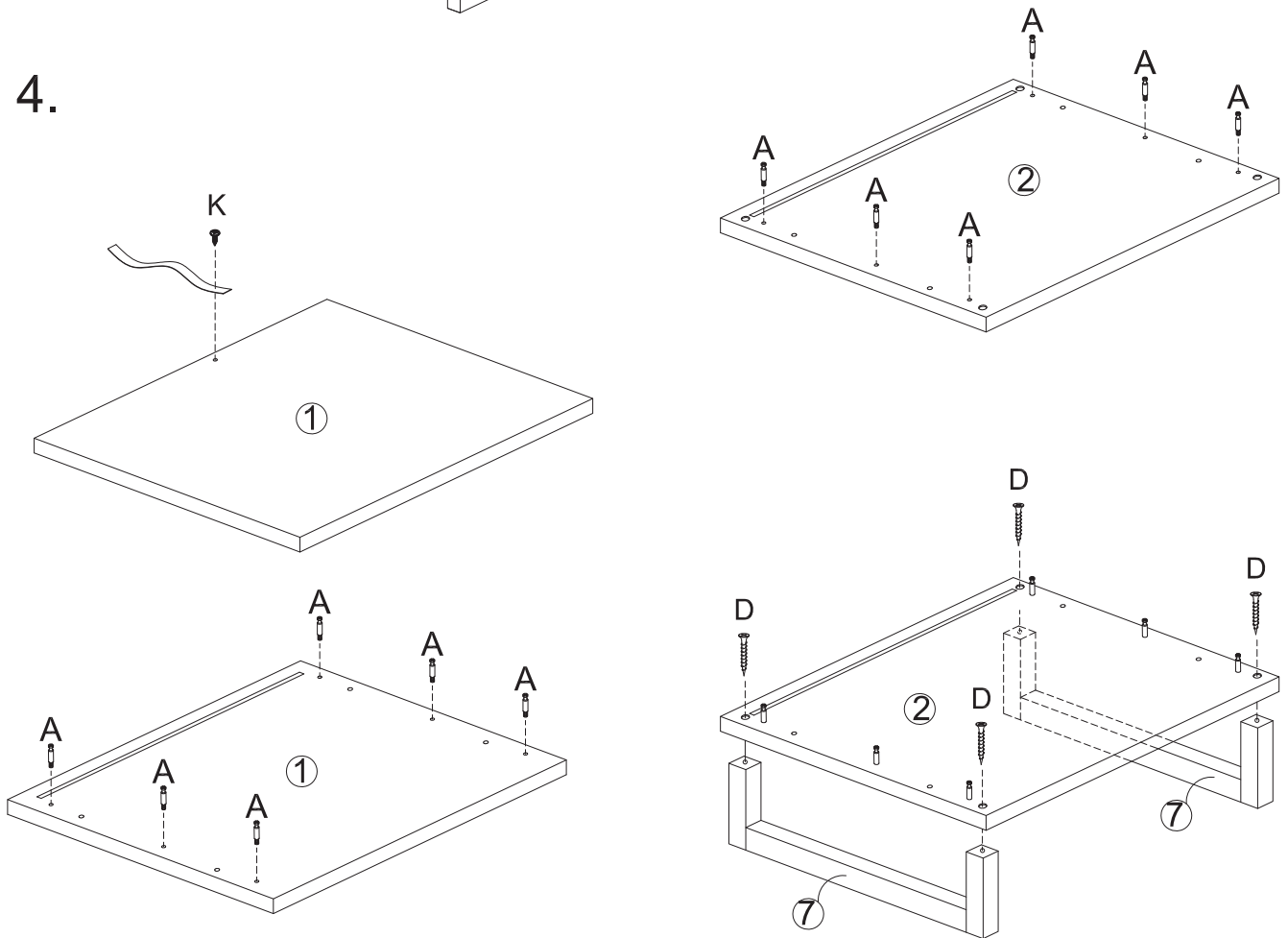
2.



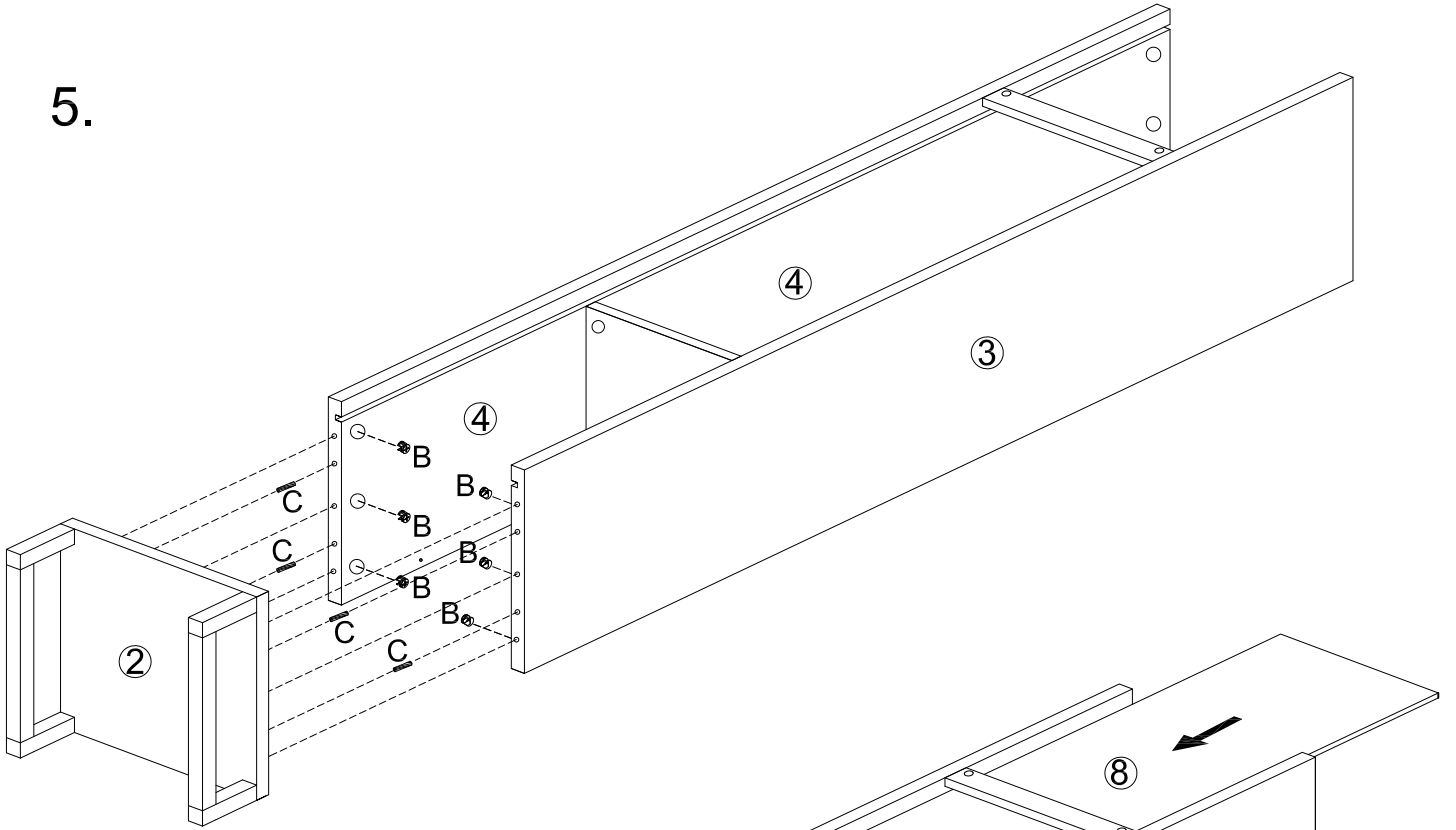
3.



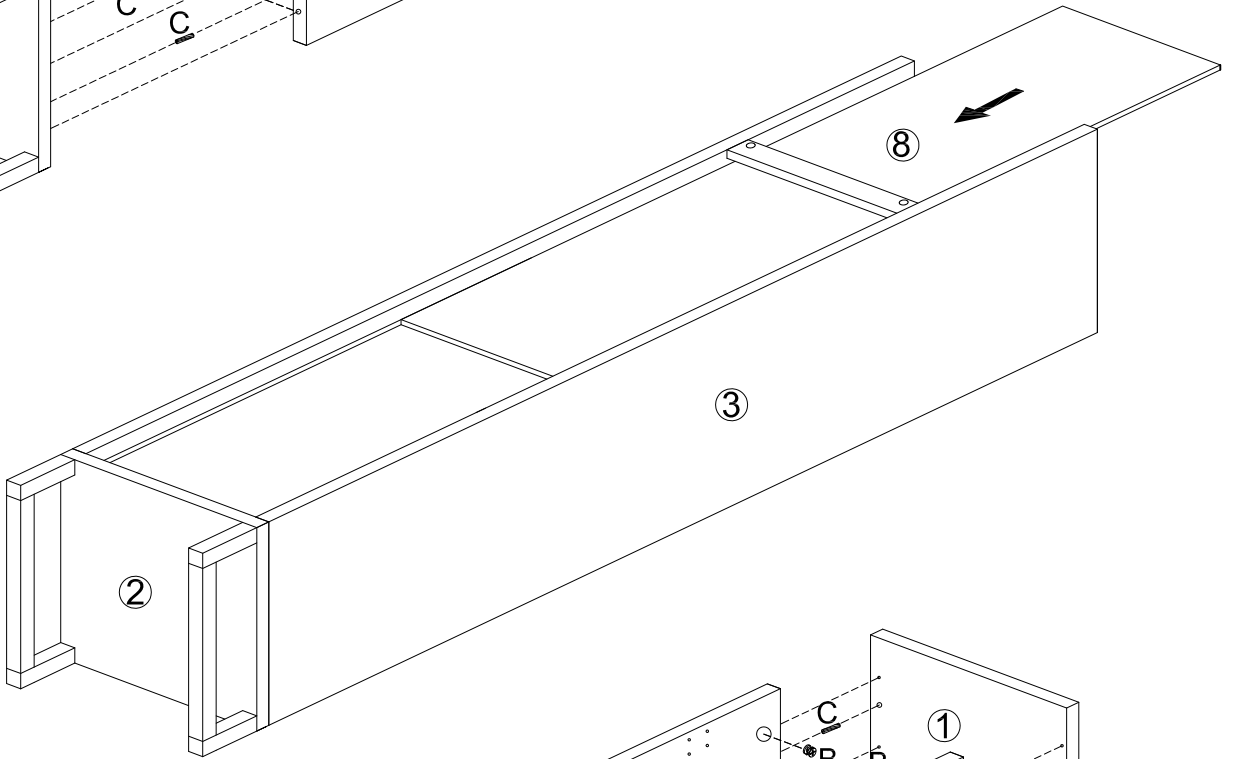
4.



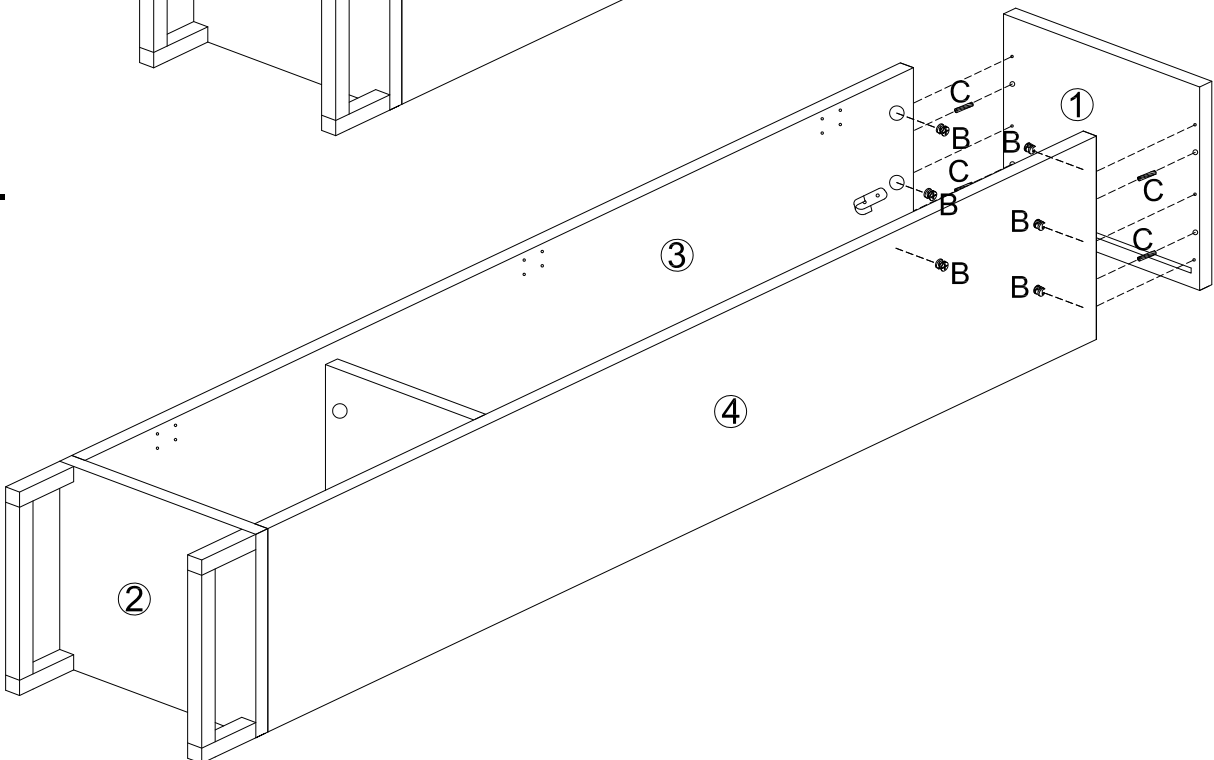
5.



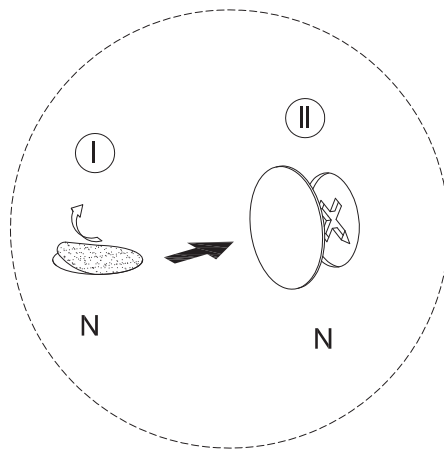
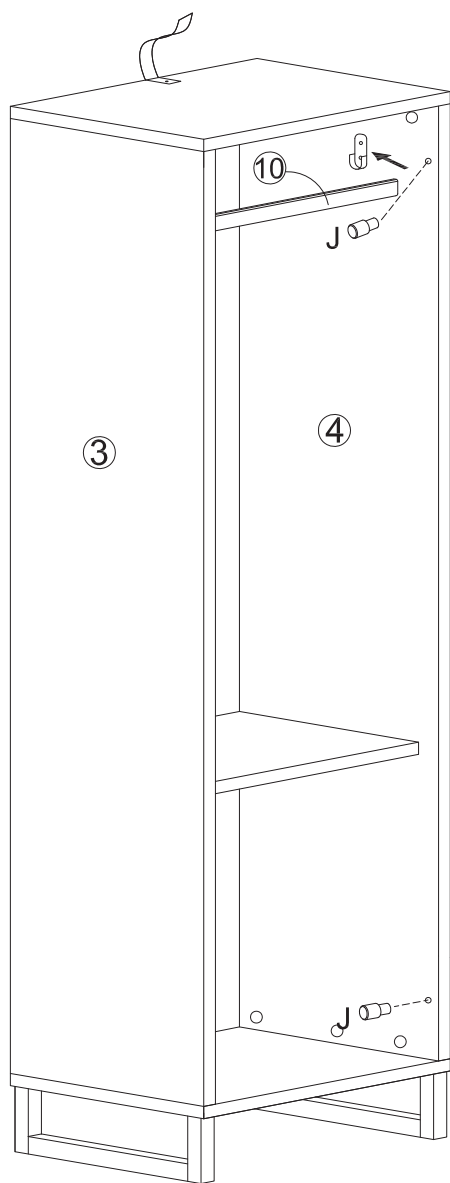
6.



7.

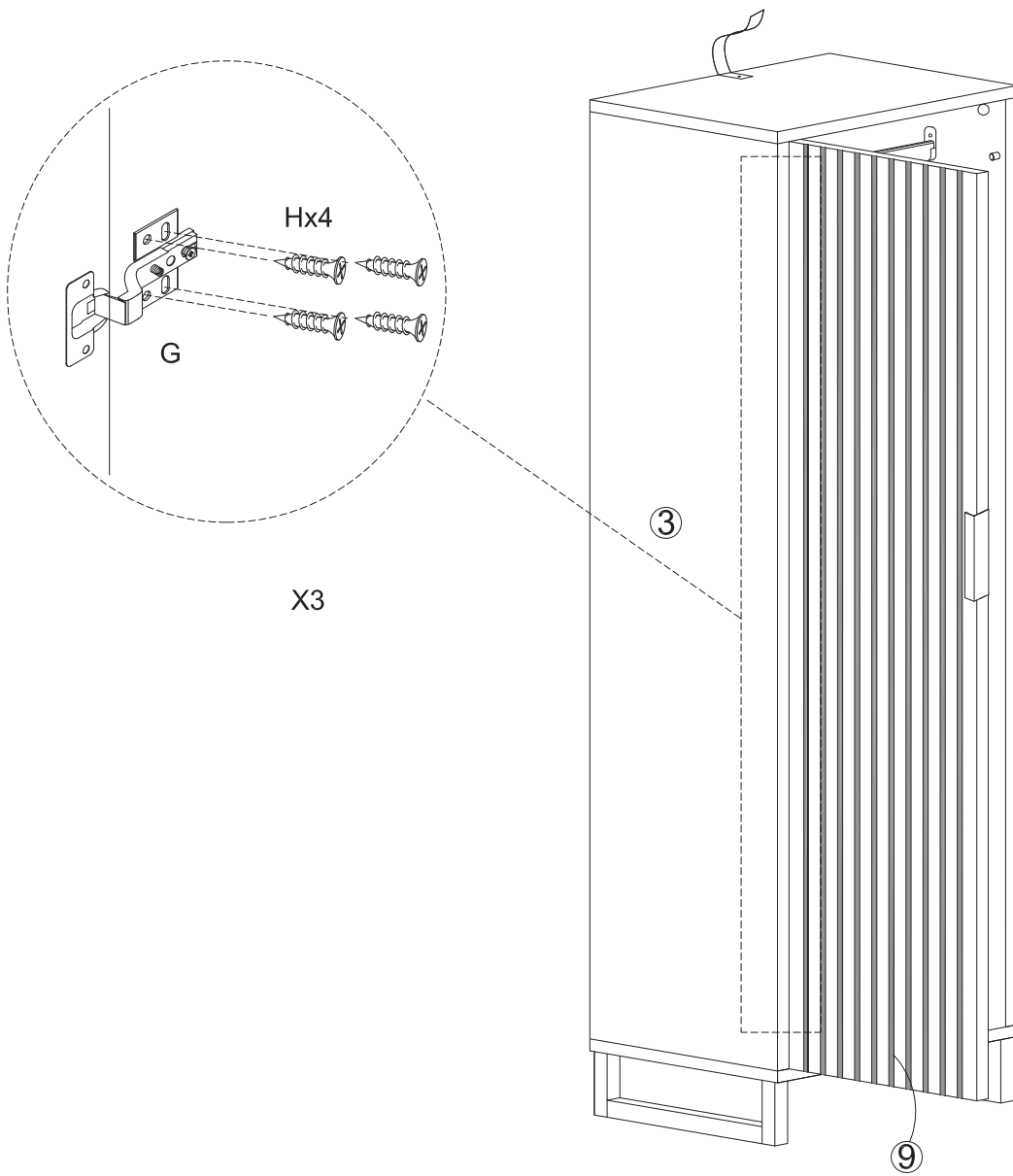


8.

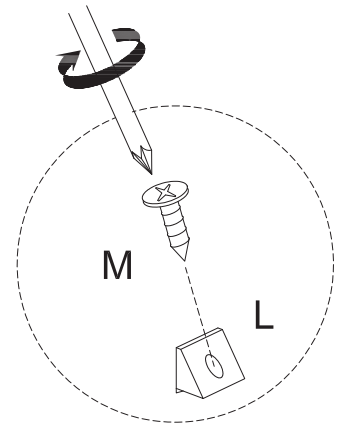
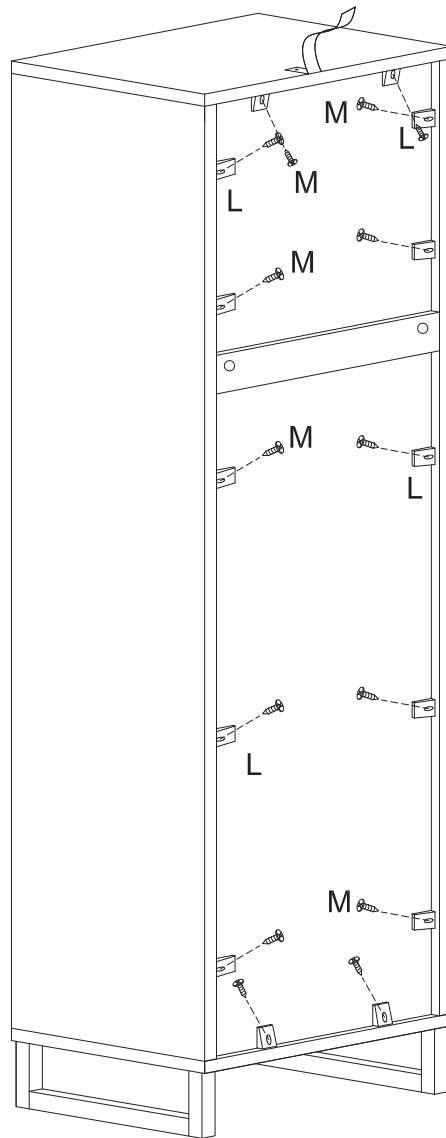


x12

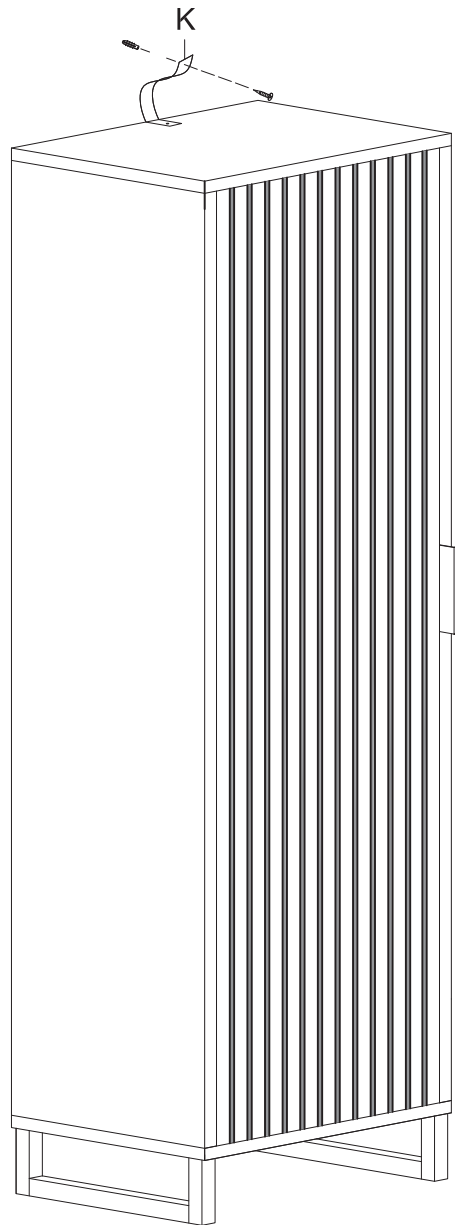
9.



10.



11.



**Fitting K should be used to secure your ST CALX LOCKER to the wall. Screws and fittings for wall are not supplied as different wall constructions require fittings that are suitable for your wall type. If you are unsure for the correct type of fitting for your wall, please contact your local specialised hardware store for information on suitable fitting.**