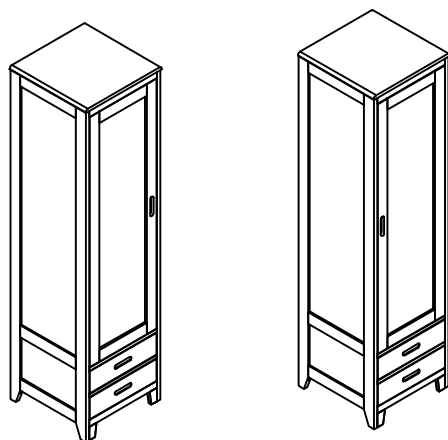


Assembly Instructions

Bedroom Storage - Oak Narrow Wardrobe

ROPO no:



FUTON

C O M P A N Y



PLEASE READ THESE INSTRUCTIONS VERY CAREFULLY BEFORE YOU BEGIN, TO ENSURE THAT YOUR FUTON COMPANY PRODUCT WILL GIVE YOU MANY YEARS OF SATISFACTION

Thank you for buying a Futon Company product.

We are constantly striving to improve everything we do, but occasionally mistakes do occur. In the unlikely event that you find any part missing, please call your nearest Futon Company store and we will arrange for the despatch of an immediate replacement. Please keep all packaging until you have checked every part and assembly of your Futon Company product is complete.

Version number: 1 Product code: ST WARD NRW V4 Date: 04/11/2022

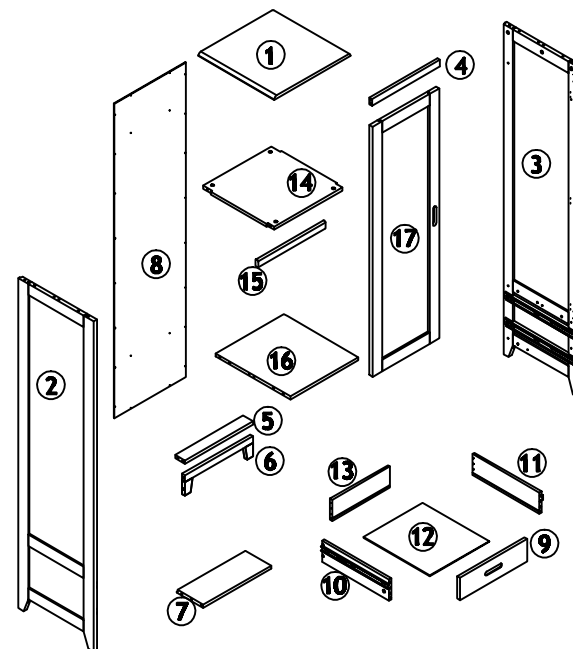
experts in small space living



Parts Checklist

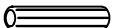
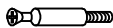








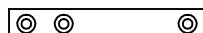
Please count and check every component very carefully before you begin

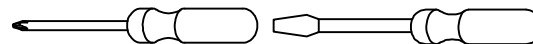
- ① Top plate x1
- ② Side panel L x1
- ③ Side panel R x1
- ④ Top rail x1
- ⑤ Front rail x1
- ⑥ Bottom leg x1
- ⑦ Bottom plate x1
- ⑧ Back panel x1
- ⑨ Drawer front x2
- ⑩ Drawer side L x2
- ⑪ Drawer side R x2
- ⑫ Drawer bottom x2
- ⑬ Drawer back x2
- ⑭ Upper shelf x1
- ⑮ Clothes rail x1
- ⑯ Lower shelf x1
- ⑰ Door x1



Fittings Checklist

Please count and check every component very carefully before you begin

- | | | | |
|---|---|---|---|
|  |  |  |  |
| ① Wooden Dowel x 24 | ② Cam Bolt x 34 | ③ Cam x 34 | ④ Hinge x 3 |
|  |  |  | |
| ⑤ Screw(4x30) x 12 | ⑥ Screw(3x12) x 66 | ⑦ Screw(4x16) x 1 | |
|  |  |  |  |
| ⑧ Magnet x 2 | ⑨ Plate x 2 | ⑩ Pole Holder x 2 | ⑪ Wall Leash x 1 |



* Cross head and flat head Screwdriver also required for assembly

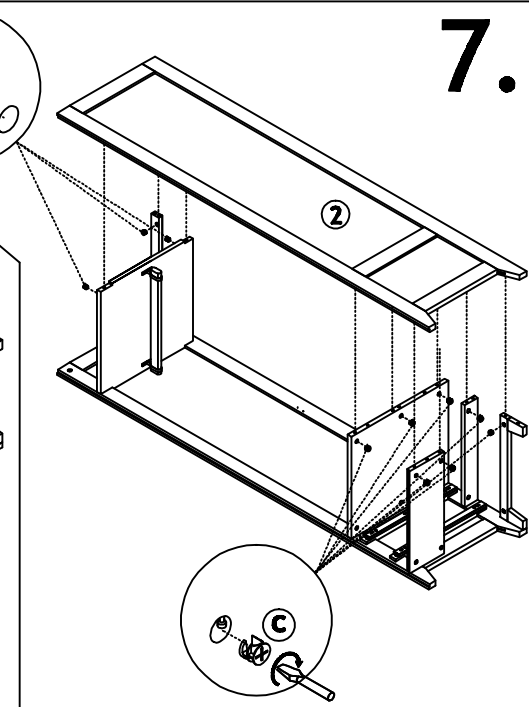
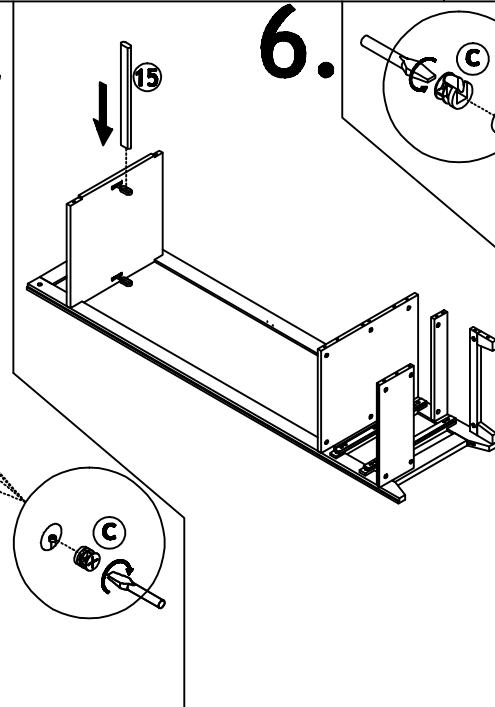
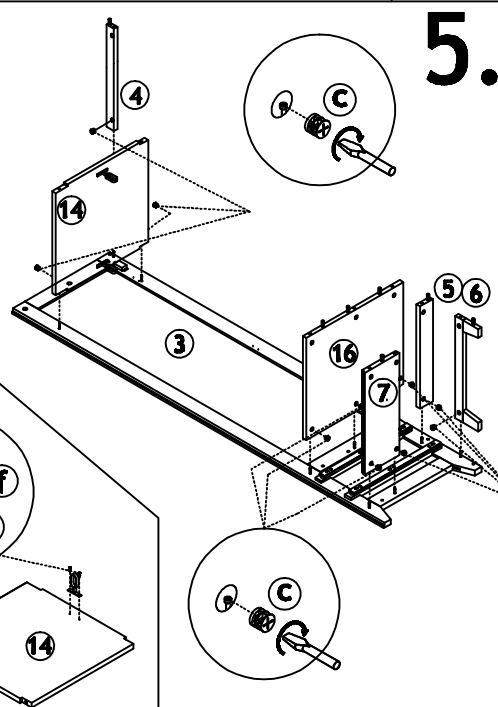
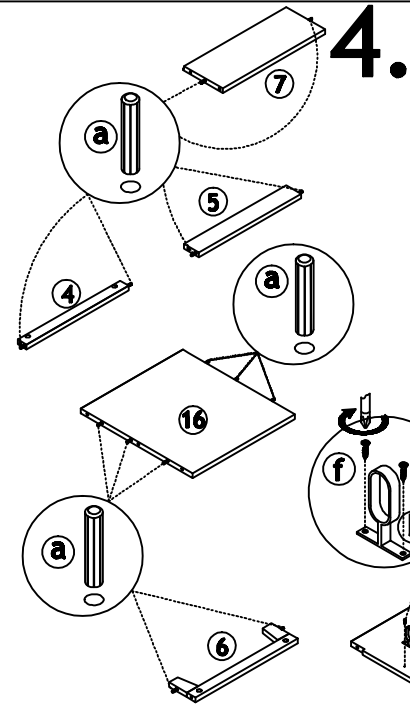
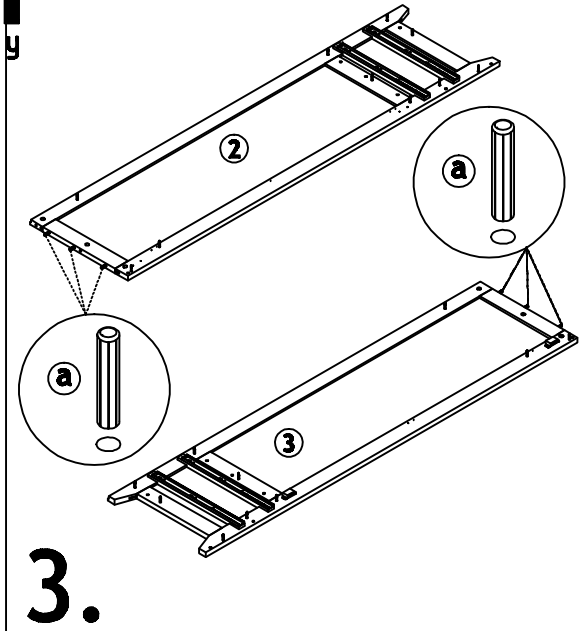
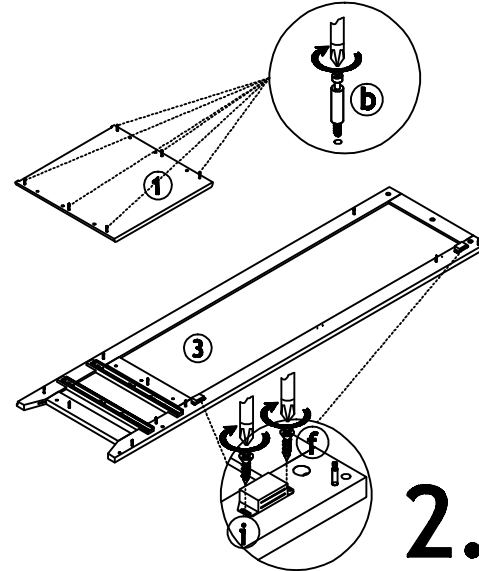
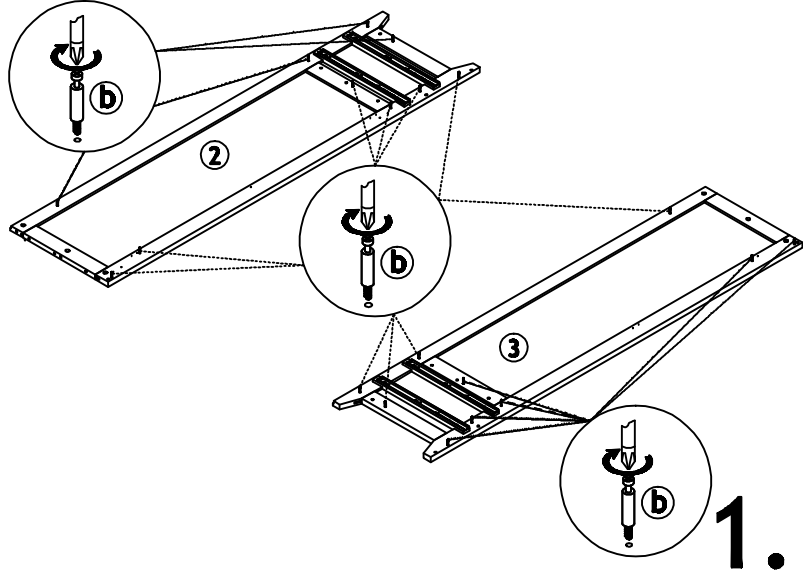


How To Assemble Your Wardrobe

Please follow these instructions carefully

FUTON

C O M P A N Y



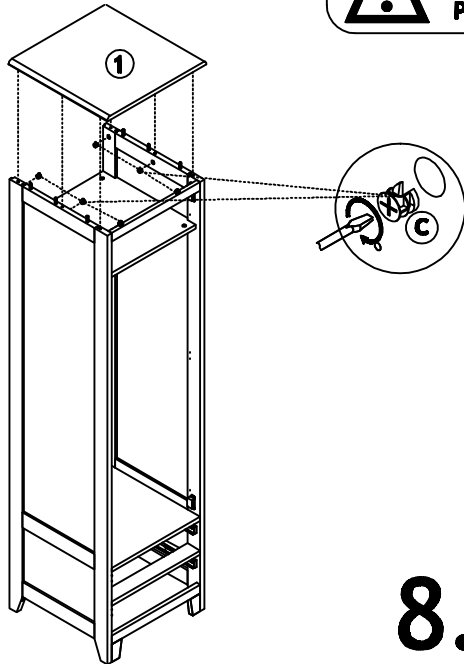


How To Assemble Your Wardrobe

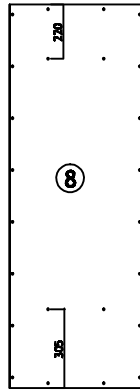
Please follow these instructions carefully

FUTON

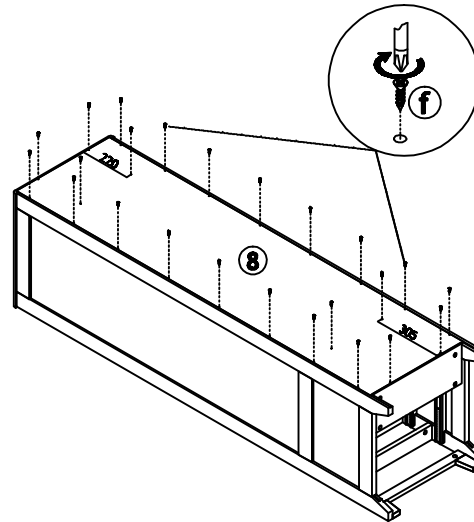
C O M P A N Y



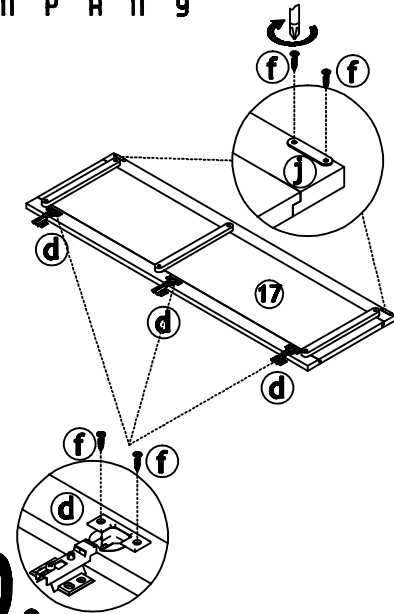
8.



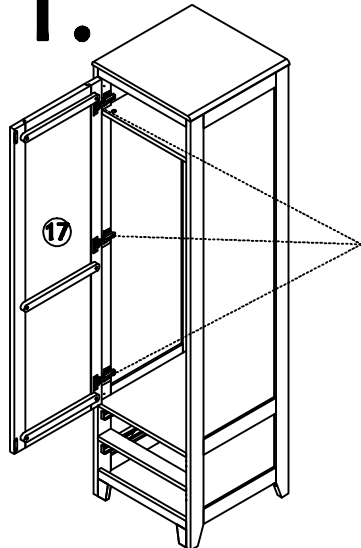
9.



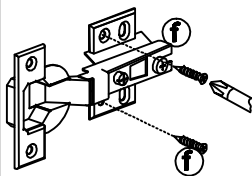
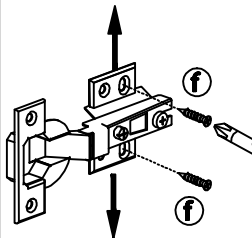
10.



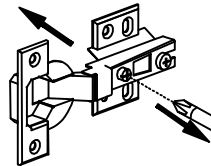
11.



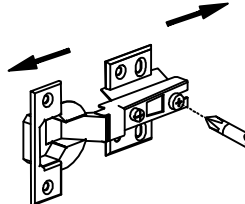
Fix these screws first when attaching doors to Wardrobe unit.



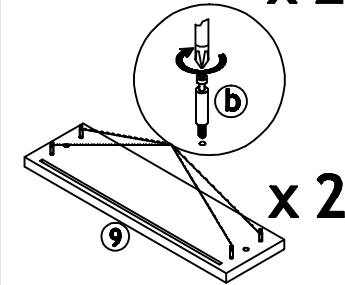
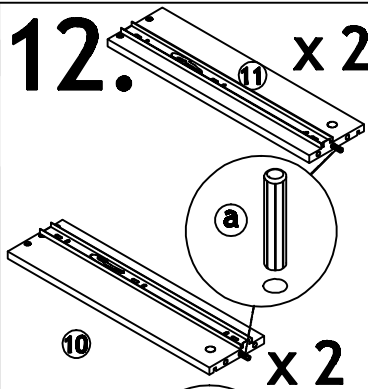
The door can be adjusted right or left by this screw.



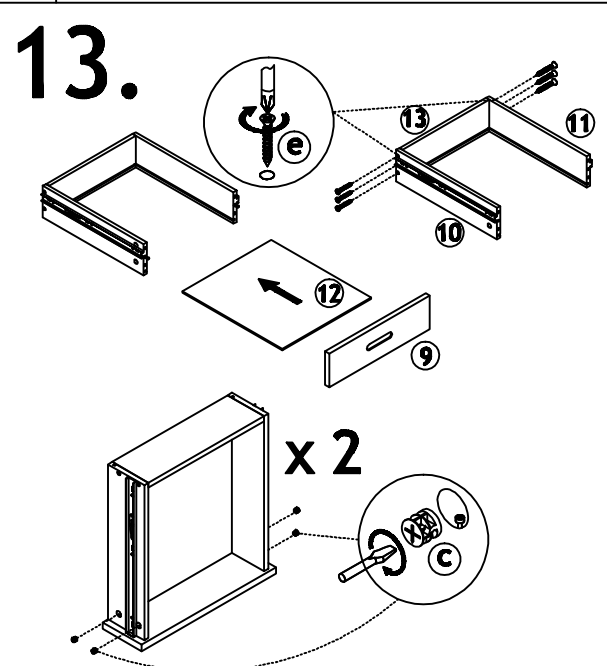
The door can be adjusted front or back by this screw.



12.



13.



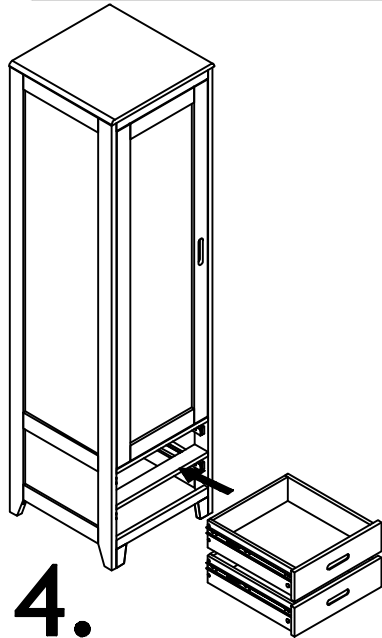


How To Assemble Your Wardrobe

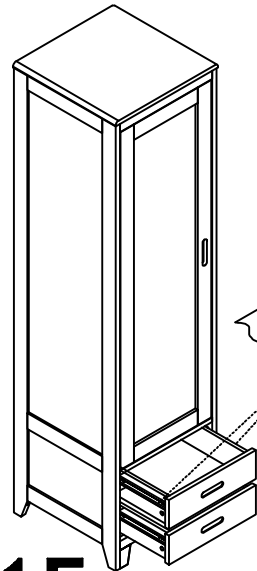
Please follow these instructions carefully

FUTON

C O M P A N Y

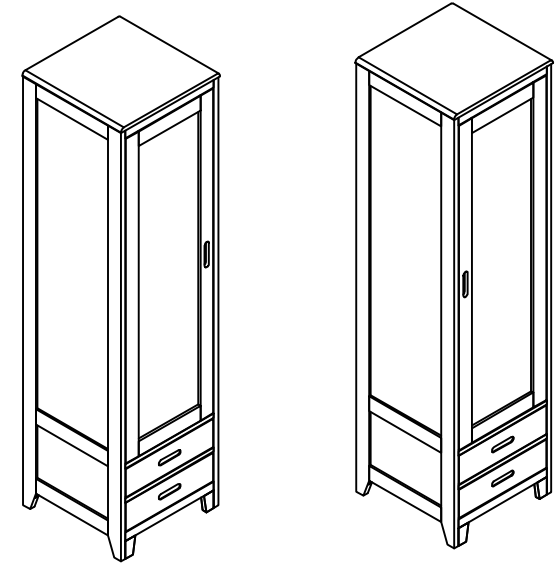
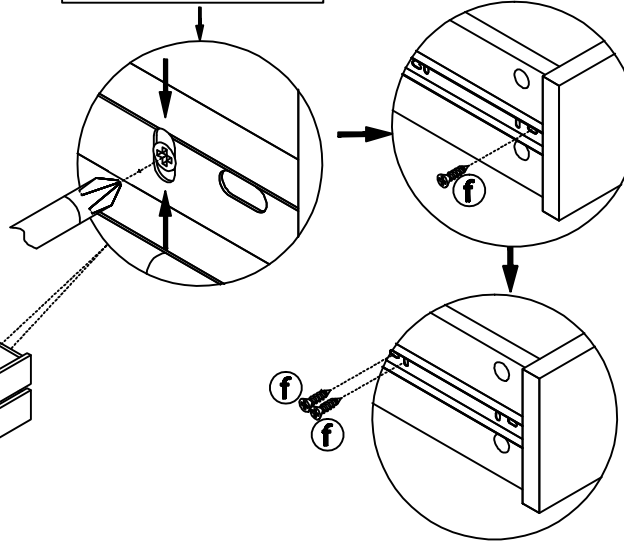


14.



15.

The drawer runner height can be adjusted here.

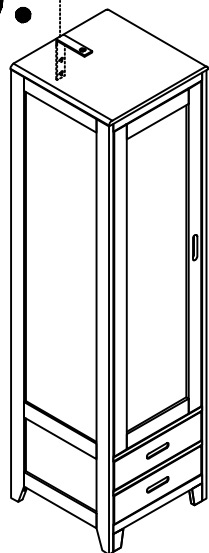


How To Use

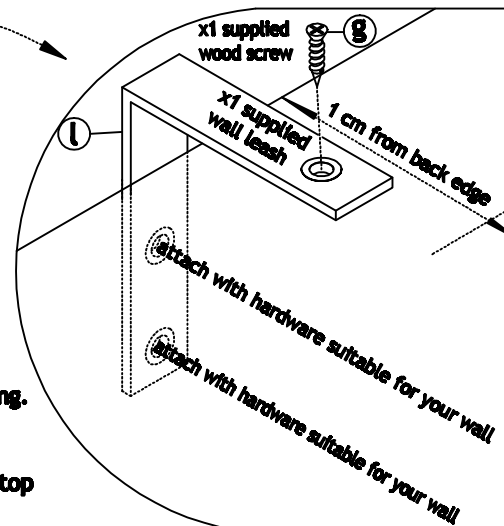
Please read carefully

16.

IMPORTANT! a wall leash must be used with this product



1. Before moving the unit into place establish the correct height to attach the 'wall leash' to the wall.
2. Attach the two hole end of the leash to the wall with hardware suitable for your wall. Screw fixings to attach the leash to the wall are not included as different wall materials require different types of fixing. Contact your local specialised hardware store for advice on suitable fixing.
3. Move your furniture into place and attach the one hole end of the leash, with the supplied wood screw, 1cm from the rear/top edge of the top of the unit.



FINISH
Your Wardrobe is made from solid Oak and Oak Veneer.

CARE
To clean your Wardrobe, wipe with a damp cloth followed by a dry cloth.

IMPORTANT
To ensure maximum performance from this product, we advise that you check and tighten all bolts and screws on a regular basis to avoid damage and strain to parts.

GUARANTEE
This instruction leaflet forms part of your guarantee. Please retain it. The ROPO number along with your invoice number will need to be quoted in all correspondence with Futon Company.
Thank you for choosing Futon Company.