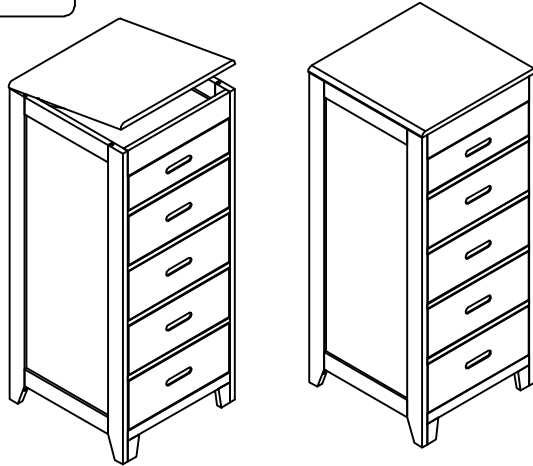


# Assembly Instructions



## Bedroom Storage - Narrow Vanity Chest of Drawers

ROPO no:



**PLEASE READ THESE INSTRUCTIONS VERY CAREFULLY BEFORE YOU BEGIN, TO ENSURE THAT YOUR FUTON COMPANY PRODUCT WILL GIVE YOU MANY YEARS OF SATISFACTION**

Thank you for buying a Futon Company product.

We are constantly striving to improve everything we do, but occasionally mistakes do occur. In the unlikely event that you find any part missing, please call your nearest Futon Company store and we will arrange for the despatch of an immediate replacement. Please keep all packaging until you have checked every part and assembly of your Futon Company product is complete.

Version number: 1    Product code: ST VAN NRW    Date: 01/11/2022

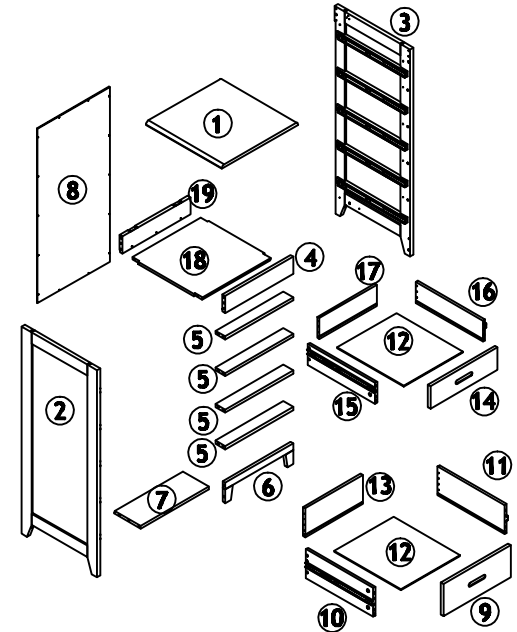
*experts in small space living*



### Parts Checklist


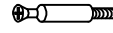





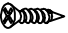




Please count and check every component very carefully before you begin

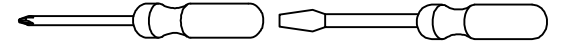
- ① Top plate x1
- ② Side panel L x1
- ③ Side panel R x1
- ④ Top rail x 1
- ⑤ Front rail x4
- ⑥ Bottom leg x1
- ⑦ Bottom plate x1
- ⑧ Back panel x1
- ⑨ Drawer front x4
- ⑩ Drawer side L x4
- ⑪ Drawer side R x4
- ⑫ Drawer bottom x5
- ⑬ Drawer back x4
- ⑭ Top Drawer front x1
- ⑮ Top Drawer side L x 1
- ⑯ Top Drawer side R x 1
- ⑰ Top Drawer back x 1
- ⑱ Shelf x1
- ⑲ Back rail x1



### Fittings Checklist

Please count and check every component very carefully before you begin

-  **a** Wooden Dowel x 34
-  **b** Cam Bolt x 49
-  **c** Cam x 49
-  **d** Hinge x 2
-  **e** Screw(4x30) x 38
-  **f** Screw(3x12) x 44
-  **g** Screw(3x16) x 10
-  **h** Screw(4x16) x 9
-  **i** Stay x 2
-  **j** Base Connector x 2
-  **k** Top Connector x 2
-  **l** Wall Leash x 1



\* Cross head and flat head Screwdriver also required for assembly

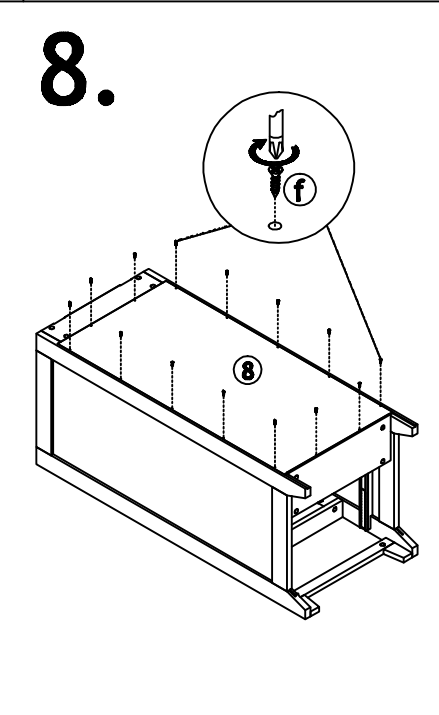
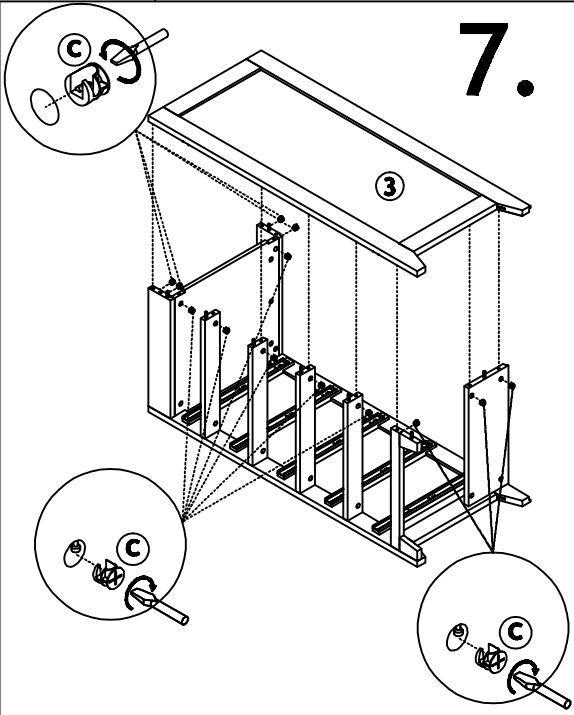
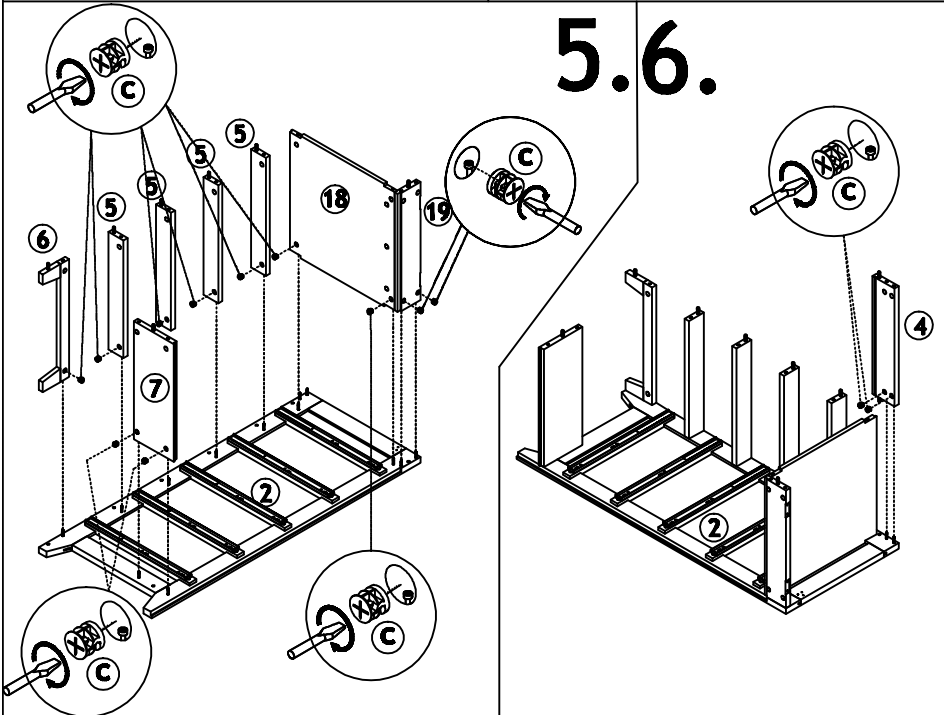
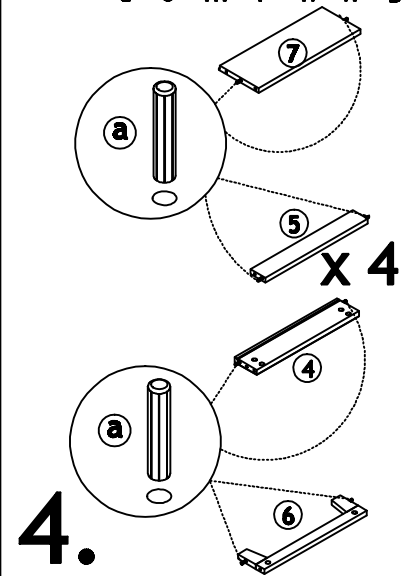
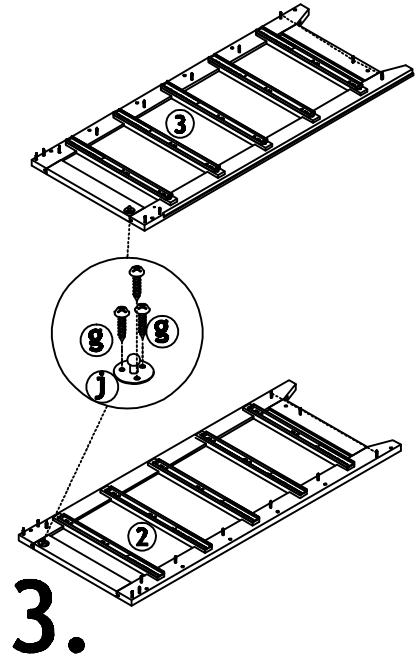
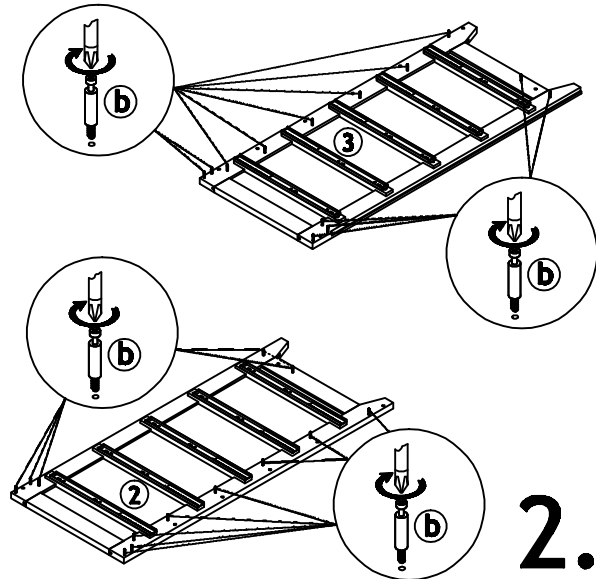
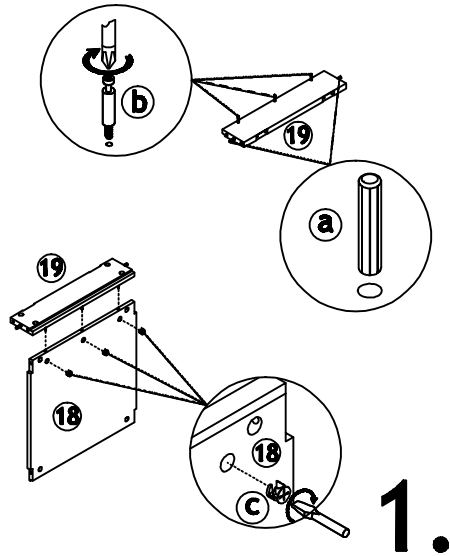


# How To Assemble Your Chest

Please follow these instructions carefully

# FUTON

COMPANY



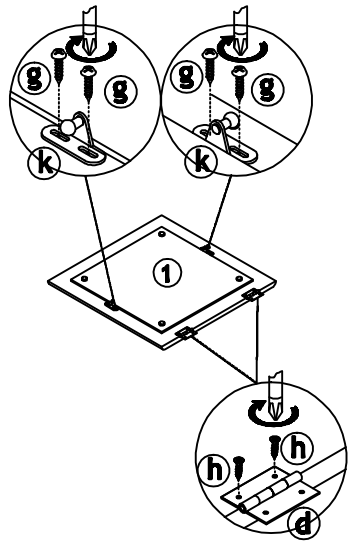


# How To Assemble Your Chest

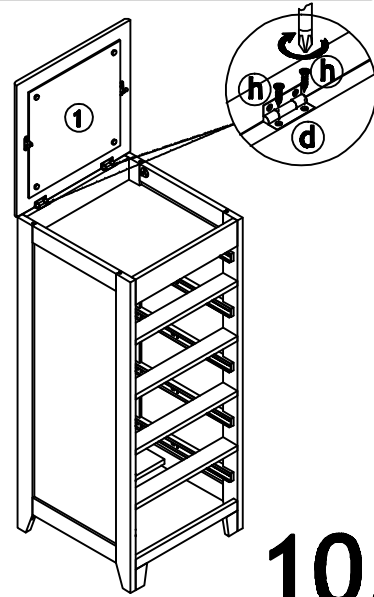
Please follow these instructions carefully

# FUTON

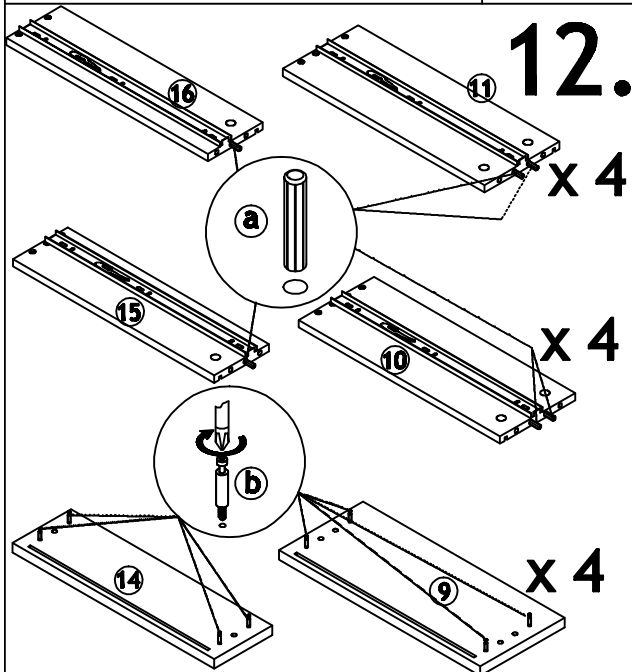
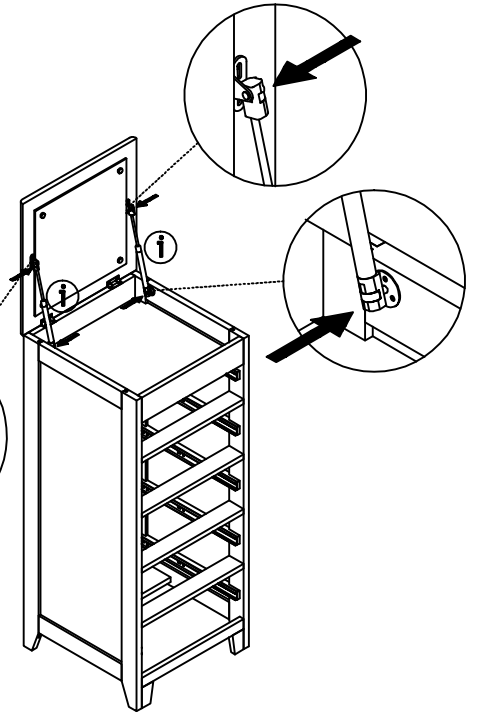
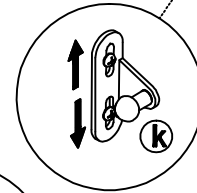
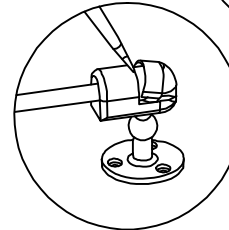
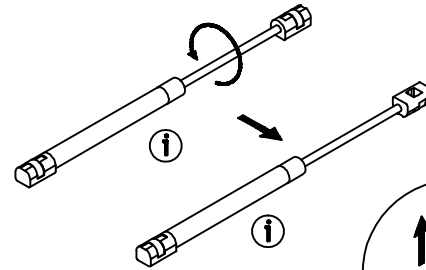
C O M P A N Y



9.

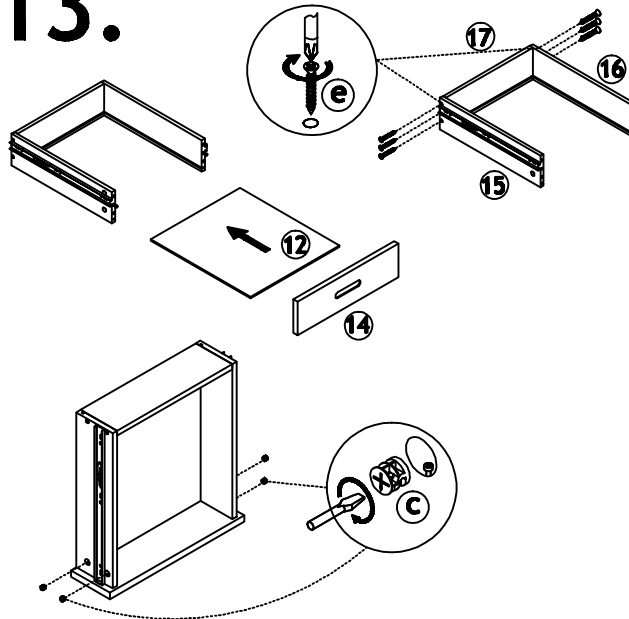


10.11.

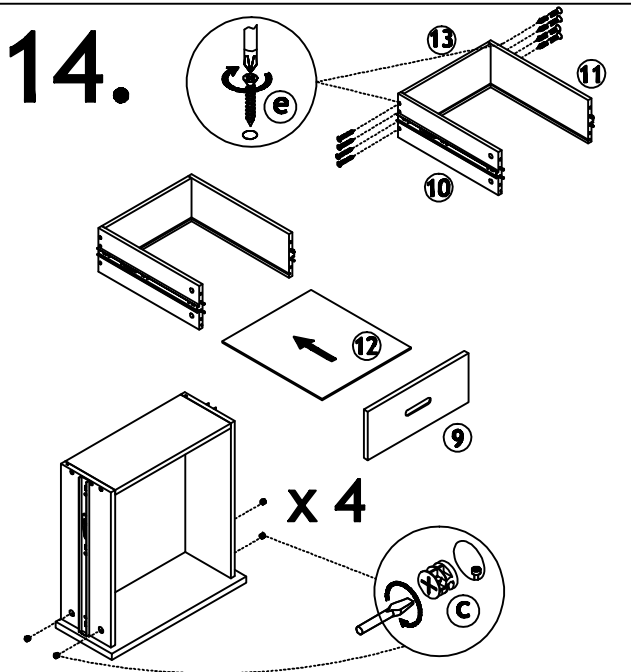


12.

13.



14.





# How To Assemble Your Chest

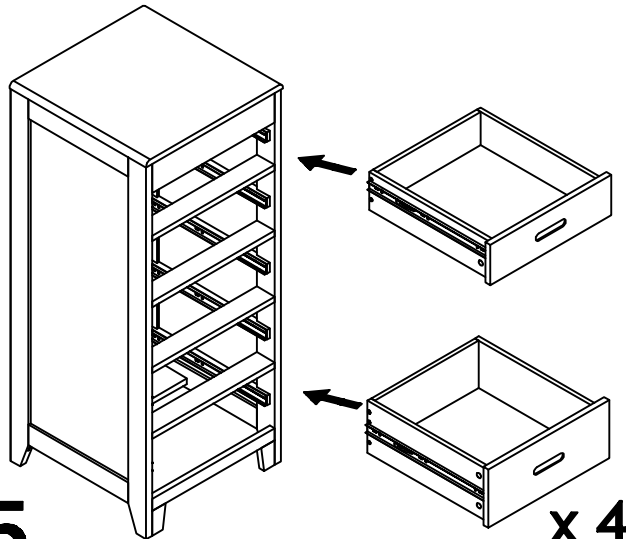
Please follow these instructions carefully

# FUTON

C O M P A N Y

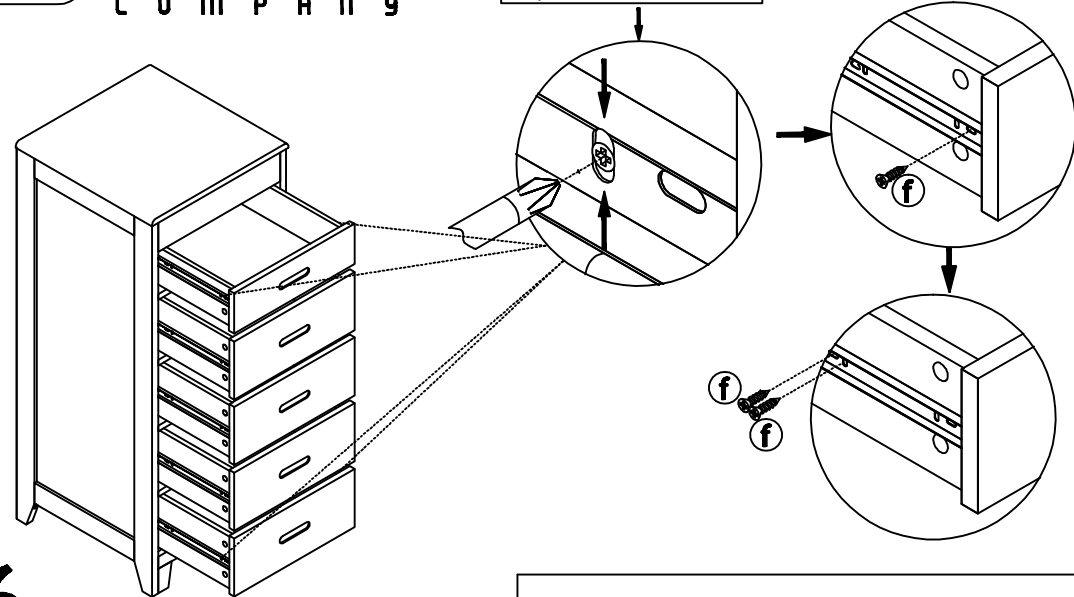
The drawer runner height can be adjusted here.

15.

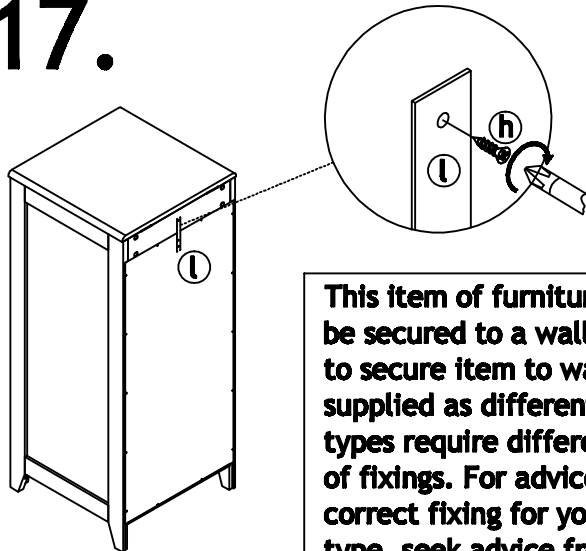


x 4

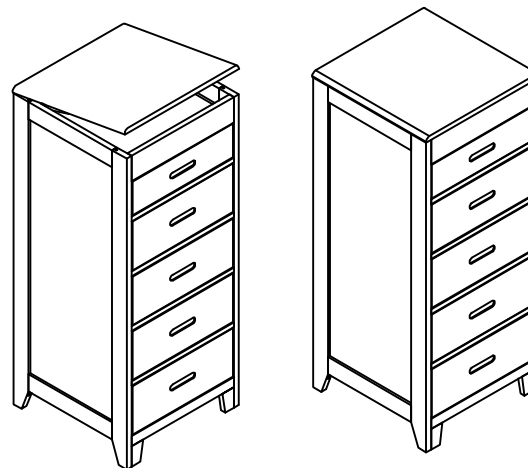
16.



17.



**This item of furniture MUST be secured to a wall. Fixings to secure item to wall are not supplied as different wall types require different types of fixings. For advice on the correct fixing for your wall type, seek advice from your local hardware store**



# How To Use

Please read carefully

**FINISH**  
Your Chest is made from solid oak and oak veneer.  
**CARE**

To clean your Chest, wipe with a damp cloth followed by a dry cloth.

### IMPORTANT

To ensure maximum performance from this product, we advise that you check and tighten all bolts and screws on a regular basis to avoid damage and strain to parts.

### GUARANTEE

This instruction leaflet forms part of your guarantee. Please retain it. The ROPO number along with your invoice number will need to be quoted in all correspondence with Futon Company.  
Thank you for choosing Futon Company.