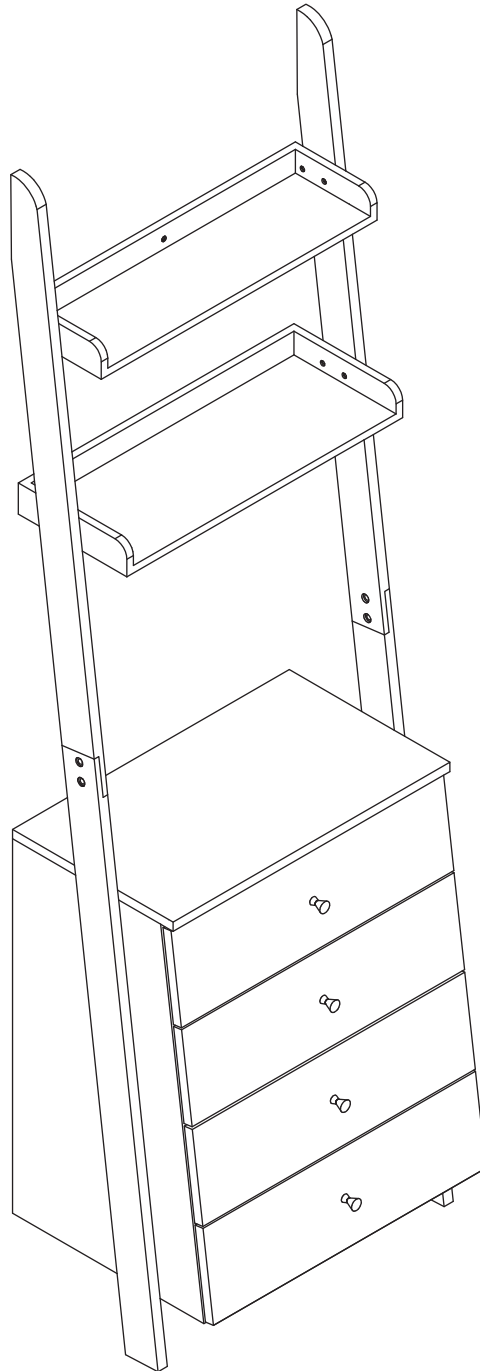


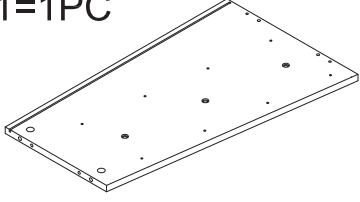
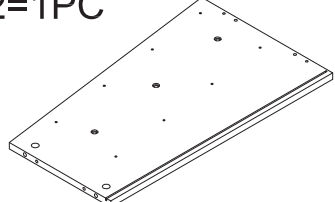
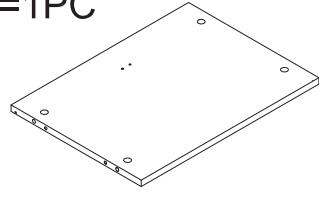
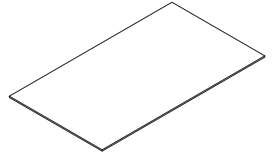
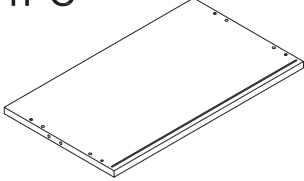
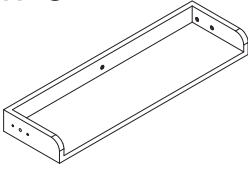
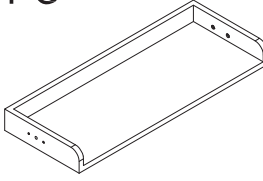

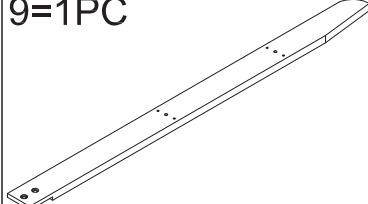
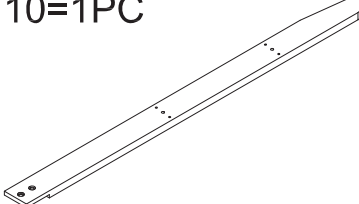
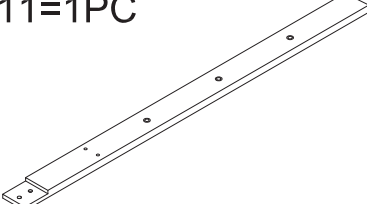
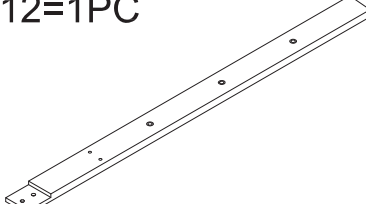
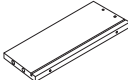
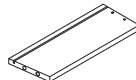

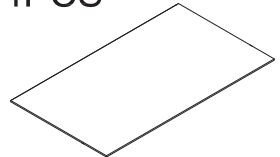
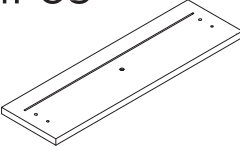
ASSEMBLY INSTRUCTION



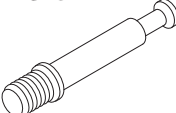


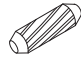
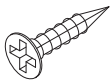
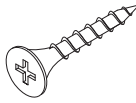
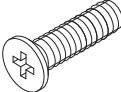
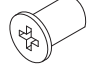
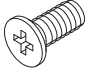
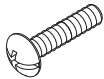
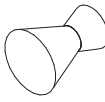
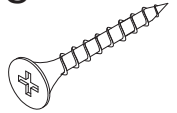
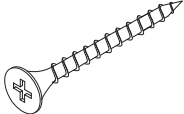
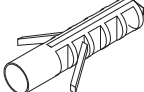
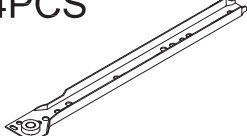
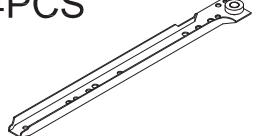
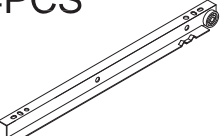
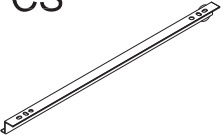
ST LAD COD



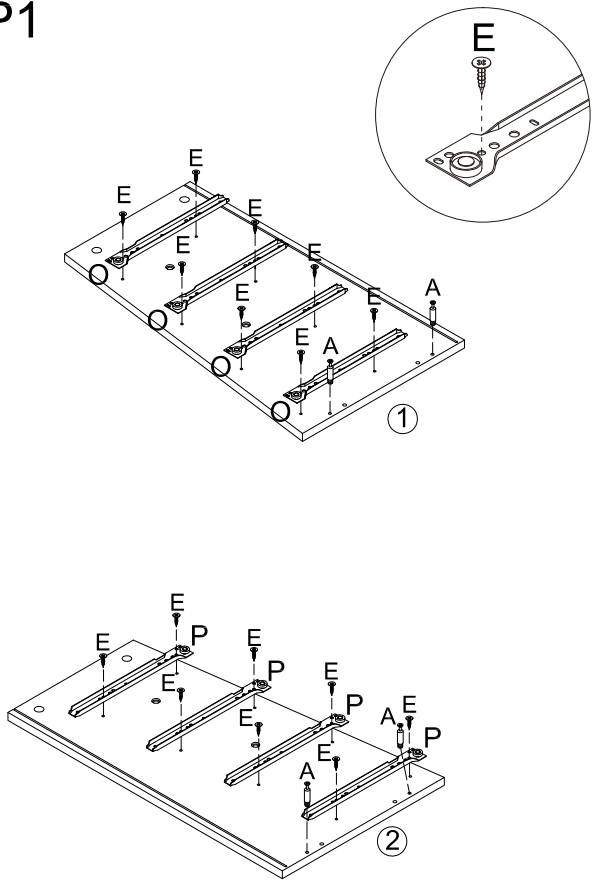
Parts List

1=1PC 	2=1PC 	3=1PC 	4=2PCS 
5=1PC 	6=1PC 	7=1PC 	8=1PC 
9=1PC 	10=1PC 	11=1PC 	12=1PC 
13=4PCS 	14=4PCS 	15=4PCS 	16=4PCS 
17=4PCS 			

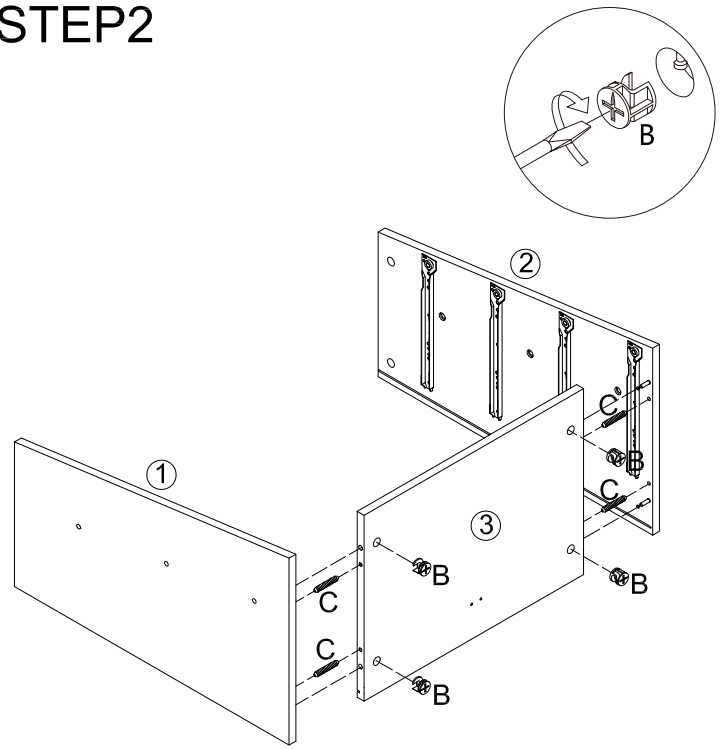
Hardware Included

A=24PCS 	B=24PCS 	C=12PCS 	D=4PCS 
E=32PCS 	F=8PCS 	G=6PCS 	H=4PCS 
I=4PCS 	J=4PCS 	K=4PCS 	L=18PCS 
M=1PC 	N=1PC 	O=4PCS 	P=4PCS 
Q=4PCS 	R=4PCS 		

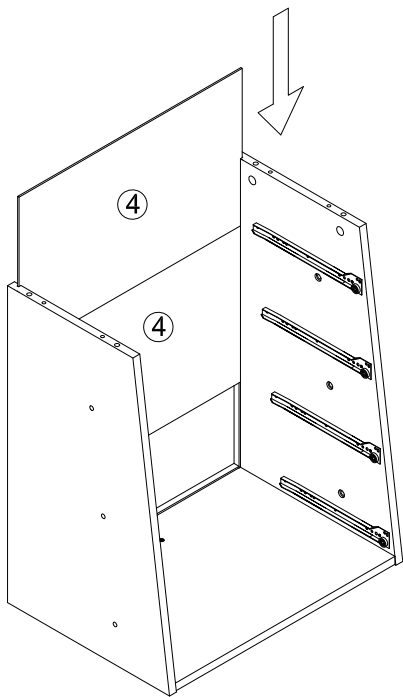
STEP1



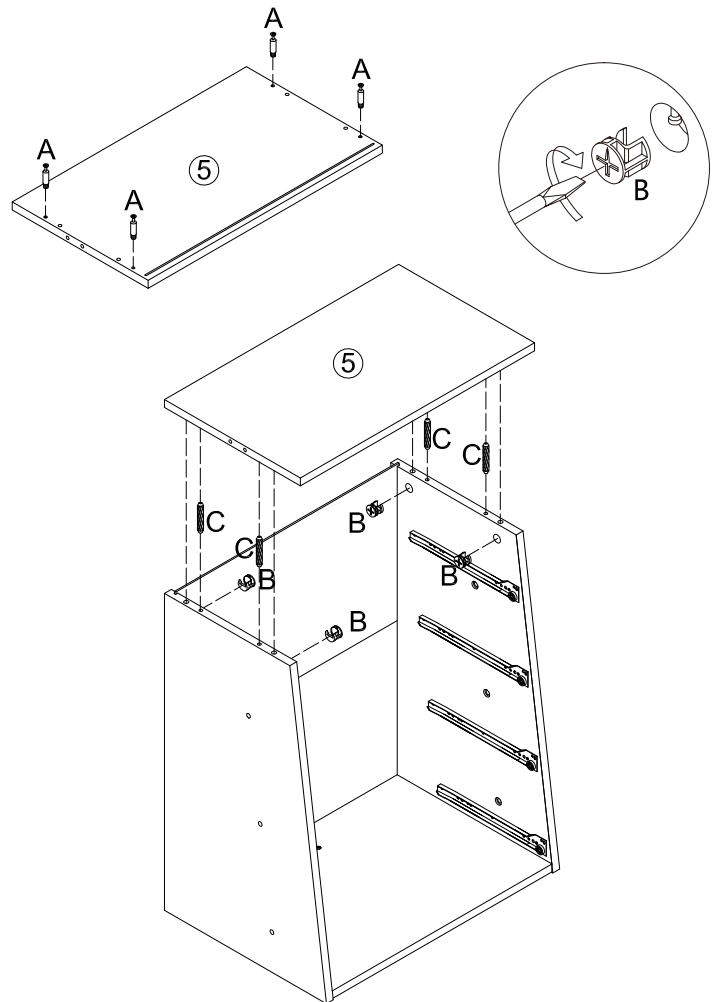
STEP2



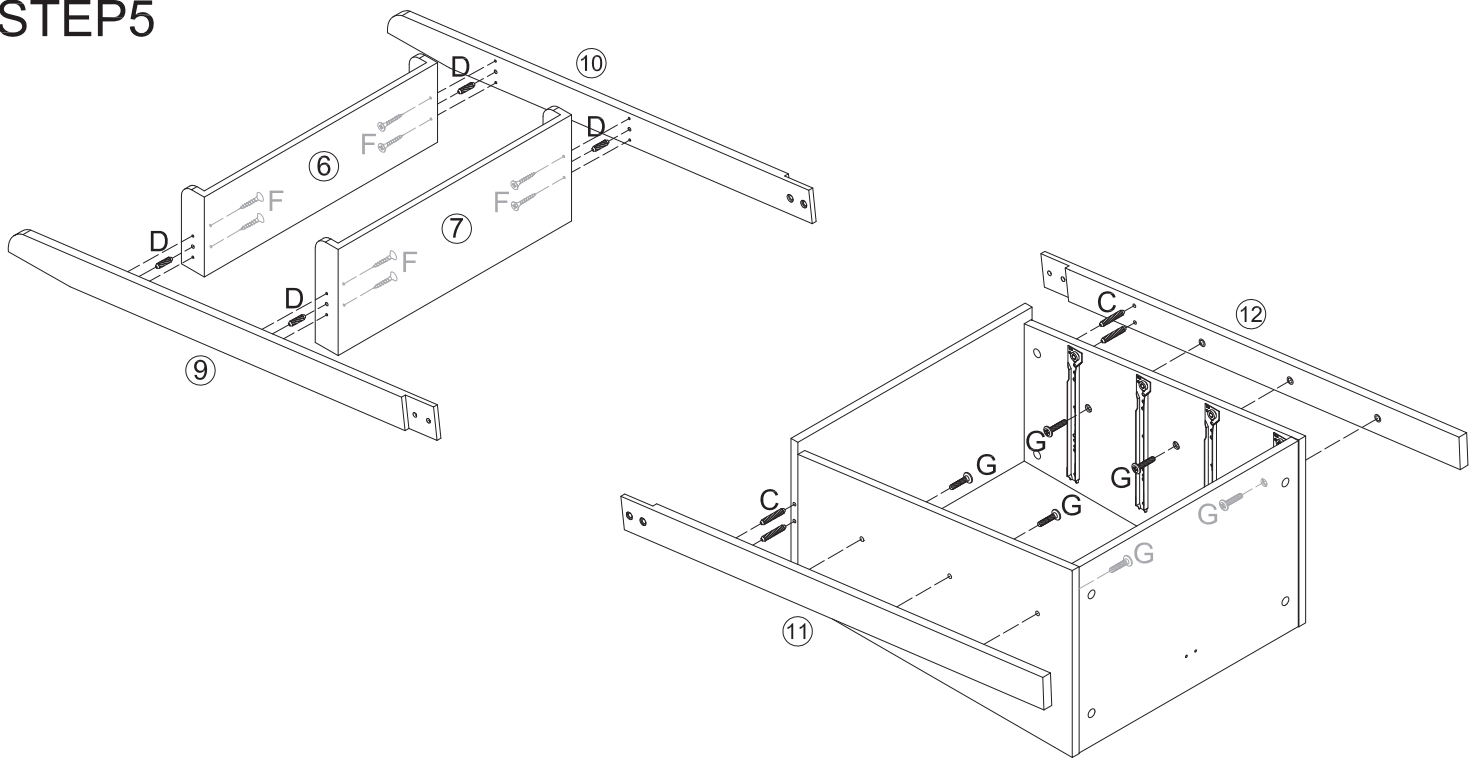
STEP3



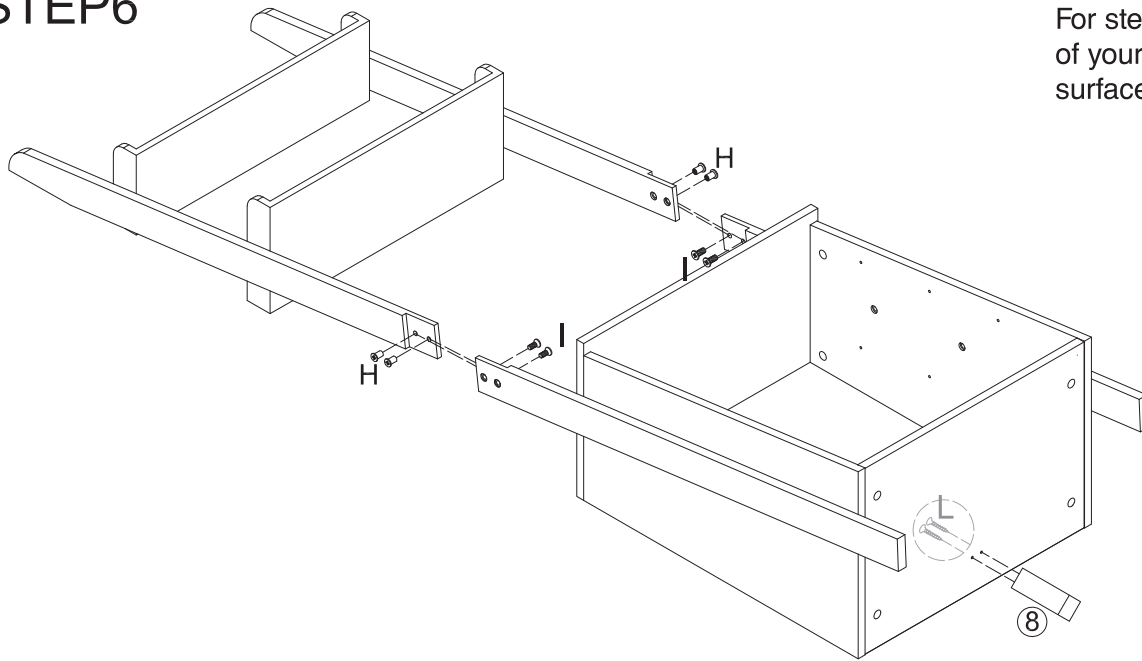
STEP4



STEP5

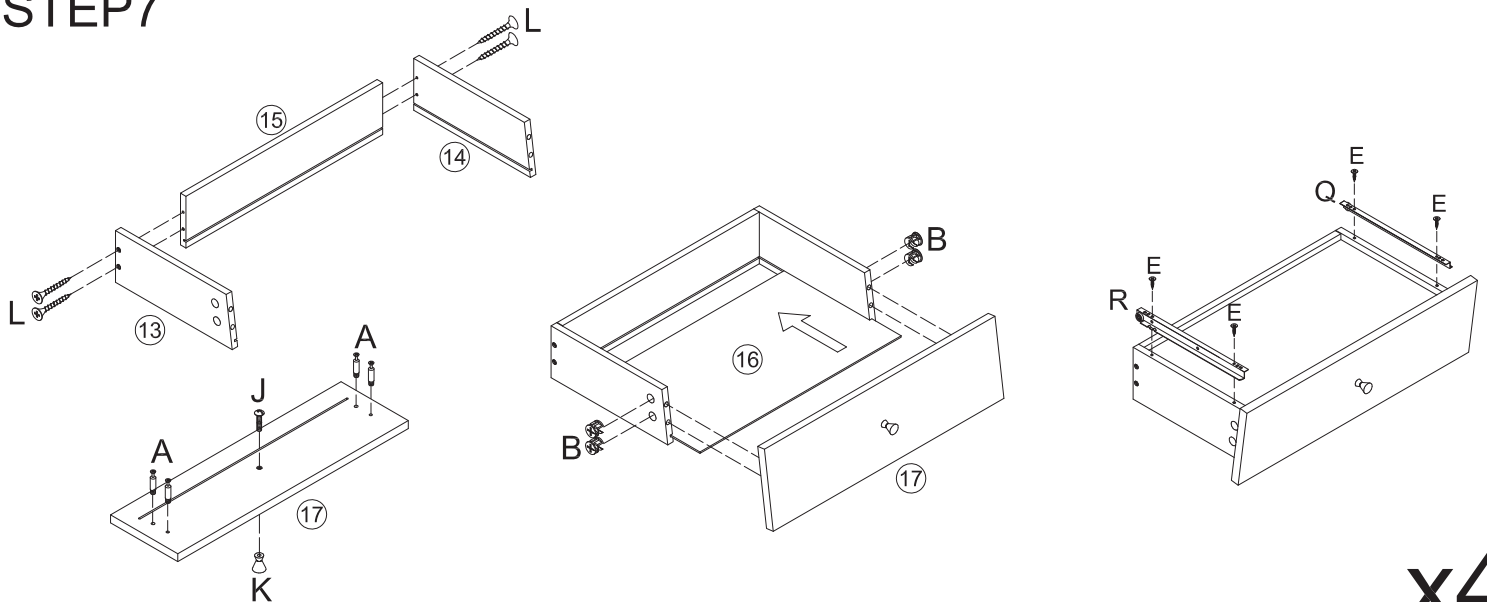


STEP6



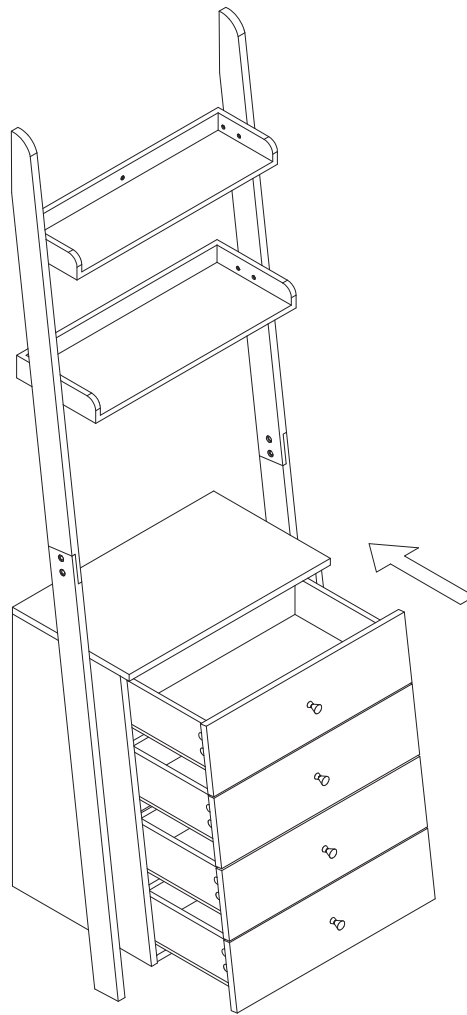
For step 6 lay the two sections of your ladder shelf on a flat surface before joining together

STEP7



x4

STEP8



STEP9

Follow step 9 to fix unit to wall. Fitting N is a standard wall fitting. For details on suitable fixing for your wall type seek advice from your local hardware store.

For safety reasons, we advise you to fix this item to the wall if young children or boisterous dogs are liable to bang into it. Never allow children to climb on furniture.

