

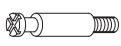














ASSEMBLY INSTRUCTIONS

Darcy Chest of Drawers

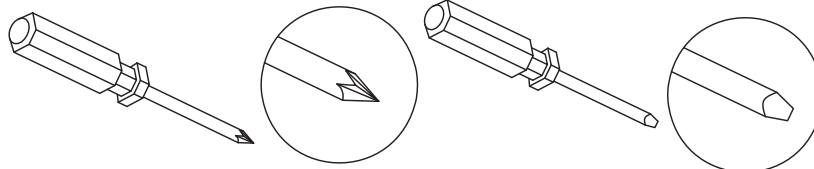
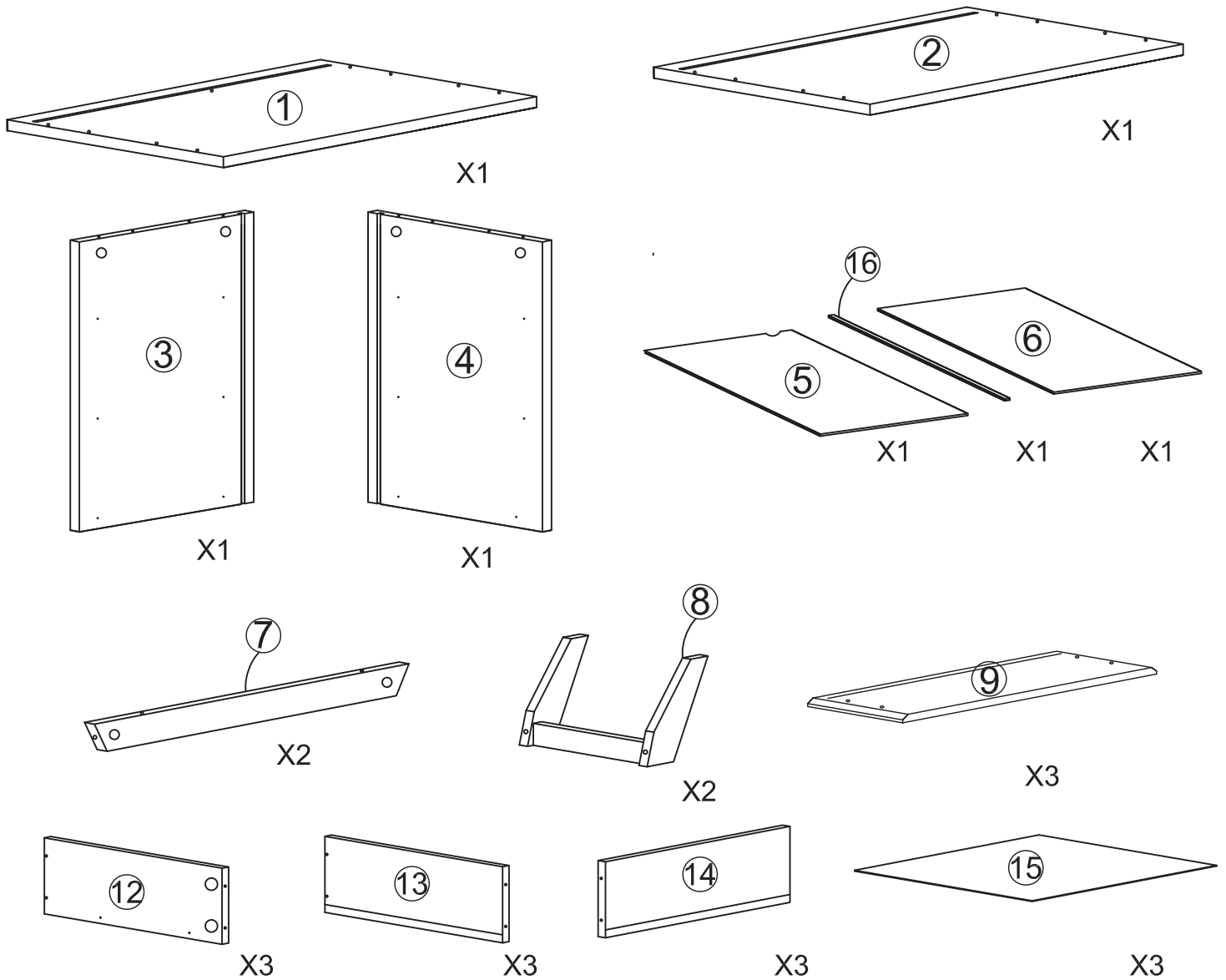
FUTON
C O M P A N Y

Fittings check list

ST COD DARCY

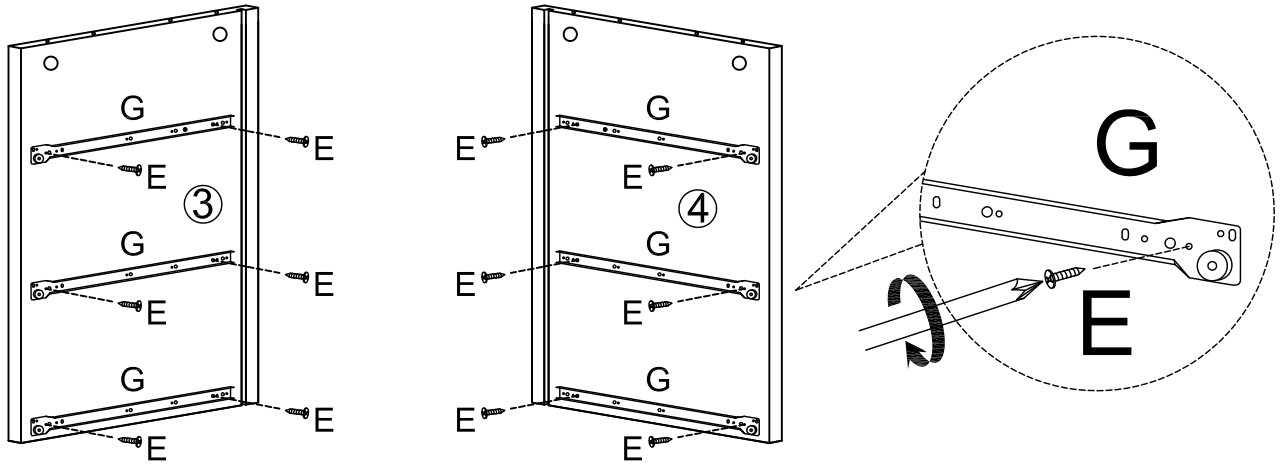
A	B	C	D	E	F	G	H	I	J	N
										
16 PIECES	16 PIECES	8 PIECES	8 PIECES	24 PIECES	12 PIECES	6 PIECES	6 PIECES	4 PIECES	4 PIECES	8 PIECES
O	M	W	Y							
		 X1 WALL LEASH								
8 PIECES	4 PIECES		1 PIECE							

Parts check list

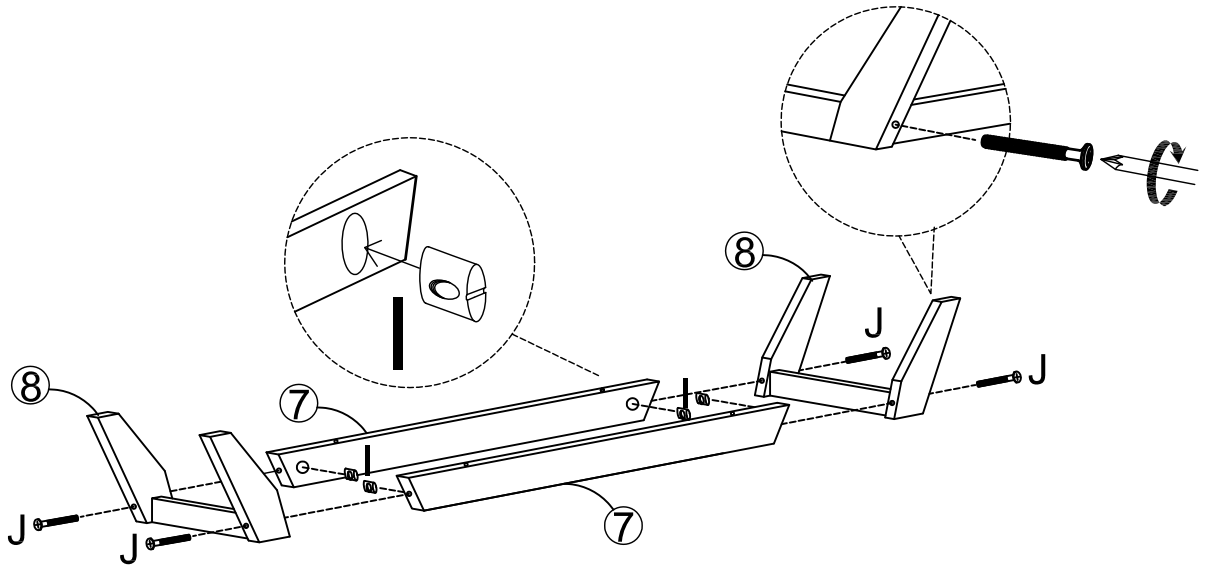


*Cross head and flat head screwdrivers also required for assembly

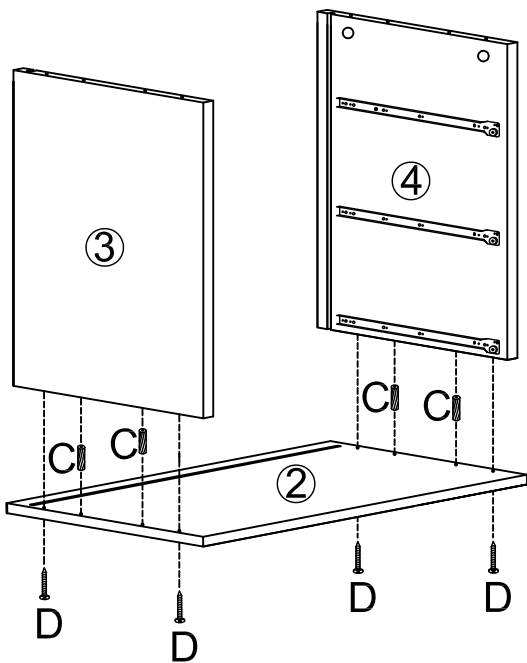
1.



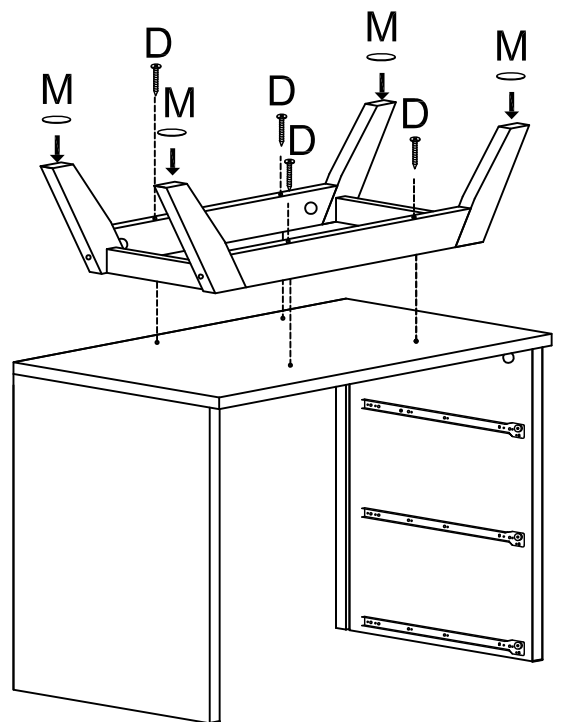
2.

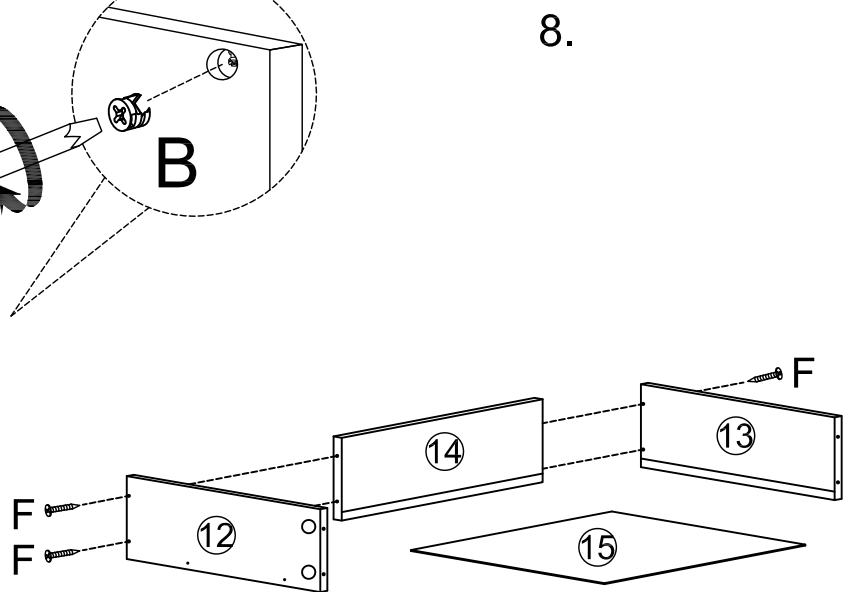
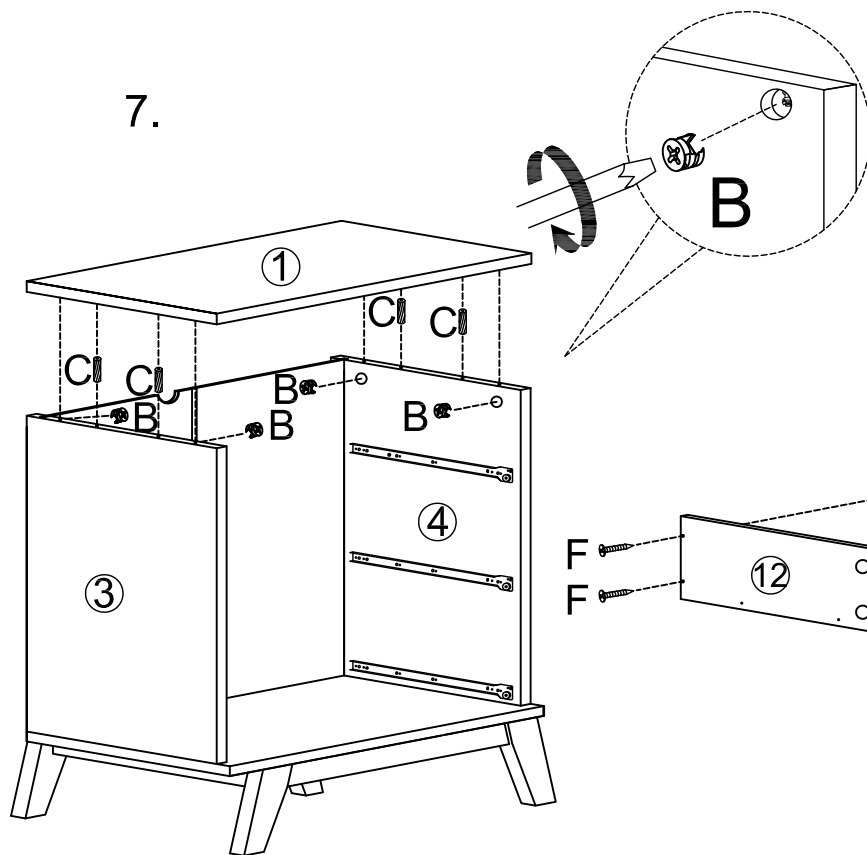
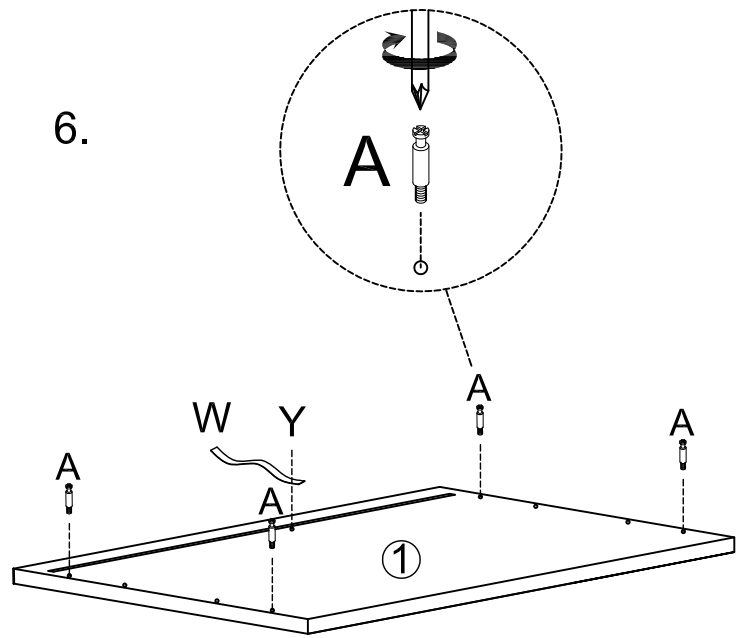
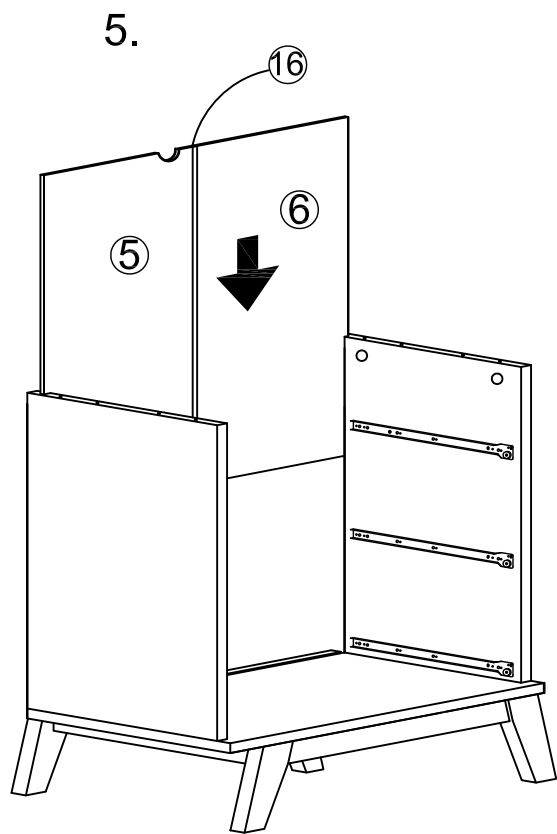


3.



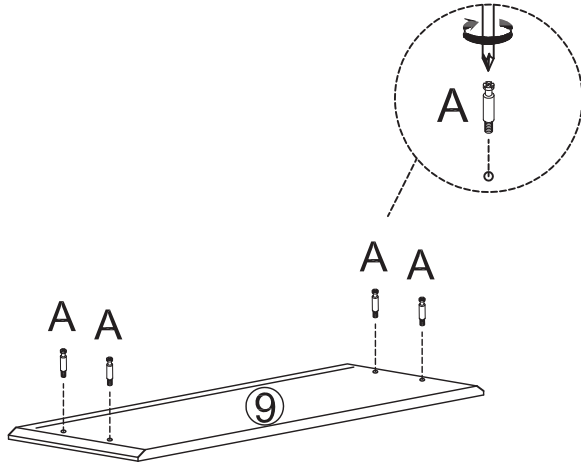
4.



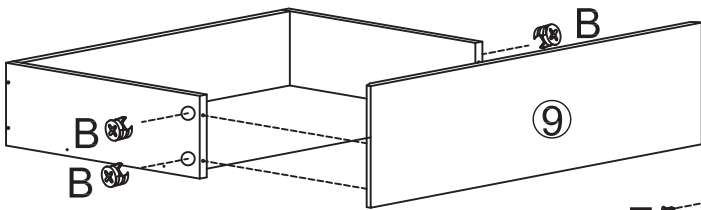


X3

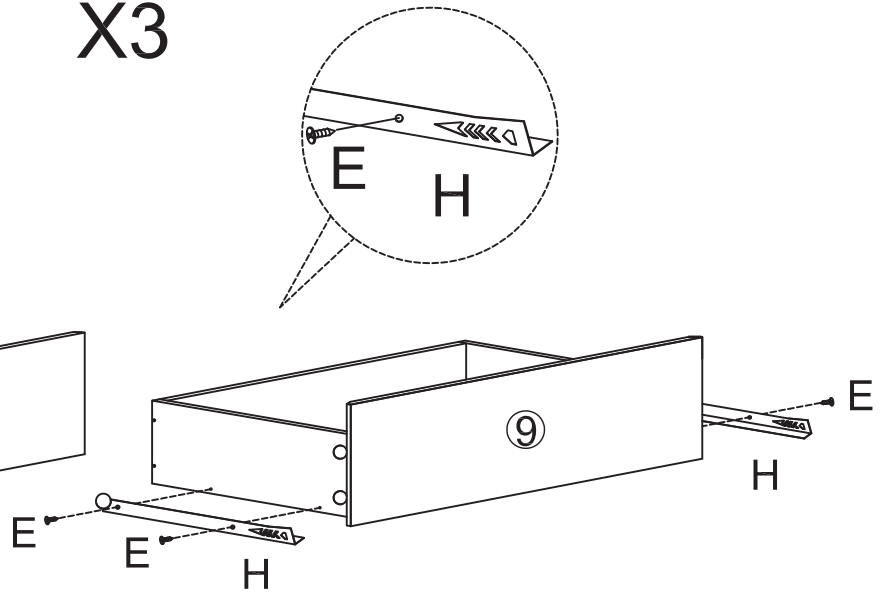
9.



X3

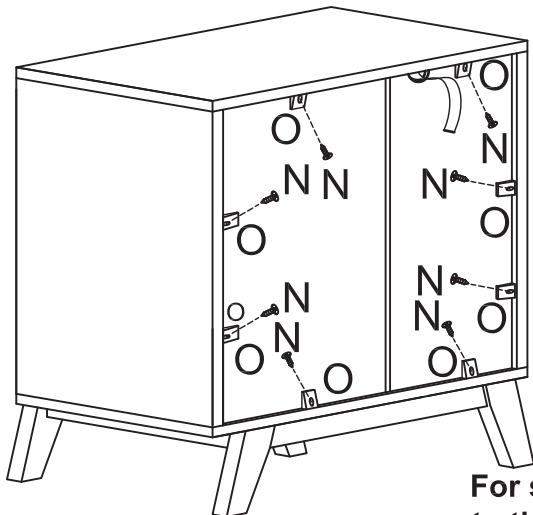


X3

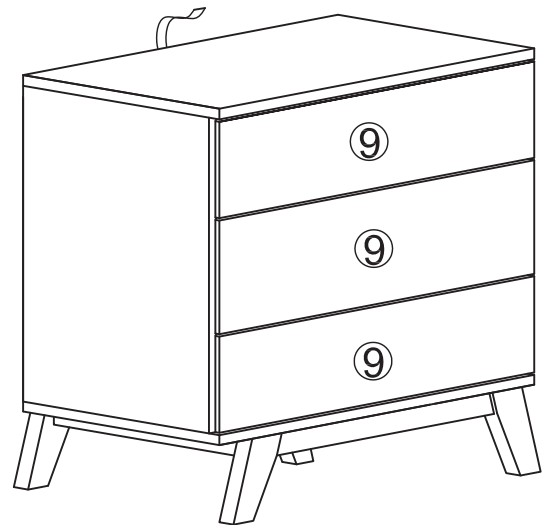
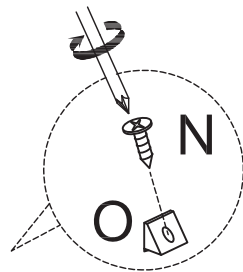


X3

10.



11.



For safety reasons, we do advise you to secure this product to the wall using wall leash provided.

A fixing to secure the wall leash to the wall is not supplied. For advice on the correct fixing for your wall type, please seek advice from your local hardware store