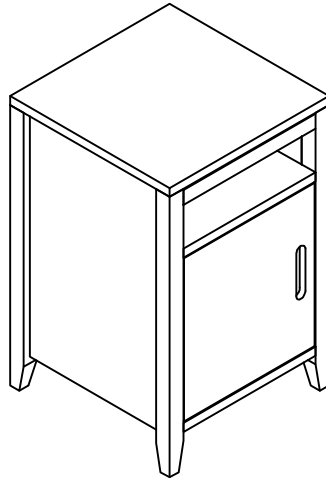


Assembly Instructions



Table - Oak Linda Bedside Cabinet

ROPO no:



PLEASE READ THESE INSTRUCTIONS VERY CAREFULLY BEFORE YOU BEGIN, TO ENSURE THAT YOUR FUTON COMPANY PRODUCT WILL GIVE YOU MANY YEARS OF SATISFACTION

Thank you for buying a Futon Company product.

We are constantly striving to improve everything we do, but occasionally mistakes do occur. In the unlikely event that you find any part missing, please call your nearest Futon Company store and we will arrange for the despatch of an immediate replacement. Please keep all packaging until you have checked every part and assembly of your Futon Company product is complete.

Version number: 1 Product code: ST CAB LINDA Date: 16/10/19

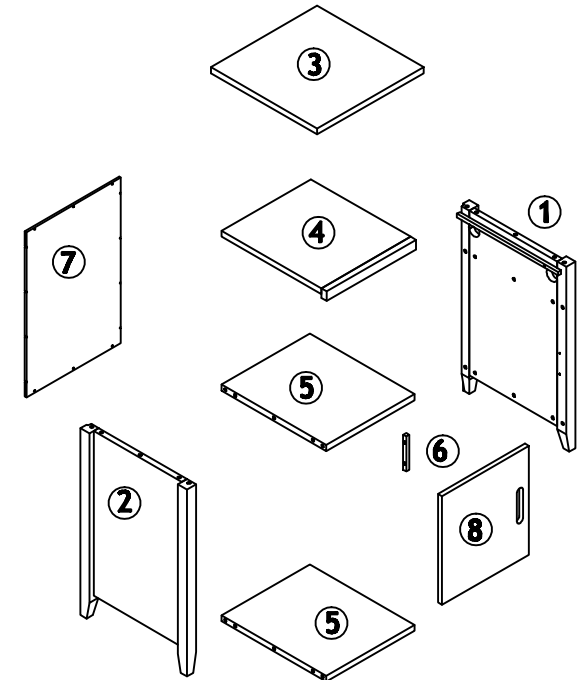
experts in small space living



Parts Checklist

Please count and check every component very carefully before you begin

- ① Right Side Leg x 1
- ② Left Side Leg x 1
- ③ Top Panel x 1
- ④ Extending Shelf x 1
- ⑤ Shelf Panel x 2
- ⑥ Stop Bar x 1
- ⑦ Back Board x 1
- ⑧ Front Door x 1



Fittings Checklist

Please count and check every component very carefully before you begin

- a Dowel x 18 b Bolt x 12 c Pressure Plate x 12 d Nut x 12
- e Small Spanner x 1 f Allen Key x 1 g Allen Head Bolt x 2
- h 3 x 12mm Screw x 26 i (4 x 15mm) Screw x 2 j Anti-slip pad x 4
- k Support Pin x 2 l Hinge x 2

* Cross head Screwdriver an hammer also required for assembly

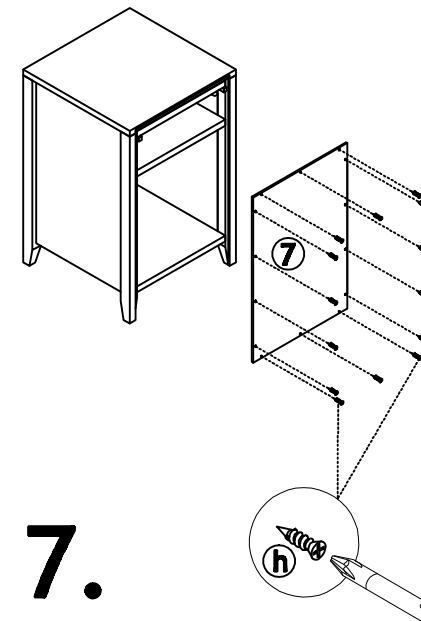
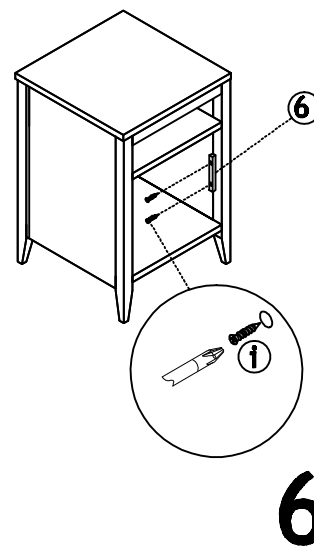
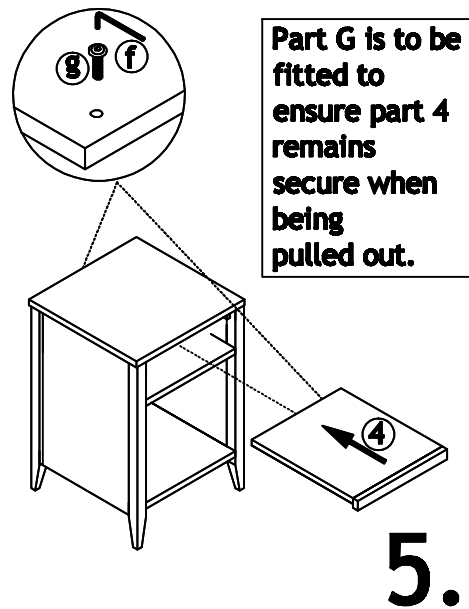
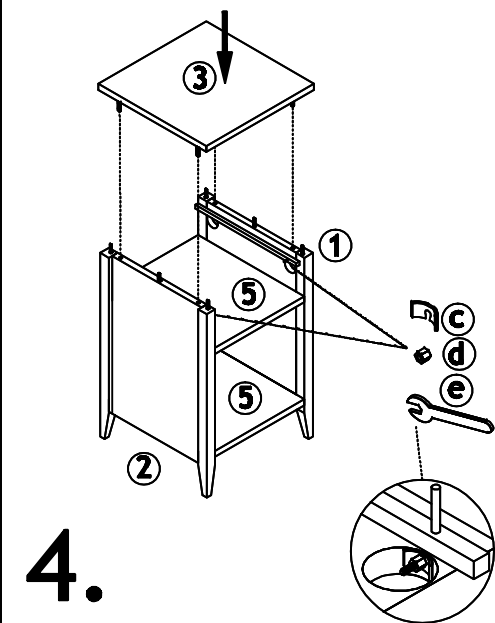
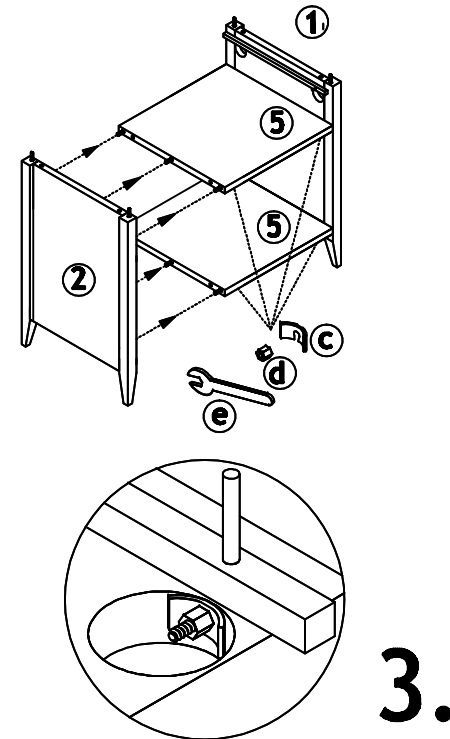
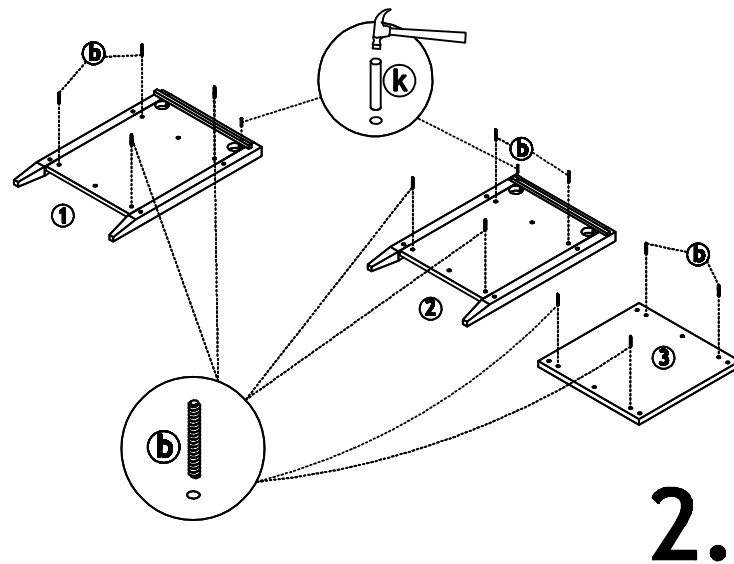
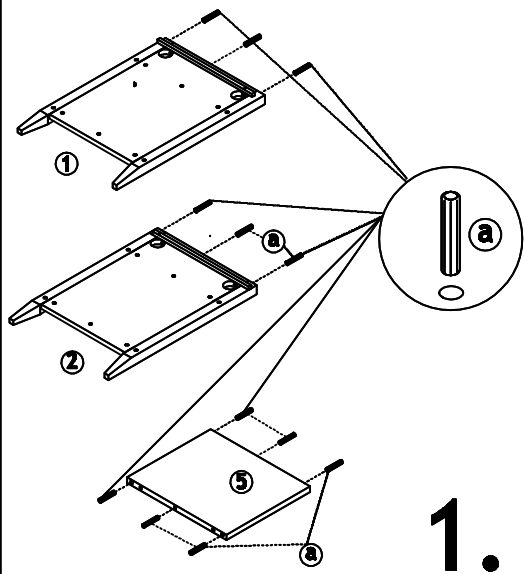


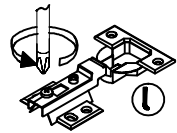
How To Assemble Your Cabinet

Please follow these instructions carefully

FUTON

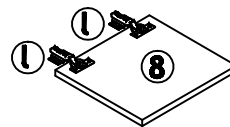
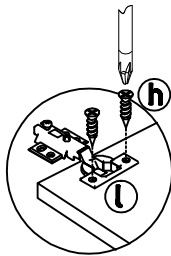
C O M P A N Y



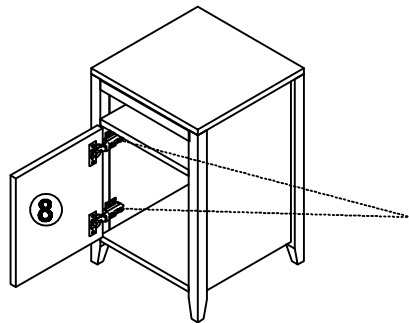


Door hinges are packed assembled, but need to be loosened before they are mounted to the door. This is to make it easier to fix the hinges to inside of cabinet.

8.

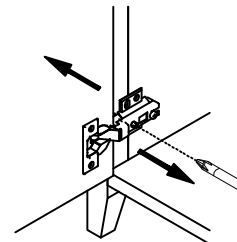
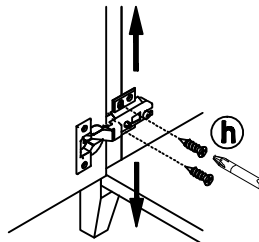


9.

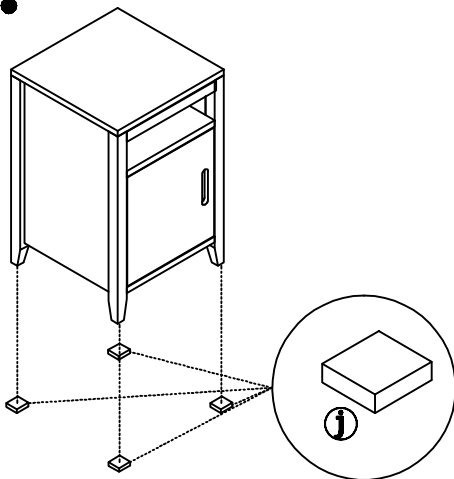


Fix these screws first when attaching doors to cabinet unit.

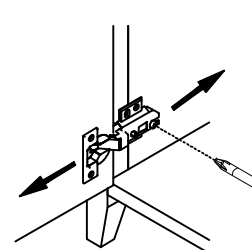
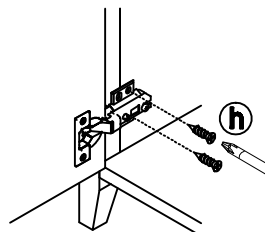
The door can be adjusted right or left by this screw.



10.

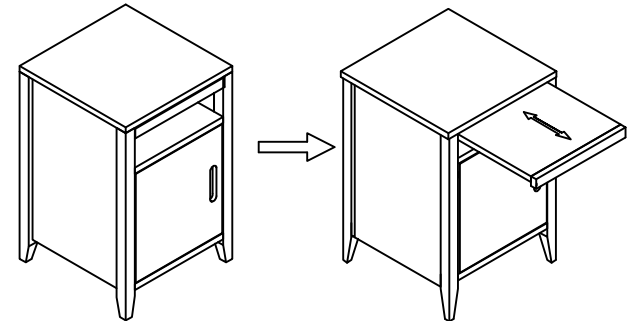


The door can be adjusted front or back by this screw.



How To Use

Please read carefully



FINISH

Timber may be selected to ensure that the visible surfaces are of a higher grade than unseen surfaces.

These unseen areas are not finished to the same standard as the visible surfaces.

CARE

To clean your Cabinet, wipe with a damp cloth followed by a dry cloth.

IMPORTANT

To ensure maximum performance from this product, we advise that you check and tighten all bolts and screws on a regular basis to avoid damage and strain to parts.

GUARANTEE

This instruction leaflet forms part of your guarantee. Please retain it. The ROPO number along with your invoice number will need to be quoted in all correspondence with Futon Company.

Thank you for choosing Futon Company.