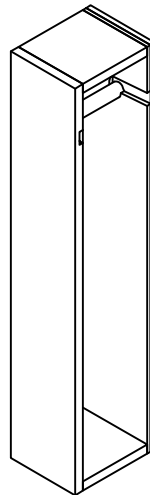


Assembly Instructions

FUTON
C O M P A N Y

Storage - Bathroom Oak Lucy Toilet Roll Tower

ROPO no:



PLEASE READ THESE INSTRUCTIONS VERY CAREFULLY BEFORE YOU BEGIN, TO ENSURE THAT YOUR FUTON COMPANY PRODUCT WILL GIVE YOU MANY YEARS OF SATISFACTION

Thank you for buying Futon Company product

We are constantly striving to improve everything we do, but very occasionally mistakes do occur.

In the unlikely event that you find any part missing please call your nearest Futon Company store and we will arrange for the despatch of an immediate replacement.

Please keep all packaging until you have checked every part and assembly of your Futon Company product is complete.

Version number: 1 Product code: ST BTH LUCY TWR Date: 04/08/18

experts in small space living

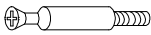


Parts Checklist

Please count and check every component very carefully before you begin



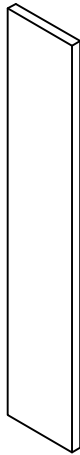
a Wooden Dowel x 8



b Cam Bolt x 8



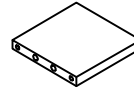
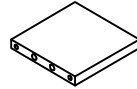
c Cam x 8



d Right Side x 1



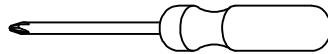
e Roll x 1



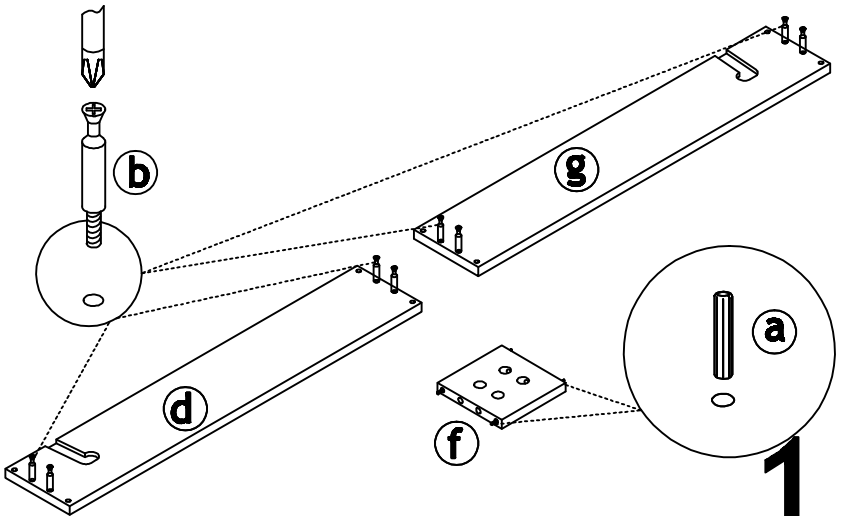
f Shelf x 2



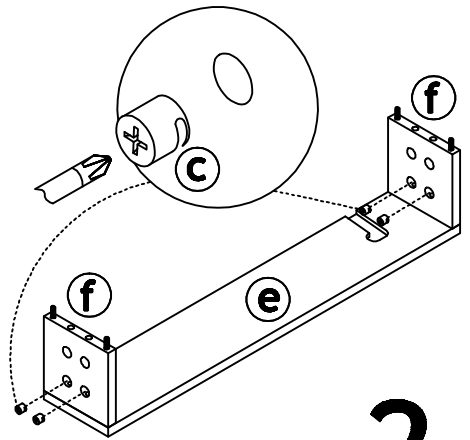
g Left Side x 1



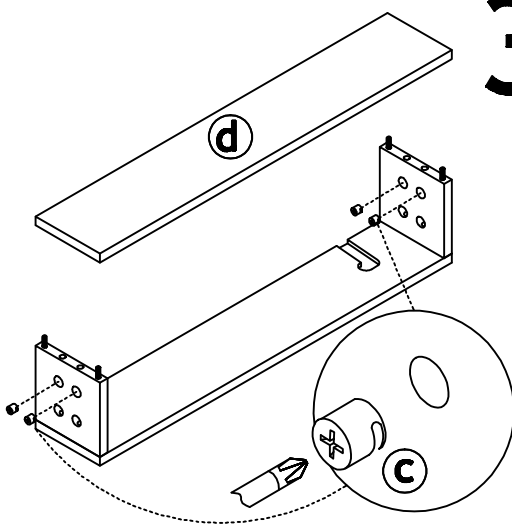
*** Cross head Screwdriver also required for assembly**



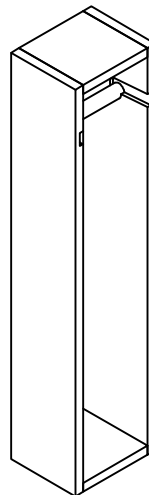
1.



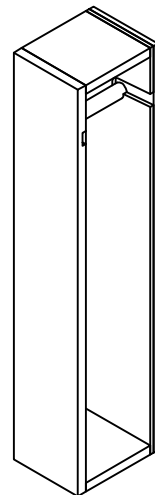
2.



3.



4.



5.