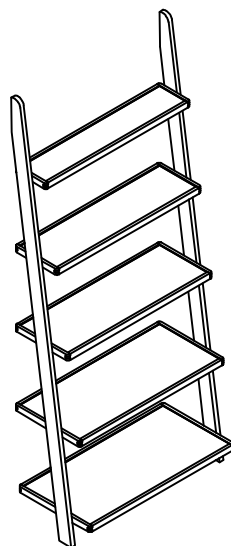


Assembly Instructions

FUTON
C O M P A N Y

Storage - Oak Ladder Wide Shelf (V3 RND)

ROPO no:



PLEASE READ THESE INSTRUCTIONS VERY CAREFULLY BEFORE YOU BEGIN, TO ENSURE THAT YOUR FUTON COMPANY PRODUCT WILL GIVE YOU MANY YEARS OF SATISFACTION

Thank you for buying a Futon Company product.

We are constantly striving to improve everything we do, but occasionally mistakes do occur. In the unlikely event that you find any part missing, please call your nearest Futon Company store and we will arrange for the despatch of an immediate replacement. Please keep all packaging until you have checked every part and assembly of your Futon Company product is complete.

Version number: 2 Product code: ST SHLF LD WDE 3 Date: 25/02/20

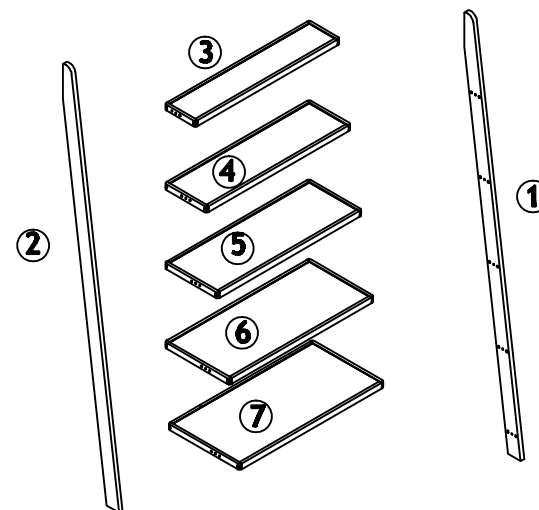
experts in small space living



Parts Checklist



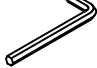

Please count and check every component very carefully before you begin

- ① Right Rail x 1
- ② Left Rail x 1
- ③ Shelf A x 1 (152mm)
- ④ Shelf B x 1 (208mm)
- ⑤ Shelf C x 1 (262mm)
- ⑥ Shelf D x 1 (321mm)
- ⑦ Shelf E x 1 (353mm)



Fittings Checklist

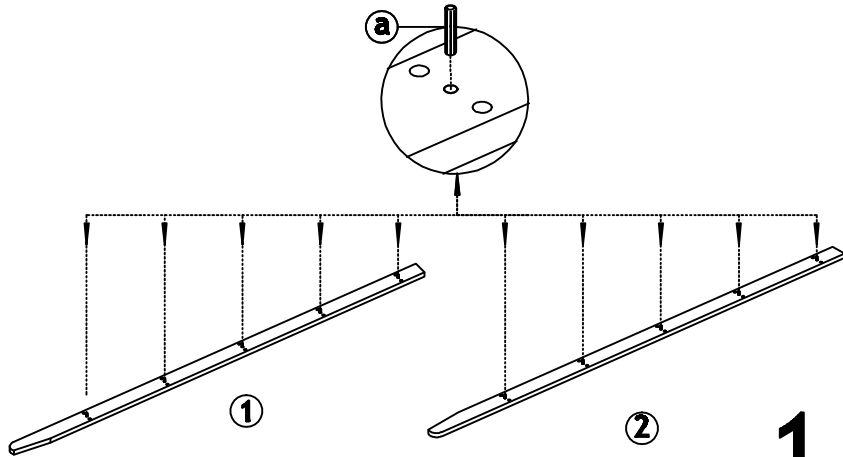
Please count and check every component very carefully before you begin

-  **a** Wooden Dowel x 10
-  **b** Allen Head Bolt x 20
-  **c** Allen Key x 1
-  **d** Anti-slip pad x 4



How To Assemble Your Ladder Shelf

Please follow these instructions carefully



1.3.

FUTON

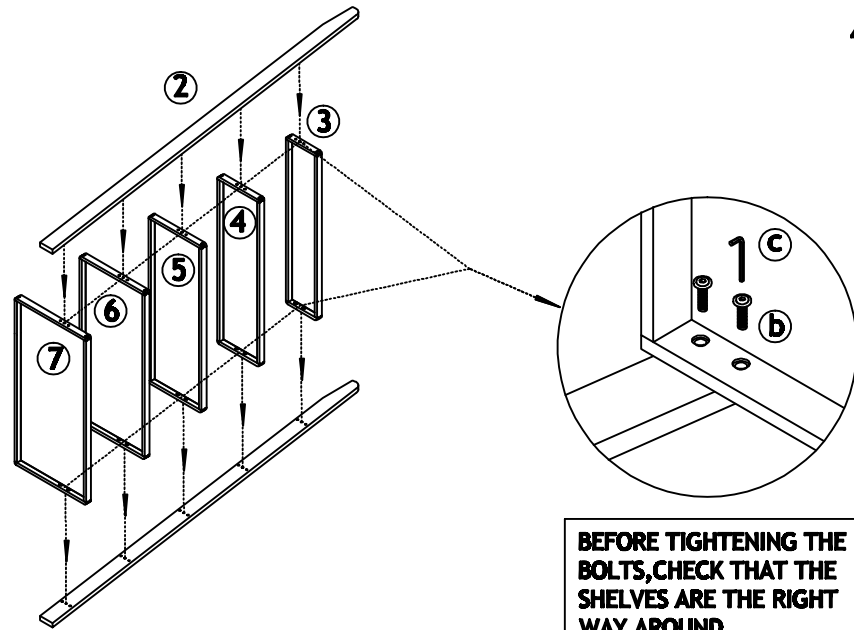
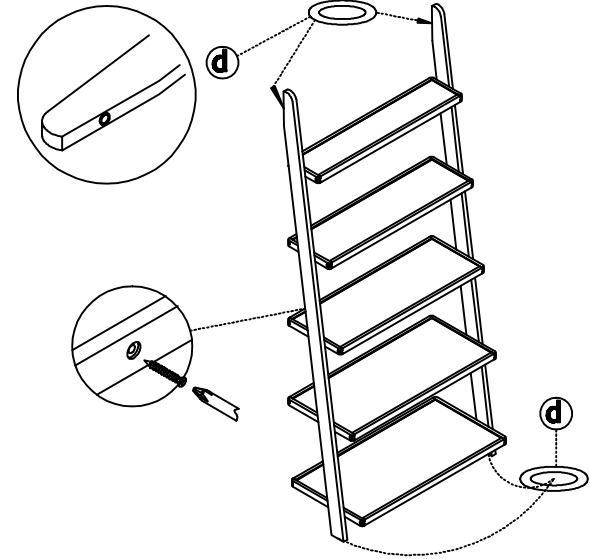
C O M P A N Y



How To Use

Please read carefully

Fittings to secure your shelf to the wall are not supplied. But different wall constructions require fittings that are suitable for your wall type. If you are unsure of the correct type of fitting for your wall, please contact your local specialised hardware store for information on suitable fitting. For safety reasons, we advise you to fix this item to the wall if young children or boisterous dogs are liable to bang into it. Never allow children to climb on furniture.



BEFORE TIGHTENING THE BOLTS, CHECK THAT THE SHELVES ARE THE RIGHT WAY AROUND.

2.

FINISH

Your Shelf is made from solid Oak and Oak veneer

CARE

To clean your Shelf, wipe with a damp cloth followed by a dry cloth.

IMPORTANT

To ensure maximum performance from this product, we advise that you check and tighten all bolts and screws on a regular basis to avoid damage and strain to parts.

GUARANTEE

This instruction leaflet forms part of your guarantee. Please retain it. The ROPO number along with your invoice number will need to be quoted in all correspondence with Futon Company.

Thank you for choosing Futon Company.

4.

