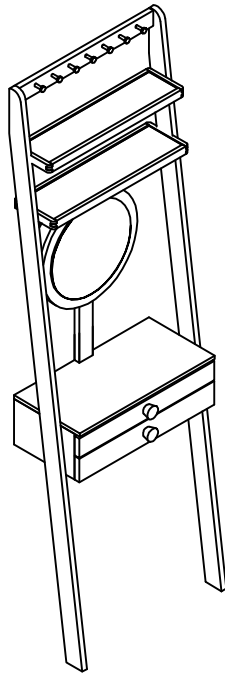


Dressing Table - Oak Leaning Mini Dressing Table(V3 RND)

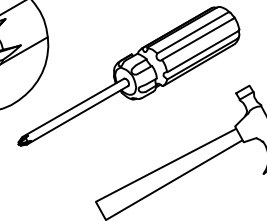
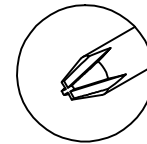


Please read these instructions very carefully before you begin assembly to ensure that your Futon Company product will give you many years of satisfaction.

Thank you for buying a Futon Company product. We are constantly striving to improve everything we do, but occasionally mistakes do occur. In the unlikely event that you find any part missing please call your nearest Futon Company store and we will arrange for the despatch of an immediate replacement.

Please keep all packaging until you have checked every part and assembly of your Futon Company product is complete.

This product should take approximately 60 minutes to assemble by one person.



You will need a cross head screwdriver and a hammer to assemble this product. An electric drill may cause damage and is not recommended.

An allen key and spanner are also supplied with this product for assembly.

The fittings pack contains **SMALL ITEMS** which should be **KEPT AWAY FROM YOUNG CHILDREN**. Please check the pack contents before attempting to assemble this product. A full checklist of components is given in this leaflet.

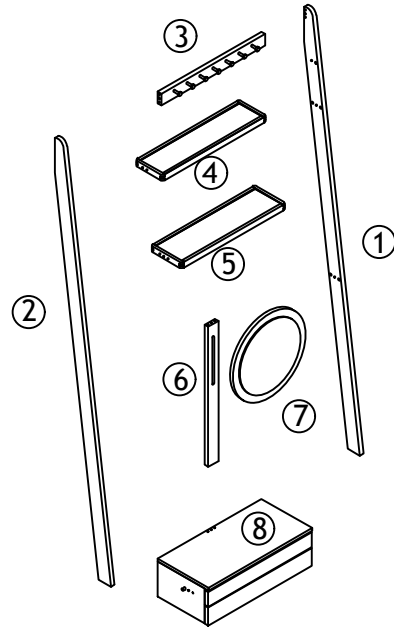
ST LN DRS TBL V3 ROPO

Fittings and Parts Checklist

Please check and count every component very carefully before you begin

Parts Checklist

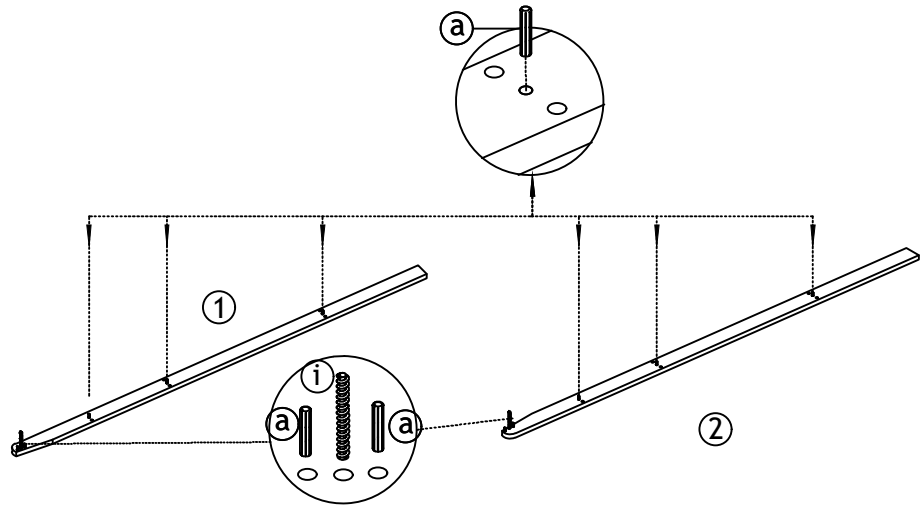
- ① Right Rail x 1
- ② Left Rail x 1
- ③ Hook rail x 1
- ④ Small Shelf x 1
- ⑤ Large shelf x 1
- ⑥ Mirror support x 1
- ⑦ Mirror x 1
- ⑧ Drawer unit x 1



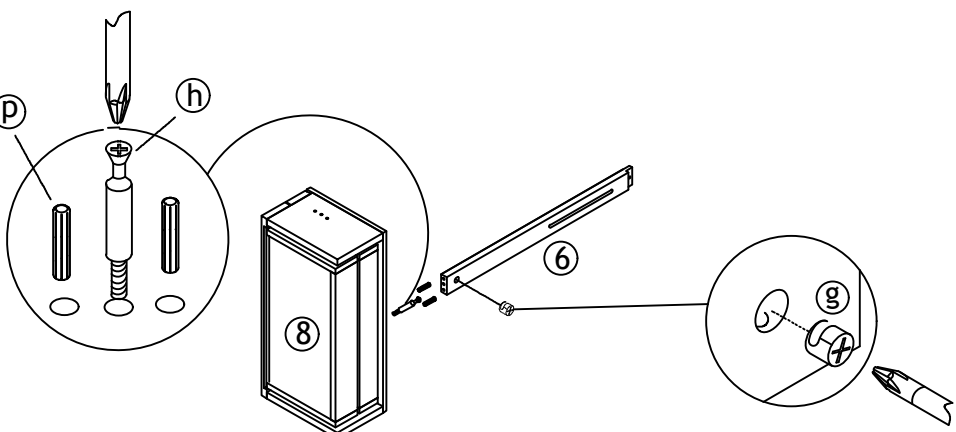
Fittings Checklist

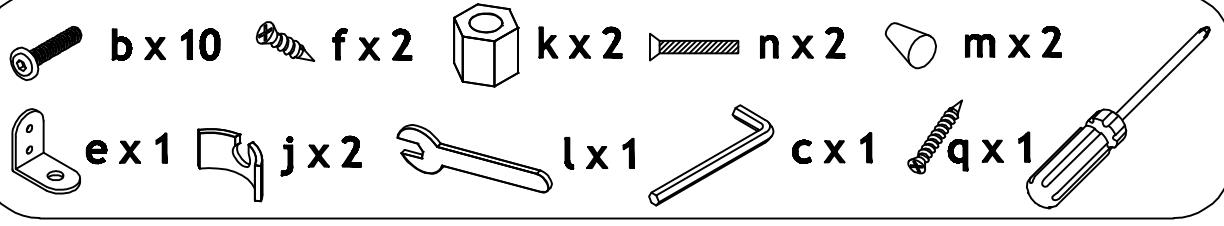
- a Wooden Dowel x 10 (6 x 20)
- b Allen Head Bolt x 10 (6 x 20)
- c Allen Key x 1
- d Anti-slip pad x 4
- e Wall Bracket x 1
- f Screw x 2 (3x12)
- g Cam x 1
- h Cam Bolt x 1
- i Bolt x 2
- j Pressure Plate x 2
- k Nut x 2
- l Small Spanner x 1
- m Drawer Knob x 2
- n Long Screw x 2
- o Allen Head Bolt x 2 (6 x 30)
- p Wooden Dowel x 2 (6 X 30)
- q Screw x 1 (3x15)

Fitting i can be easily screwed into the metal insert by hand. Fitting A can be secured by pushing into pre-drilled hole. If required use a hammer to tap gently into place.

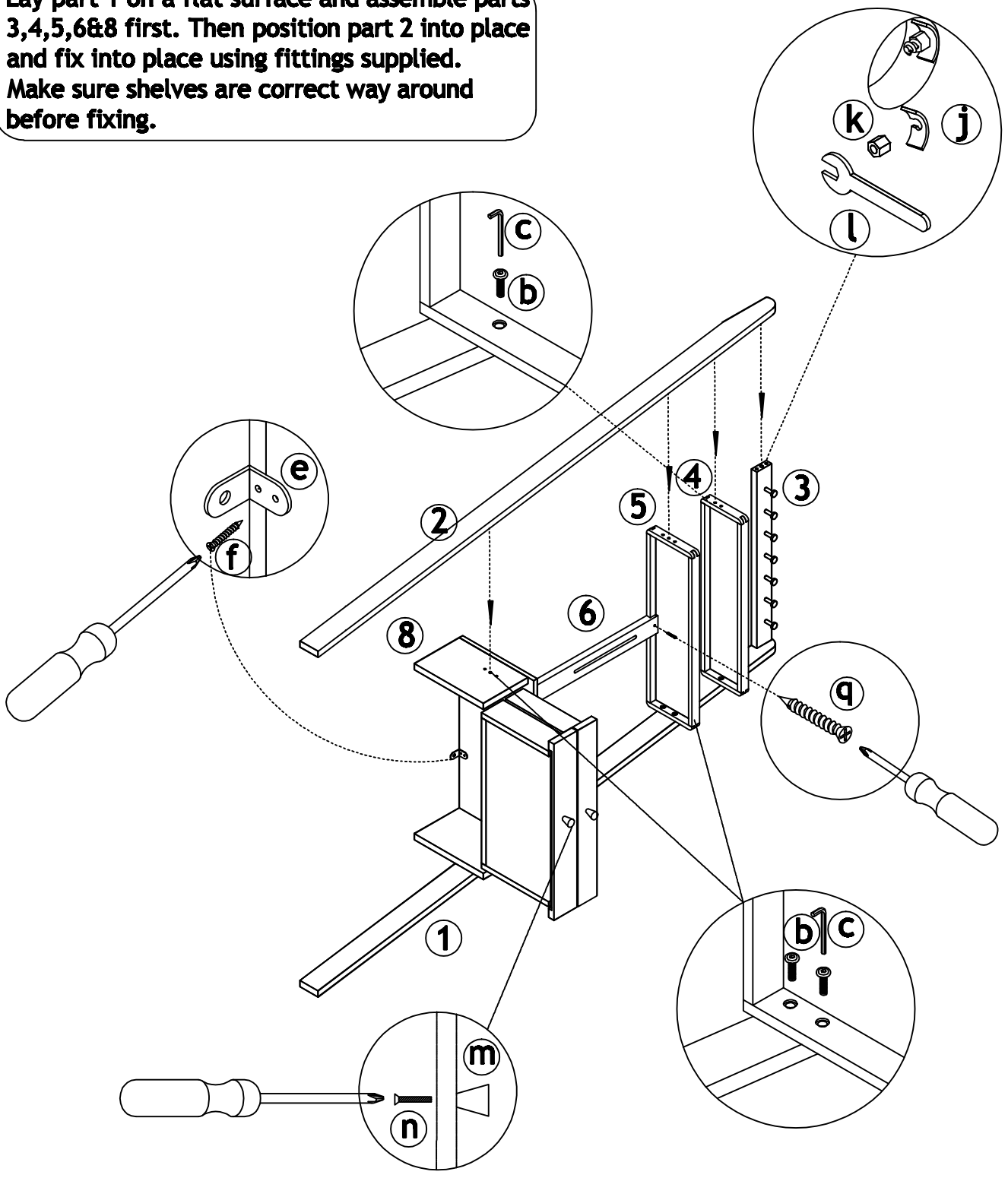


Secure fittings p & h into place first. Then slot parts, 6&8 together. Part g is to be placed into pre-drilled hold and then tightened clockwise to fix parts together.





Lay part 1 on a flat surface and assemble parts 3,4,5,6&8 first. Then position part 2 into place and fix into place using fittings supplied. Make sure shelves are correct way around before fixing.

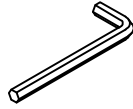




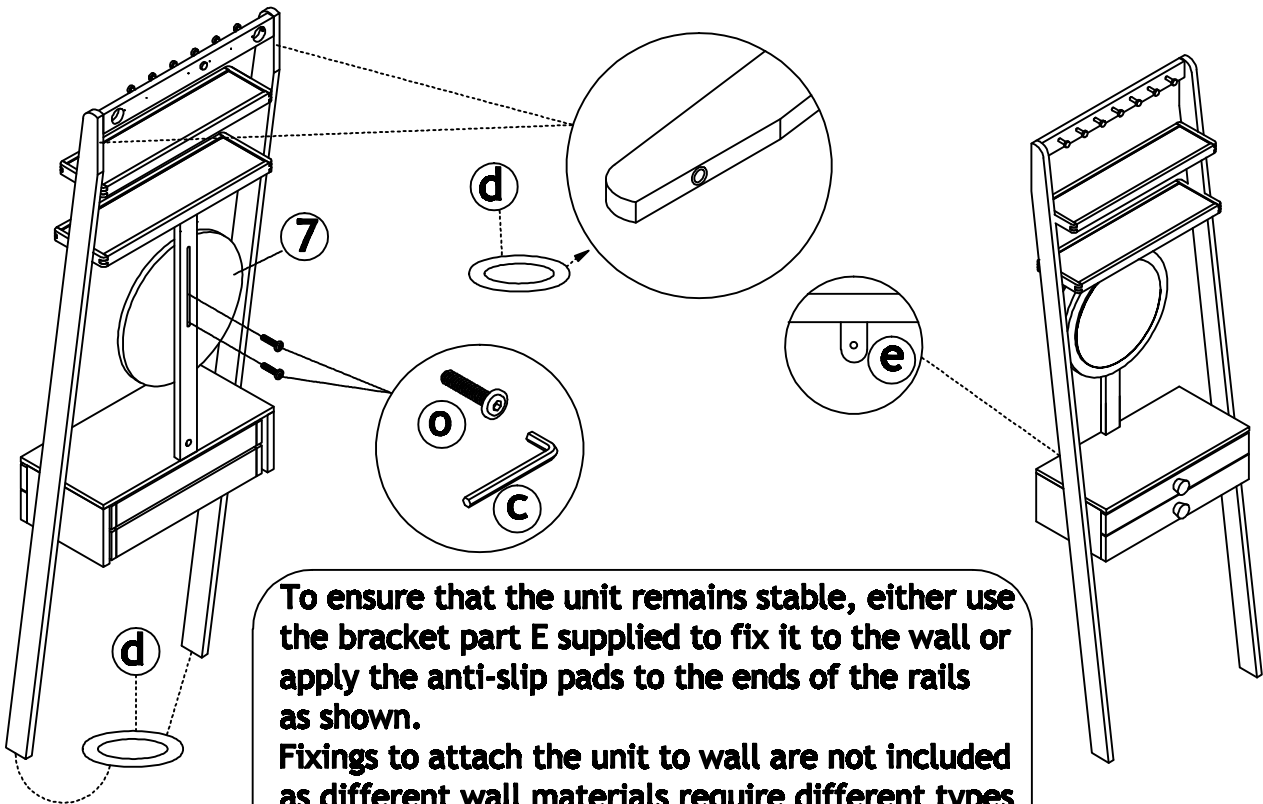
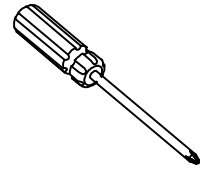
o x 2



d x 4



c x 1



To ensure that the unit remains stable, either use the bracket part E supplied to fix it to the wall or apply the anti-slip pads to the ends of the rails as shown.

Fixings to attach the unit to wall are not included as different wall materials require different types of fixing. Contact your local specialised hardware store for advice on suitable fixing.

FINISH

Your Leaning Dressing is made from solid oak and Oak veneer.

Timber may be selected to

ensure that visible surfaces are of a higher grade than unseen surfaces.

CARE

To clean your cabinet, wipe with a damp cloth followed by a dry cloth.

IMPORTANT

To ensure maximum use from this product, we advise that you check and tighten all bolts and screws on a regular basis to avoid damage and strain to parts.

GUARANTEE

This instruction leaflet forms part of your guarantee. Please retain it.

The ROPO number along with your invoice number will need to be quoted in all correspondence with Futon Company.

Thank you for choosing to purchase this
Futon Company product