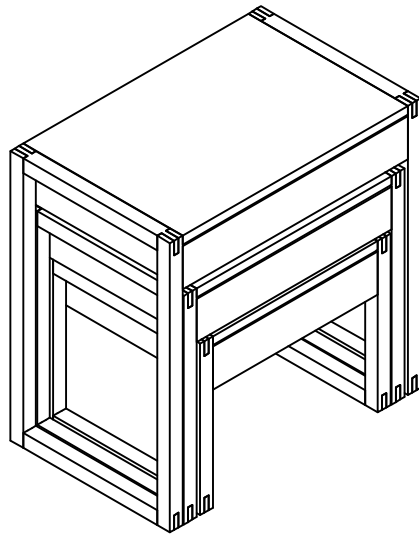


Oak Nest of Tables

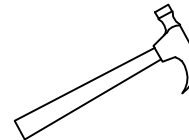


Please read these instructions very carefully before you begin assembly to ensure that your Futon Company product will give you many years of satisfaction.

Thank you for buying a Futon Company product. We are constantly striving to improve everything we do, but occasionally mistakes do occur. In the unlikely event that you find any part missing please call your nearest Futon Company store and we will arrange for the despatch of an immediate replacement.

Please keep all packaging until you have checked every part and assembly of your Futon Company product is complete.

This product should take approximately 40 minutes to assemble by one person.



You will need a hammer to assemble this product. An allen key is also supplied with this product for assembly.

The fittings pack contains **SMALL ITEMS** which should be **KEPT AWAY FROM YOUNG CHILDREN**. Please check the pack contents before attempting to assemble this product. A full checklist of components is given in this leaflet.

T3 OAK NEST ROPO

Fittings and Parts Checklist

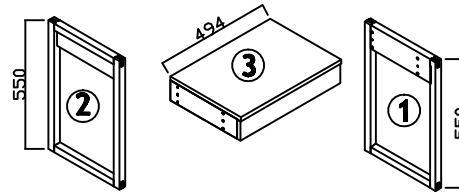
Please check and count every component very carefully before you begin

Parts Checklist

Large Table

- ① Right Leg
- ② Left Leg
- ③ Top

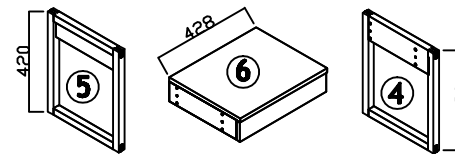
Large Table



Medium Table

- ④ Right Leg
- ⑤ Left Leg
- ⑥ Top

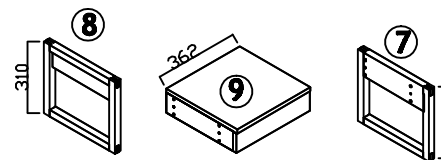
Medium Table



Small Table

- ⑦ Right Leg
- ⑧ Left Leg
- ⑨ Top

Small Table



Fittings Checklist



① Wooden Dowel x 12



② Allen Head Bolt x 24



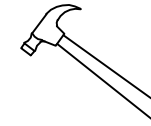
③ Allen Key x 1



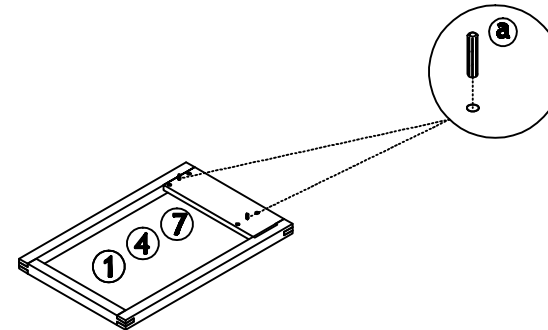
④ Anti-slip pad x 12



a X 6



Repeat this step using fitting A for parts 1,4 and 7.



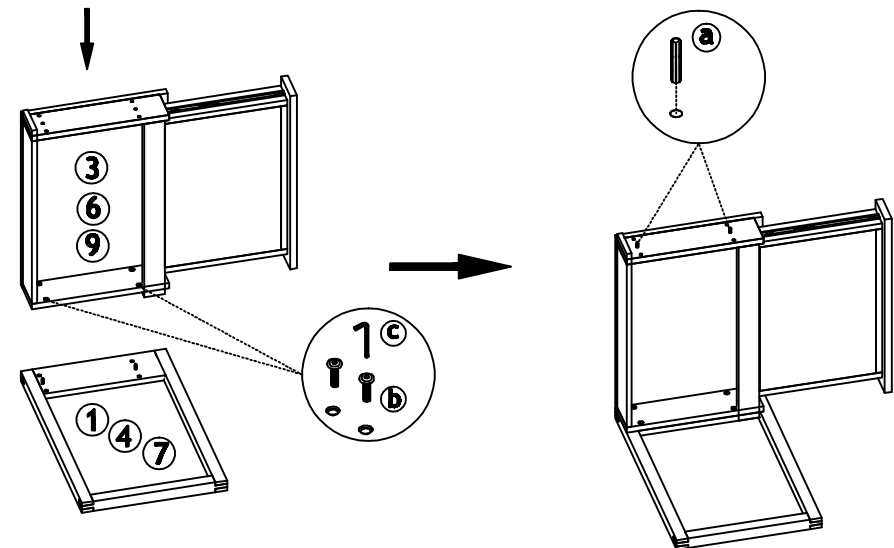
a X 6

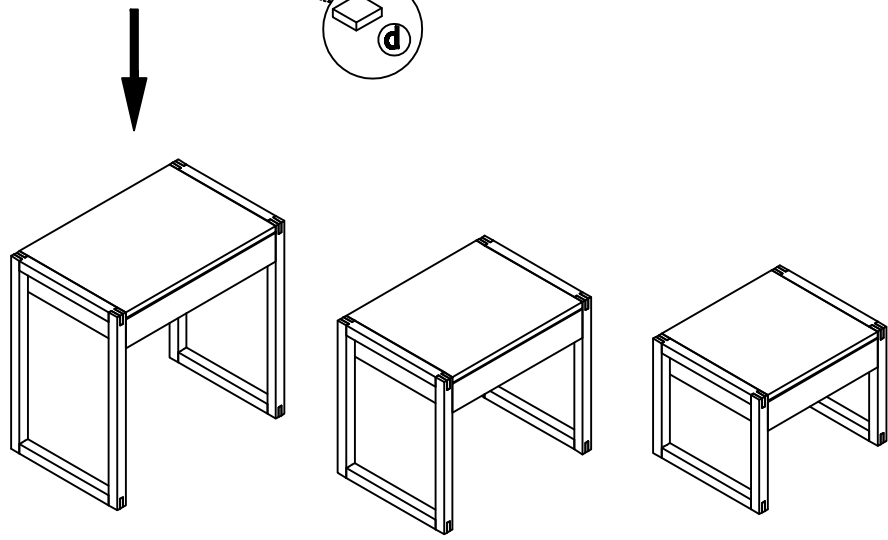
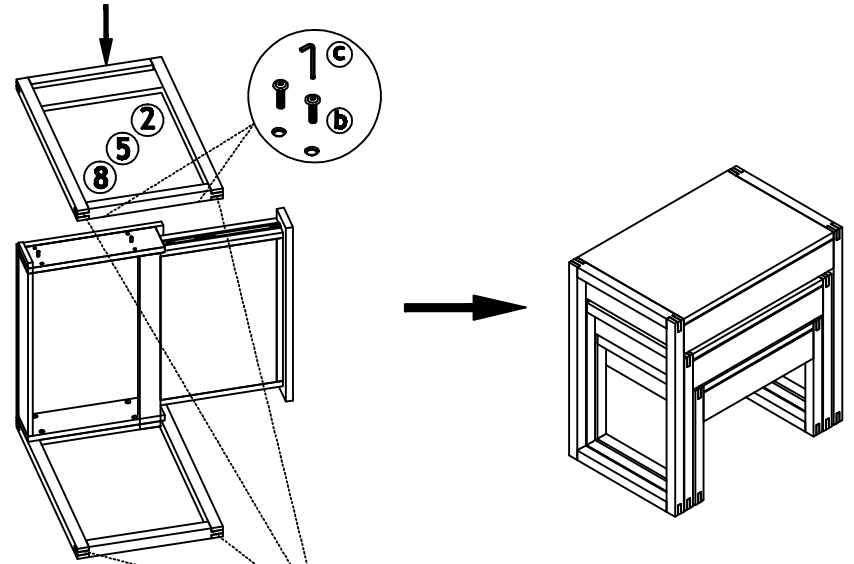
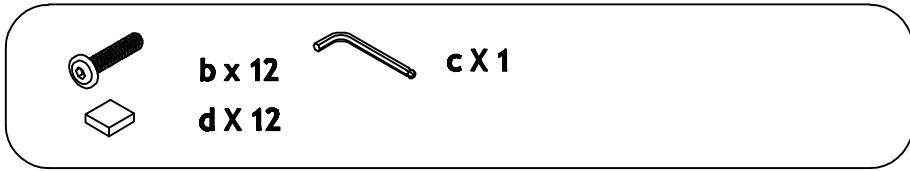


c X 1



b x 12





FINISH

Oak nest of Tables are made from solid oak. Timber may be selected to ensure that visible surfaces are of a higher grade than unseen surfaces.

CARE

To clean your Tables, wipe with a damp cloth followed by a dry cloth.

IMPORTANT

To ensure maximum use from this product, we advise that you check and tighten all bolts and screws on a regular basis to avoid damage and strain to parts.

GUARANTEE

This instruction leaflet forms part of your guarantee. Please retain it. The ROPO number along with your invoice number will need to be quoted in all correspondence with Futon Company.

Thank you for choosing to purchase this

Futon Company product