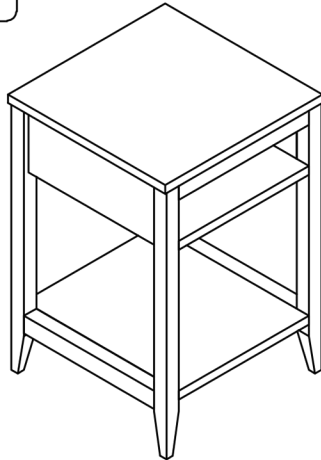


# Assembly Instructions



## Table - Oak Linda

ROPO no:



**PLEASE READ THESE INSTRUCTIONS VERY CAREFULLY BEFORE YOU BEGIN, TO ENSURE THAT YOUR FUTON COMPANY PRODUCT WILL GIVE YOU MANY YEARS OF SATISFACTION**

Thank you for buying a Futon Company product.

We are constantly striving to improve everything we do, but occasionally mistakes do occur. In the unlikely event that you find any part missing, please call your nearest Futon Company store and we will arrange for the despatch of an immediate replacement. Please keep all packaging until you have checked every part and assembly of your Futon Company product is complete.

Version number: 1

Product code: T1 LINDA

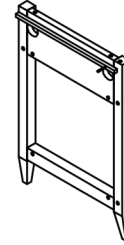
Date: 28/02/15

*experts in small space living*

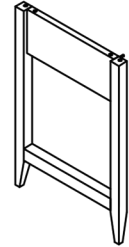


## Parts Checklist

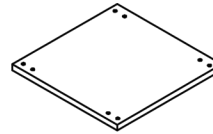
Please count and check every component very carefully before you begin



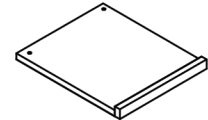
① Right Side Leg x 1



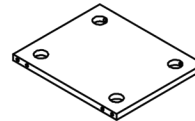
② Left Side Leg x 1



③ Top Panel x 1



④ Extending Shelf x 1



⑤ Shelf Panel x 2



## Fittings Checklist

Please count and check every component very carefully before you begin



ⓐ Dowel x 12



ⓑ Bolt x 12



ⓒ Pressure Plate x 12



ⓓ Nut x 12



ⓔ Small Spanner x 1



ⓕ Allen Key x 1



ⓖ Allen Head Bolt x 2



# How To Assemble Your Table

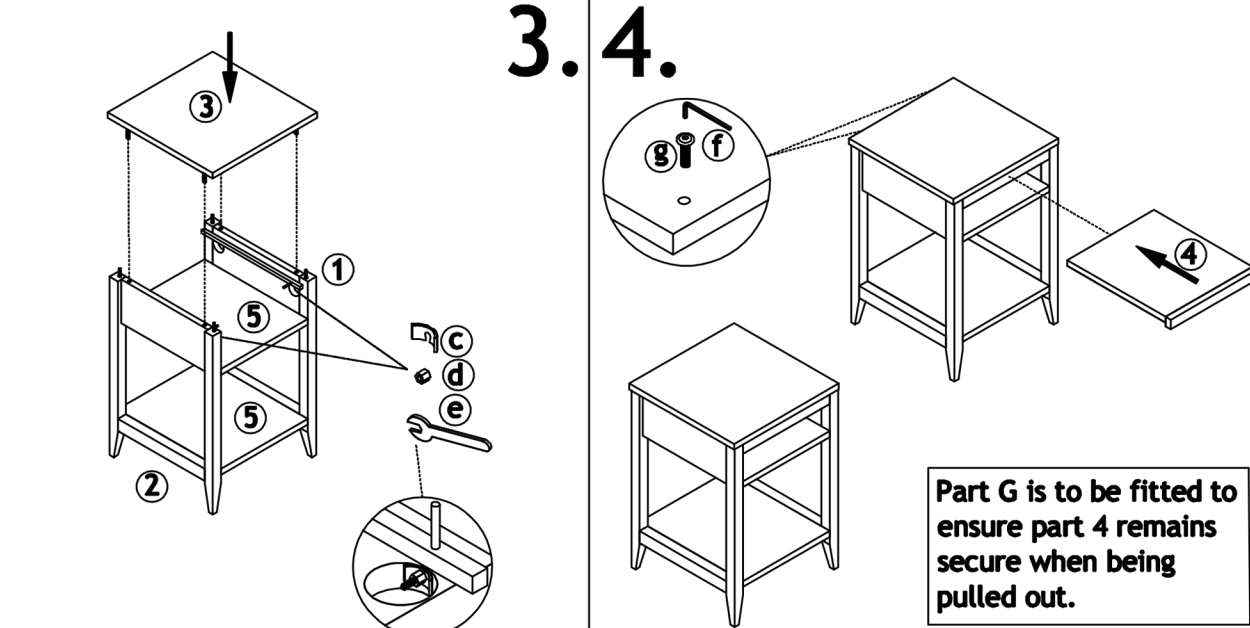
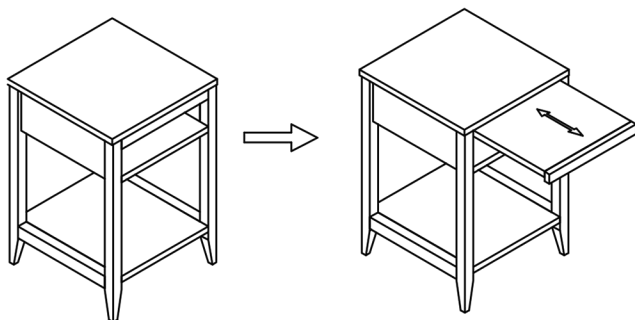
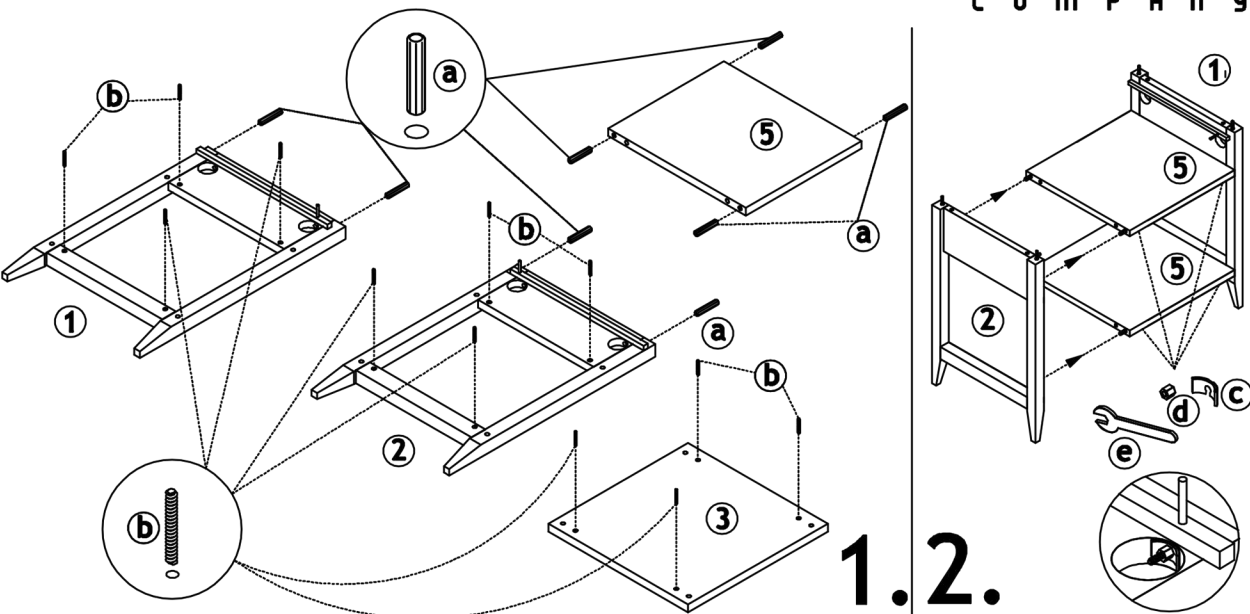
Please follow these instructions carefully

# FUTON

C O M P A N Y

# How To Use

Please read carefully



Part G is to be fitted to ensure part 4 remains secure when being pulled out.

**FINISH**  
 Timber may be selected to ensure that the visible surfaces are of a higher grade than unseen surfaces.  
 These unseen areas are not finished to the same standard as the visible surfaces.

**CARE**  
 To clean your Table, wipe with a damp cloth followed by a dry cloth.

**IMPORTANT**  
 To ensure maximum performance from this product, we advise that you check and tighten all bolts and screws on a regular basis to avoid damage and strain to parts.

**GUARANTEE**  
 This instruction leaflet forms part of your guarantee. Please retain it. The ROPO number along with your invoice number will need to be quoted in all correspondence with Futon Company.

Thank you for choosing Futon Company.