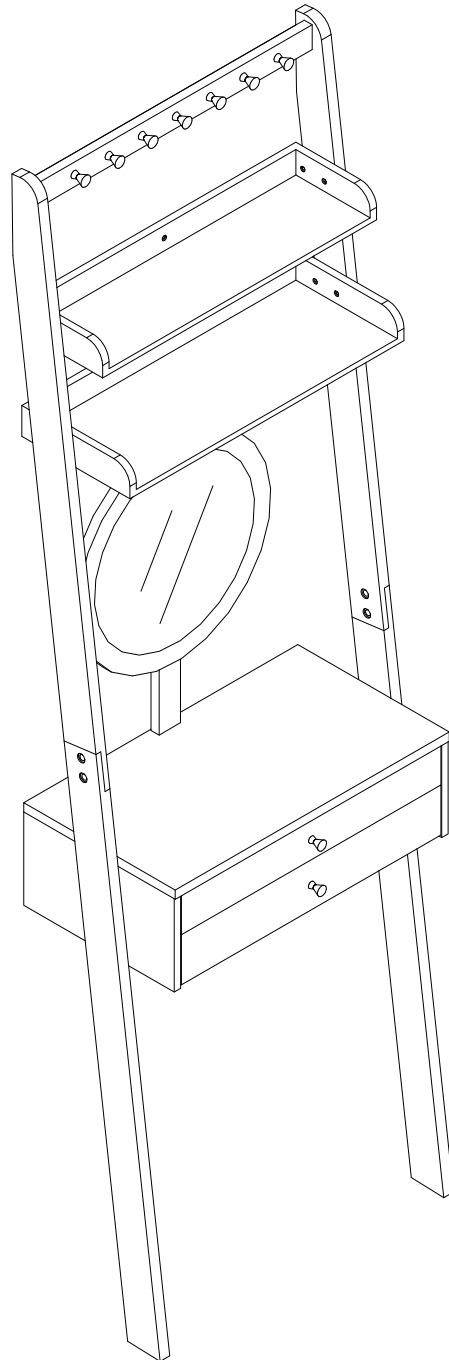
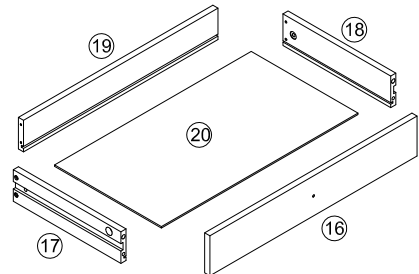
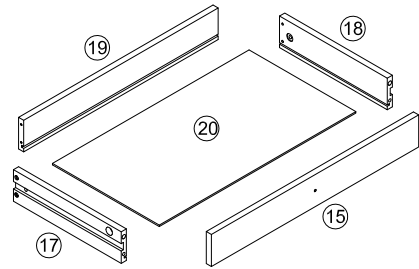
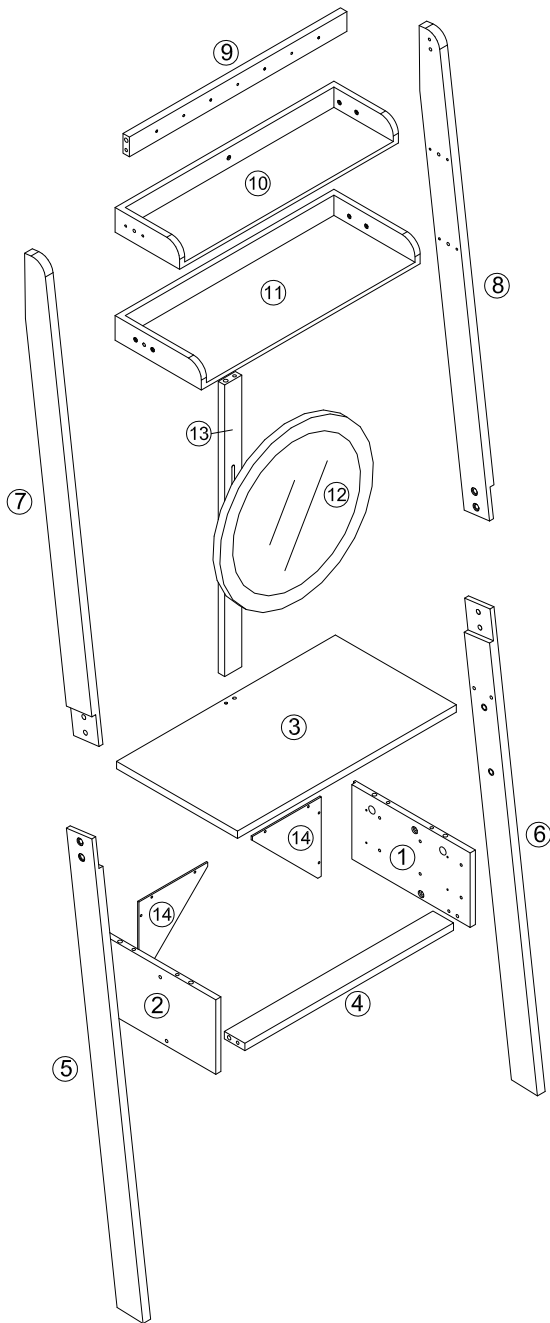


FUTON
C O M P A N Y

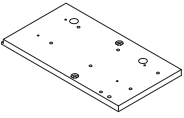
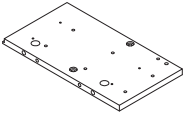
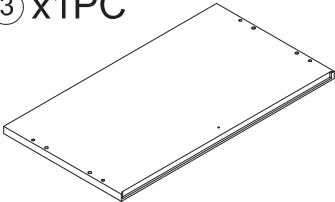
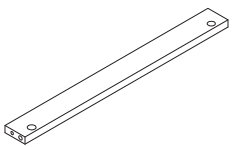
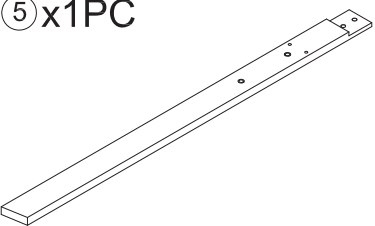
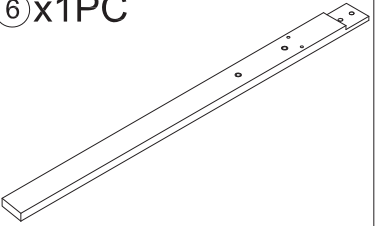
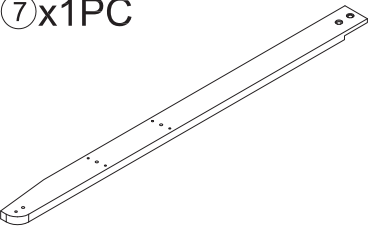
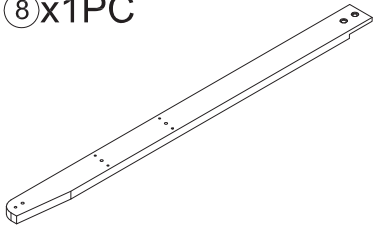
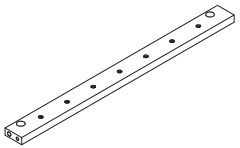
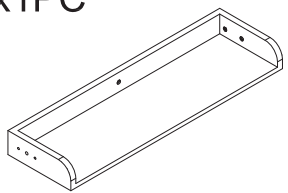
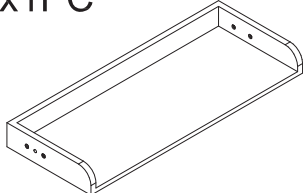
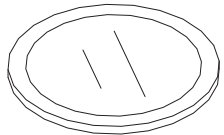
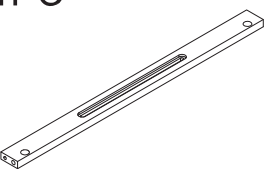
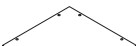
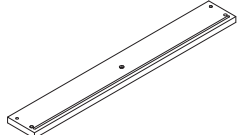
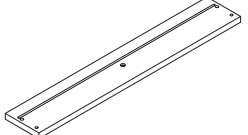
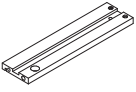
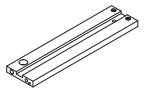
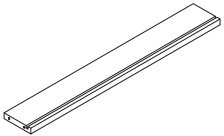
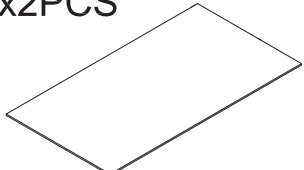
ASSEMBLY INSTRUCTIONS

Bamboo & White Leaning Dressing Table
Product code: ST LAD DRS BAM

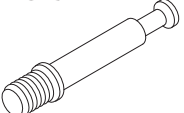


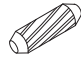

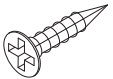
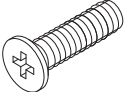
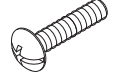

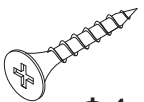
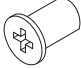
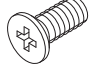

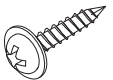
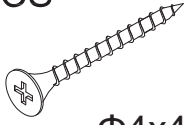
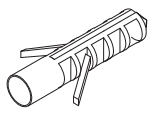
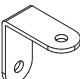





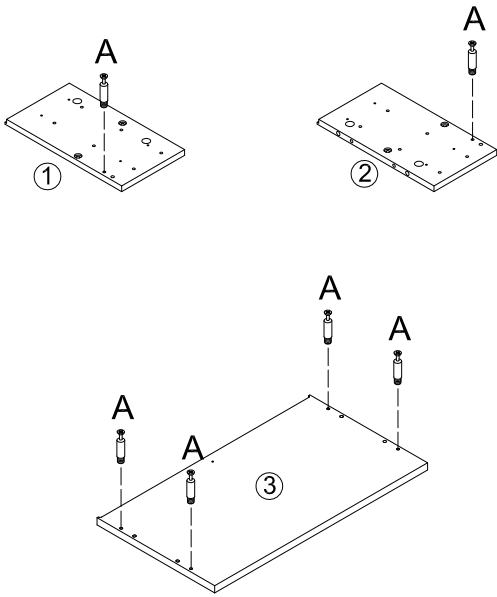
Parts List

| | | | |
|--|--|---|--|
| ① x1PC  | ② x1PC  | ③ x1PC  | ④ x1PC  |
| ⑤ x1PC  | ⑥ x1PC  | ⑦ x1PC  | ⑧ x1PC  |
| ⑨ x1PC  | ⑩ x1PC  | ⑪ x1PC  | ⑫ x1PC  |
| ⑬ x1PC  | ⑭ x2PCS  | ⑮ x1PC  | ⑯ x1PC  |
| ⑰ x2PCS  | ⑱ x2PCS  | ⑲ x2PCS  | ⑳ x2PCS  |

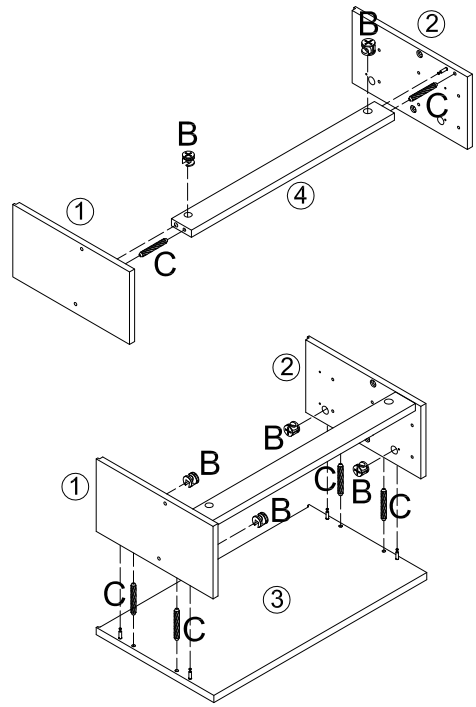
Hardware Included

| | | | |
|--|--|--|--|
| Ax14PCS  | Bx14PCS  | Cx18PCS  Φ6x30mm | Dx4PCS  Φ6x20mm |
| Ex4PCS  | Fx9PCS  Φ3x12mm | Gx6PCS  Φ6x22mm | Hx9PCS  Φ4x14mm |
| Ix9PCS  | Jx8PCS  Φ4x25mm | Kx4PCS  Φ6x10mm | Lx4PCS  Φ6x8mm |
| Mx8PCS  Φ4x30mm | Nx8PCS  Φ2.2x10mm | Ox2PCS  Φ4x40mm | Px2PCS  |
| Qx1PC  | Rx4PCS  | | |

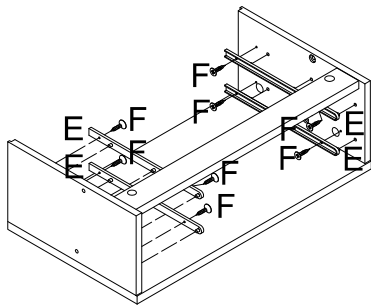
STEP1



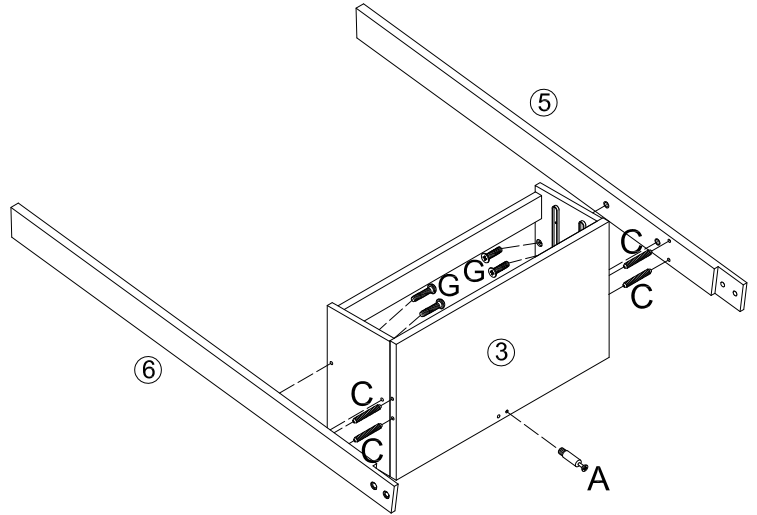
STEP2



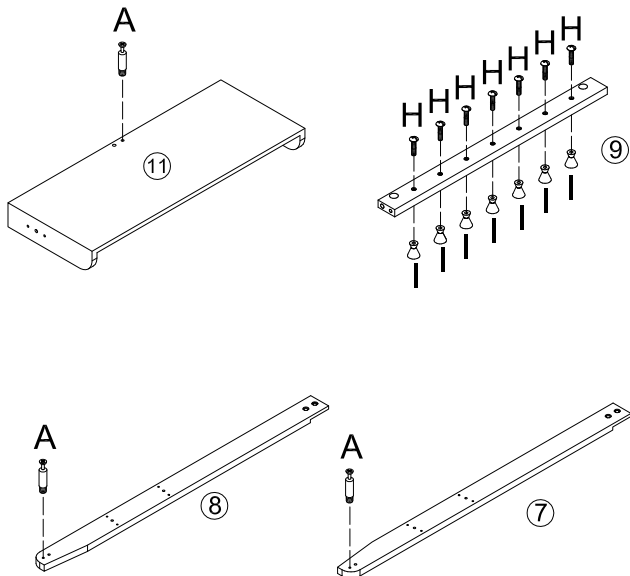
STEP3



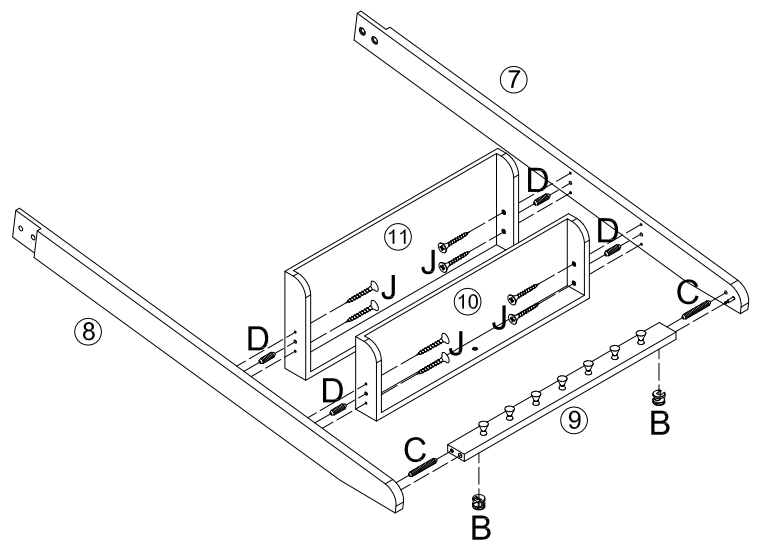
STEP4



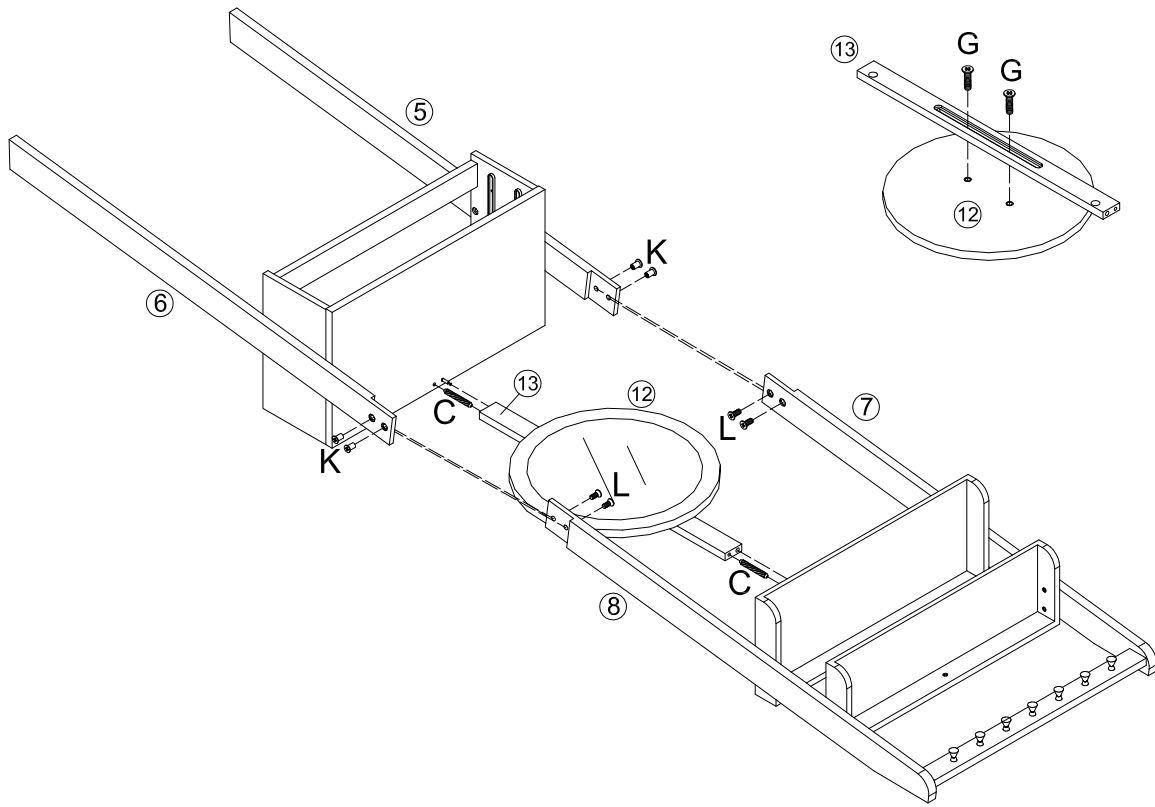
STEP5



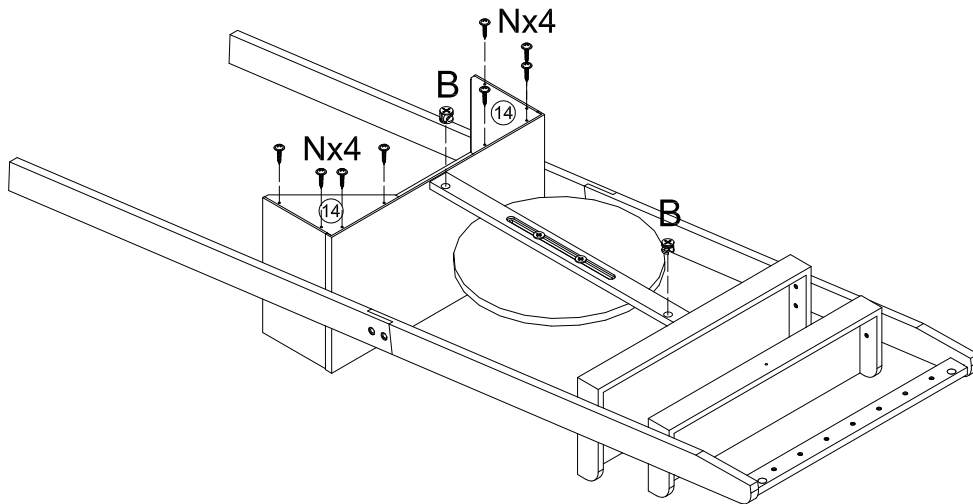
STEP6



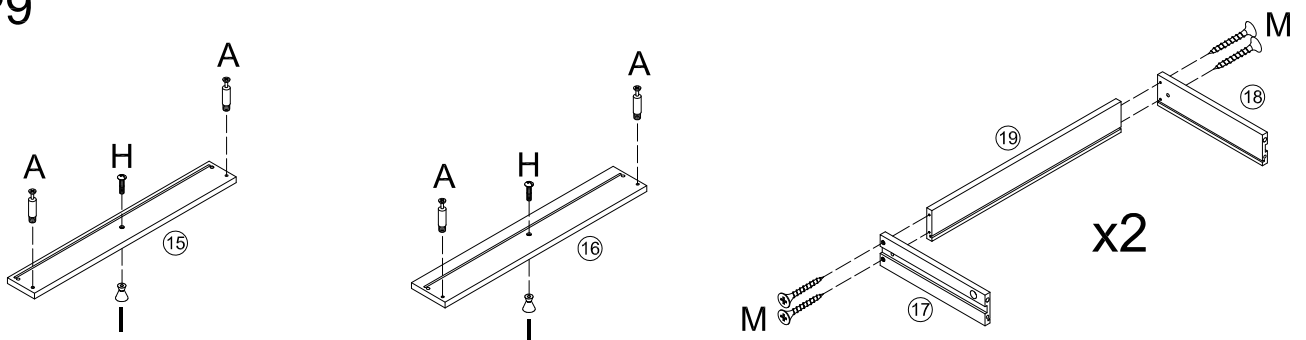
STEP 7



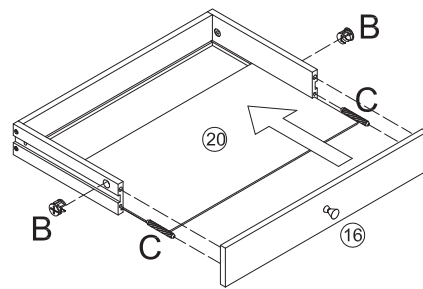
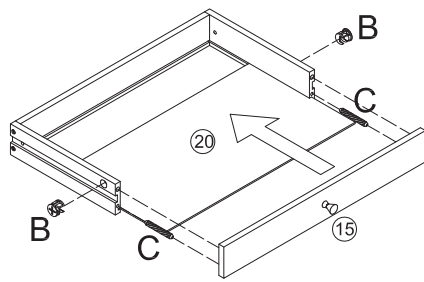
STEP 8



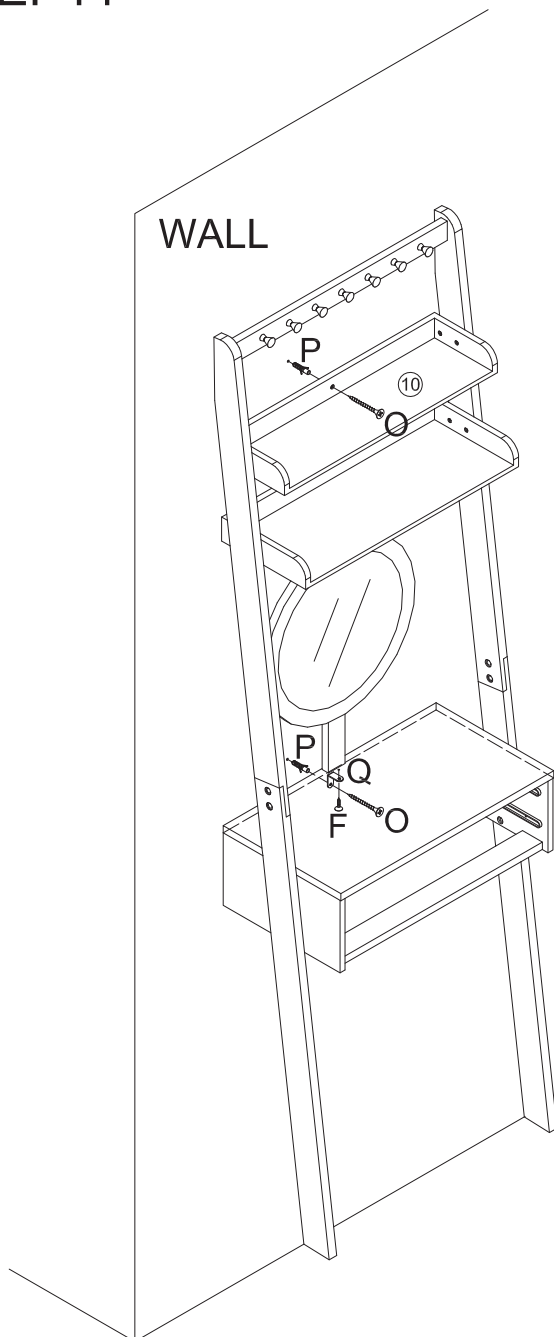
STEP 9



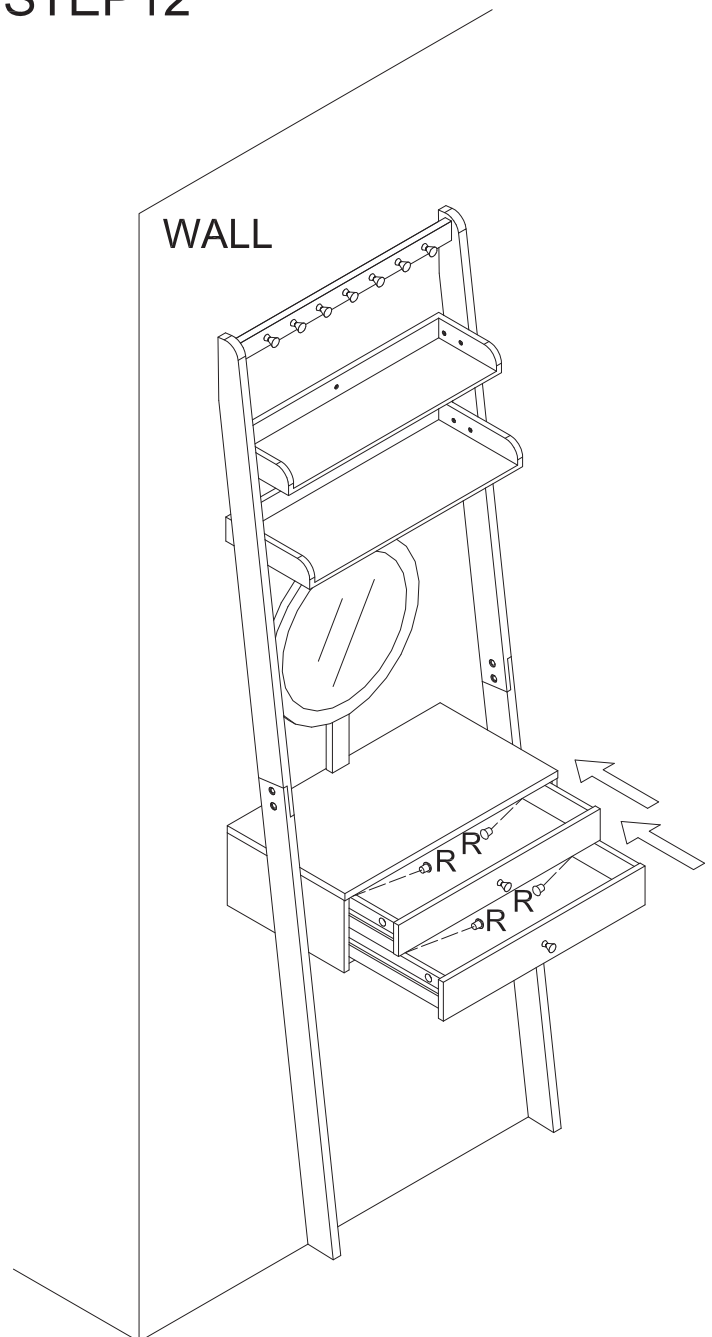
STEP10



STEP11



STEP12



For safety reasons, we advise you to fix this item to the wall if young children or boisterous dogs are liable to bang into it. Never allow children to climb on furniture.

To ensure that the unit remains stable, we recommend to use the bracket part Q and wall fittings shown to fix it to the wall. Fittings to attach your Dressing Table to the wall are supplied. But different wall constructions require fittings that are suitable for your wall type.

If you are unsure for the correct type of fitting for your wall, please contact your local specialised hardware store for information on suitable fittings.