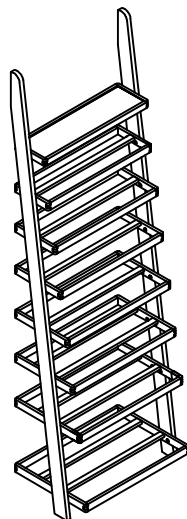


Assembly Instructions



Storage - Hallway Oak Leaning Shoe Rack (V3 RND)

ROPO no:



PLEASE READ THESE INSTRUCTIONS VERY CAREFULLY BEFORE YOU BEGIN, TO ENSURE THAT YOUR FUTON COMPANY PRODUCT WILL GIVE YOU MANY YEARS OF SATISFACTION

Thank you for buying a Futon Company product.

We are constantly striving to improve everything we do, but occasionally mistakes do occur. In the unlikely event that you find any part missing, please call your nearest Futon Company store and we will arrange for the despatch of an immediate replacement. Please keep all packaging until you have checked every part and assembly of your Futon Company product is complete.

Version number: 2 Product code: ST LN SHOE V3 Date: 25/02/20

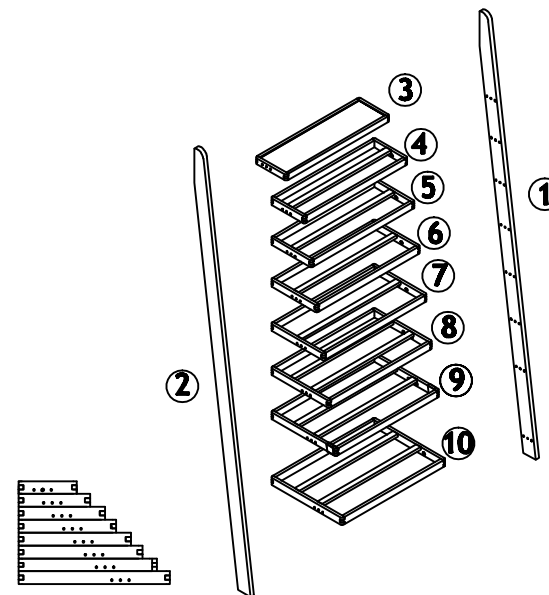
experts in small space living



Parts Checklist

Please count and check every component very carefully before you begin

- ① Right Rail x 1
- ② Left Rail x 1
- ③ Shelf A x 1(155mm)
- ④ Shelf B x 1(180mm)
- ⑤ Shelf C x 1(206mm)
- ⑥ Shelf D x 1(238mm)
- ⑦ Shelf E x 1(270mm)
- ⑧ Shelf F x 1(300mm)
- ⑨ Shelf G x 1(330mm)
- ⑩ Shelf H x 1(353mm)



Fittings Checklist

Please count and check every component very carefully before you begin



ⓐ Wooden Dowel x 16



ⓑ Allen Head Bolt x 32



ⓒ Allen Key x 1

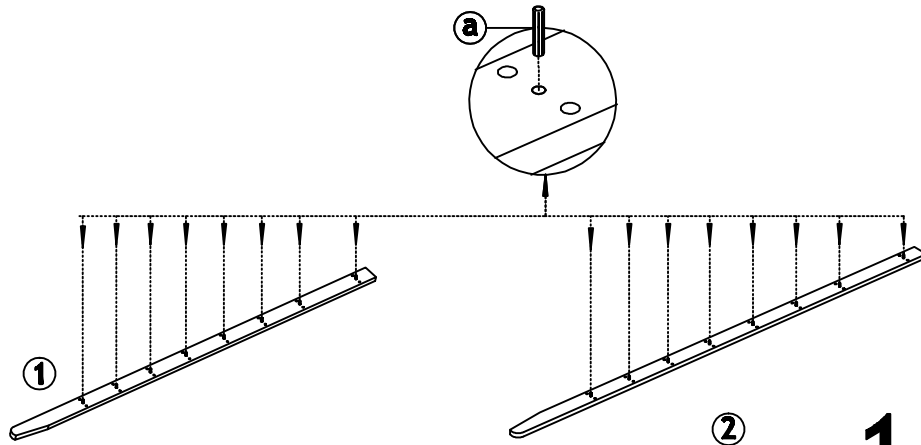


ⓓ Anti-slip pad x 4

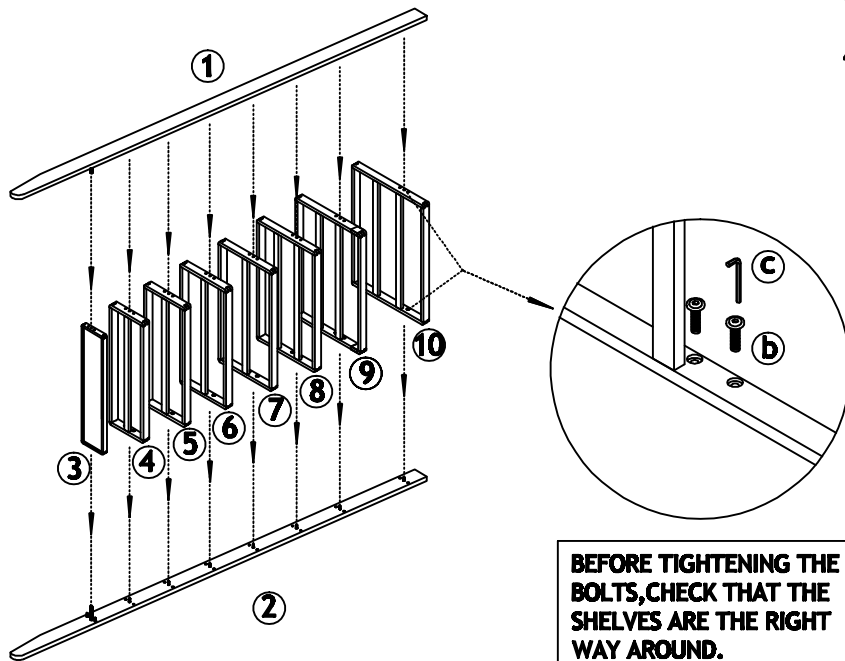


How To Assemble Your Shoe Rack

Please follow these instructions carefully



1. 3.
2.



BEFORE TIGHTENING THE BOLTS, CHECK THAT THE SHELVES ARE THE RIGHT WAY AROUND.

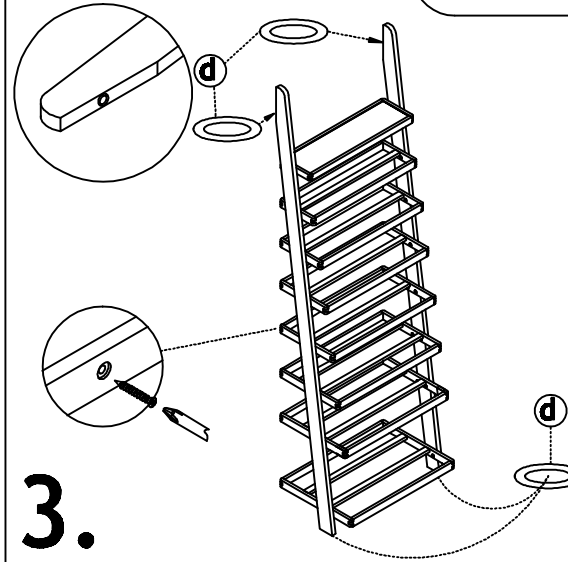
FUTON

C O M P A N Y



How To Use

Please read carefully



To ensure that the unit remains stable, either use fixing hole to fix it to the wall or apply the Anti-slip pads to the ends of the rails.
For safety reasons, we advise you to fix this item to the wall if young children or boisterous dogs are liable to bang into it. Never allow children to climb on furniture.

Fixings to attach shelf to wall are not included as different wall materials require different types of fixing. Contact your local specialised hardware store for advice on suitable fixing.

4.

FINISH

Your Shoe Rack is made from solid Oak and Oak veneer

CARE

To clean your Shoe Rack, wipe with a damp cloth followed by a dry cloth.

IMPORTANT

To ensure maximum performance from this product, we advise that you check and tighten all bolts and screws on a regular basis to avoid damage and strain to parts.

GUARANTEE

This instruction leaflet forms part of your guarantee. Please retain it. The ROPO number along with your invoice number will need to be quoted in all correspondence with Futon Company.

Thank you for choosing Futon Company.

