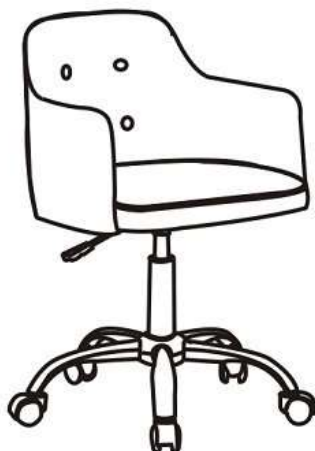


Rotary Upholstered Desk Chair



Please read these instructions very carefully before you begin to ensure that your Futon Company Rotary Chair will give you many years of satisfaction

Thank you for buying a Futon Company product.

We are constantly striving to improve everything we do, but occasionally mistakes do occur. In the unlikely event that you find any part missing, please call your nearest Futon Company store and we will arrange for the despatch of an immediate replacement. Please keep all packaging until you have checked every part and assembly of your Futon Company product is complete.

Version: 1

Product Code: Chair Rotary

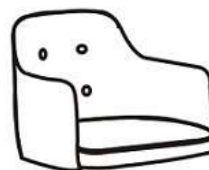
PO 9624

experts in small space living



Part Checklist

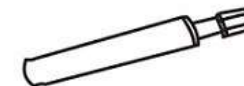
Please count and check every component very carefully before you begin



1. Seat x 1



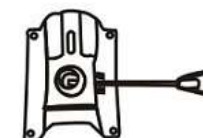
2. Base x 1



3. Gas Lift x 1



4. Castor x 5



5. Height Adjuster



Fittings Checklist

Please count and check every component very carefully before you begin

A



Allen Key x 1

B



Allen head bolt x 4
(18mm size)



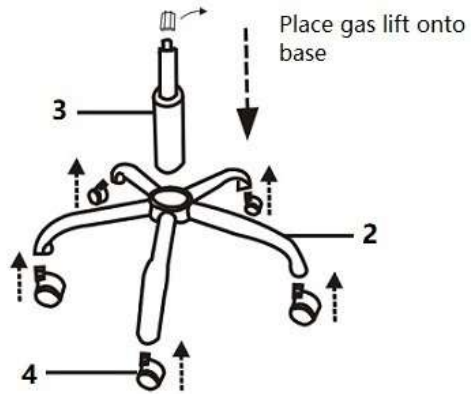
How to assemble Rotary Chair

Please follow these instructions carefully

FUTON

C O M P A N Y

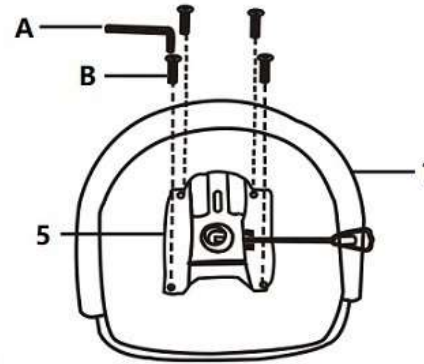
Step 1



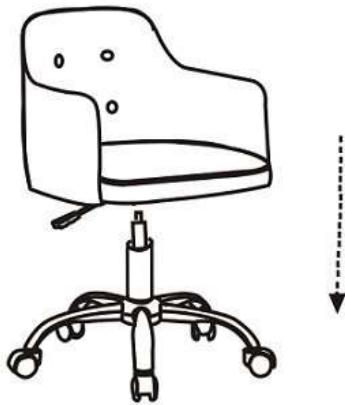
Place gas lift onto base

Fix castors into base and turn clockwise until it is tighten

Step 2

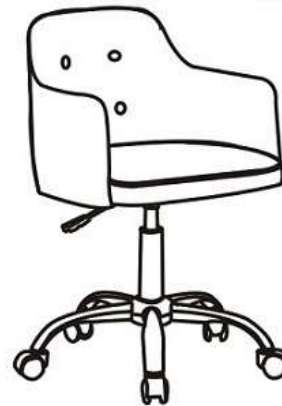


Step 3



Place seat onto gas lift and ensure all parts are fixed firmly before use.

Step 4



Pull adjuster for seat height adjusting

CARE

It is advisable to wipe off any liquid or stain on the fabric immediately and clean it with a mild detergent. Always test an area of unseen fabric first to ensure detergent is suitable.

IMPORTANT

To ensure maximum performance from this product, we advise that you check and tighten all bolts and screws on a regular basis to avoid damage and strain to parts.

Improper use, improper assembly and mishandling may lead to product damage.

DO NOT STAND ON THIS CHAIR

GUARANTEE

This instruction leaflet forms part of your guarantee, please retain it. The ROPO number along with your invoice number will need to be quoted in all correspondence with Futon Company.

Thank you for choosing Futon Company.

