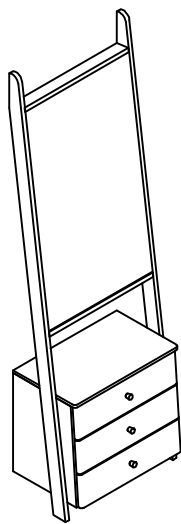


**Storage - Leaning Mirror Drawers**  
**(V3 RND)**

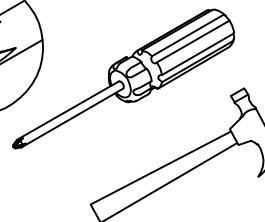
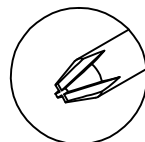


Please read these instructions very carefully before you begin assembly to ensure that your Futon Company product will give you many years of satisfaction.

Thank you for buying a Futon Company product. We are constantly striving to improve everything we do, but occasionally mistakes do occur. In the unlikely event that you find any part missing please call your nearest Futon Company store and we will arrange for the despatch of an immediate replacement.

Please keep all packaging until you have checked every part and assembly of your Futon Company product is complete.

This product should take approximately 90 minutes to assemble by one person.



You will need a cross head screwdriver and a hammer to assemble this product. An electric drill may cause damage and is not recommended.

An allen key is also supplied with this product for assembly.

The fittings pack contains **SMALL ITEMS** which should be **KEPT AWAY FROM YOUNG CHILDREN**. Please check the pack contents before attempting to assemble this product. A full checklist of components is given in this leaflet.

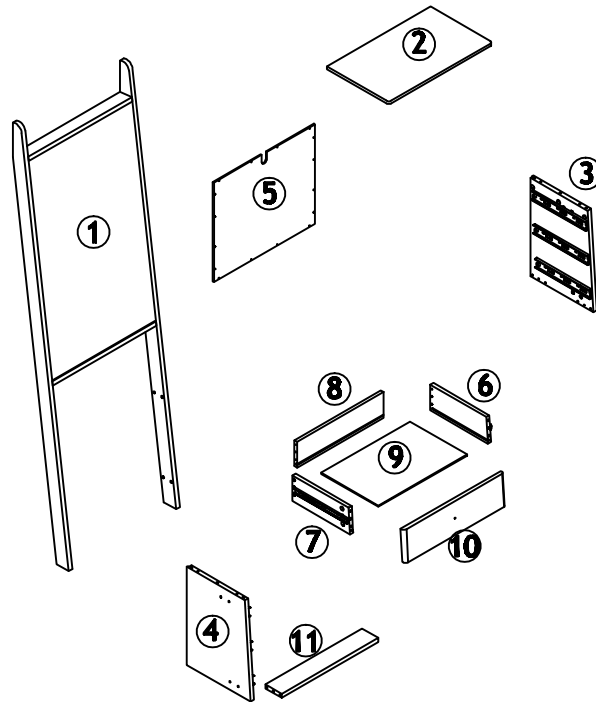
**ST LN MIR DRWS 3 ROPO**

# Fittings and Parts Checklist

Please check and count every component very carefully before you begin

## Parts Checklist

- ① Mirror x 1
- ② Top Drawer x 1
- ③ Side Panel R x 1
- ④ Side Panel L x 1
- ⑤ Back Panel x 1
- ⑥ Side Drawer R x 3
- ⑦ Side Drawer L x 3
- ⑧ Back Drawer x 3
- ⑨ Bottom Drawer x 3
- ⑩ Front Drawer x 3
- ⑪ Bottom Plate x 2



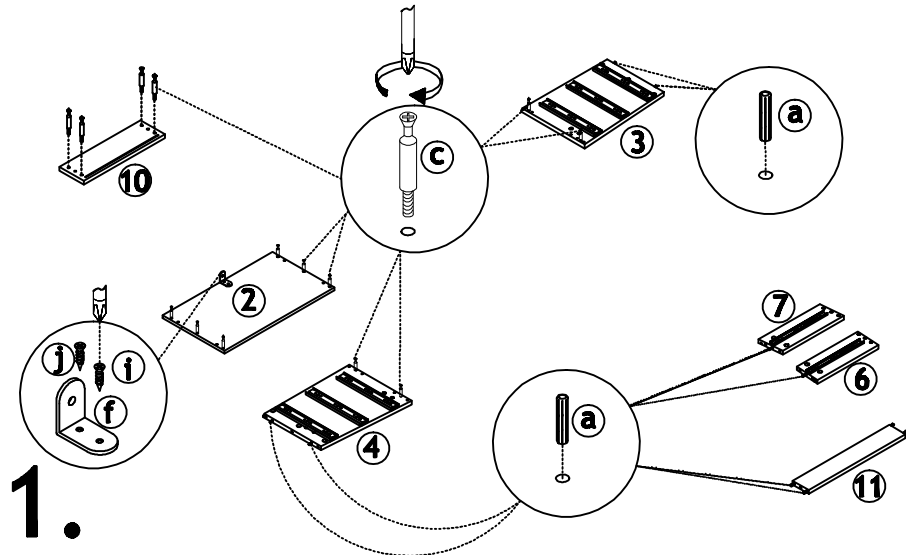
## Fittings Checklist

- a x 18
- b x 8
- c x 22
- d x 22
- e x 1
- f x 1
- g x 3
- h x 3
- i x 4
- j x 42 (6 x 12 mm)
- k x 18 (4 x 35 mm)

a x 18   f x 1    

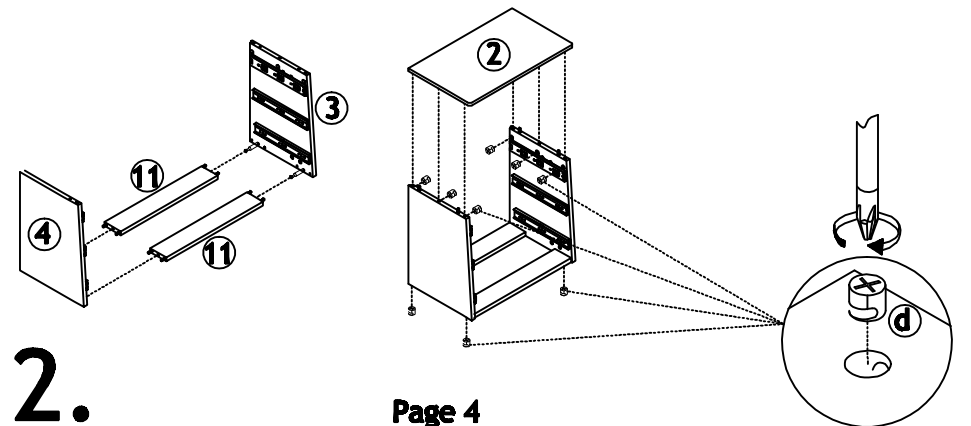
c x 22   j x 2

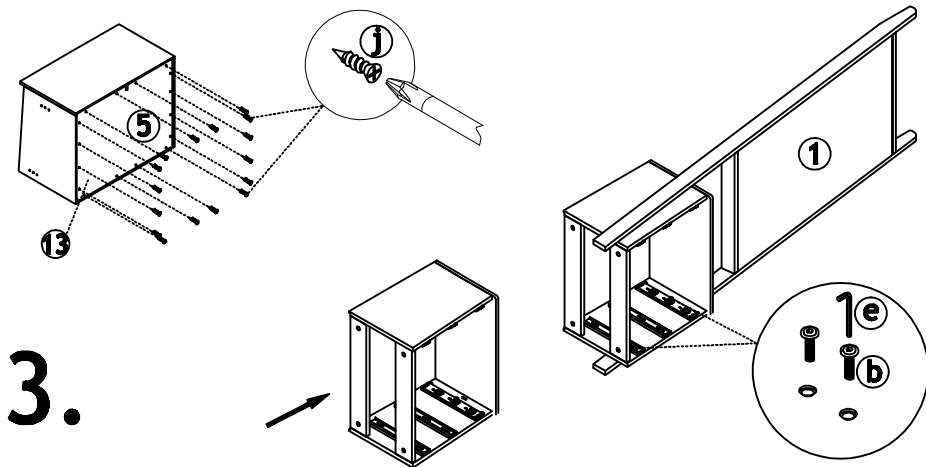
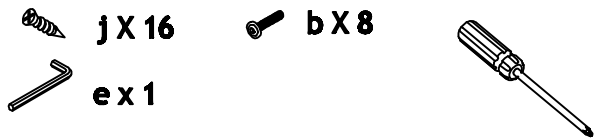
Fitting A can be secured by pushing into pre-drilled hole. If required use a hammer to tap gently into place.



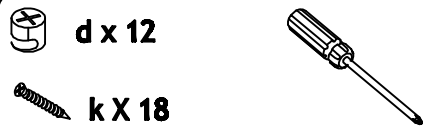
d x 10  

Slot parts 4, 11 & 3 together first. Then position part 2 into place. Secure by inserting fitting d into place and turning in a clockwise direction.

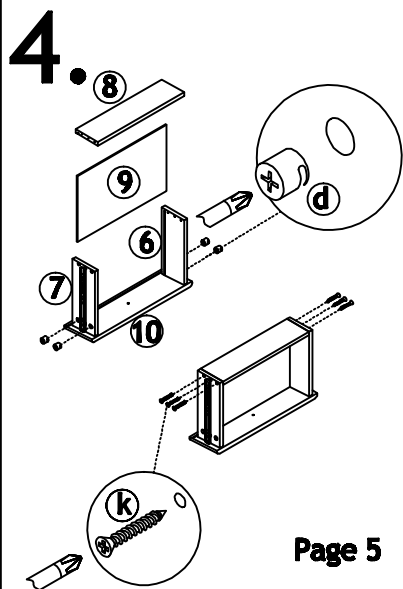




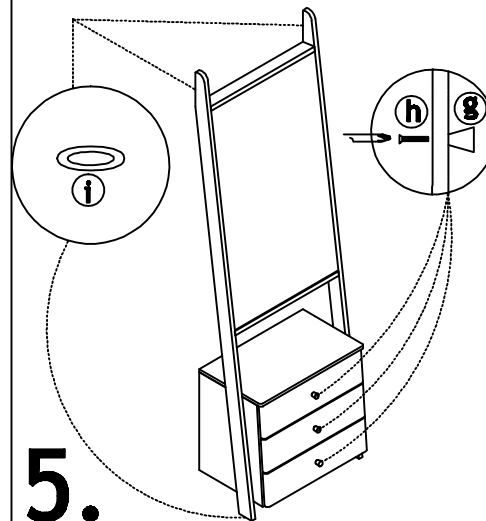
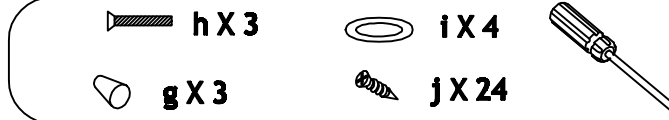
3.



To make this step of assembly easier, lay parts 6,7 and 10 on a flat surface before attaching parts 9 and 8.

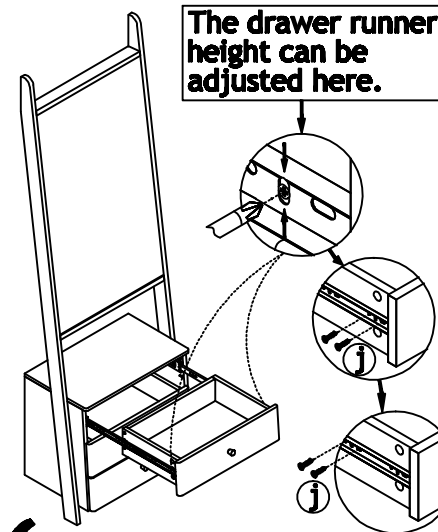


Page 5

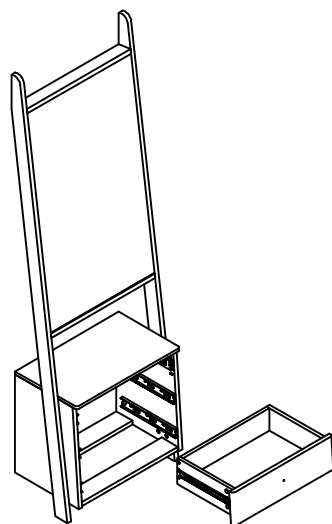


5.

To ensure that the unit remains stable, either use fixing hole to fix it to the wall or apply the Anti-slip pads to the ends of the rails.

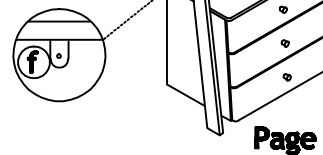


6.



Fixings to attach mirror to wall are not included as different wall materials require different types of fixing. Contact your local specialised hardware store for advice on suitable fixing. For safety reasons, we advise you to fix this item to the wall if young children or boisterous dogs are liable to bang into it. Never allow children to climb on furniture.

7.



Page 6

**FINISH**

Your Leaning Mirror is made from solid Oak  
**CARE**

To clean your Leaning Mirror, wipe with a damp cloth followed by a dry cloth.

**IMPORTANT**

To ensure maximum performance from this product, we advise that you check and tighten all bolts and screws on a regular basis to avoid damage and strain to parts.

**GUARANTEE**

This instruction leaflet forms part of your guarantee. Please retain it. The ROPO number along with your invoice number will need to be quoted in all correspondence with Futon Company. Thank you for choosing Futon Company.