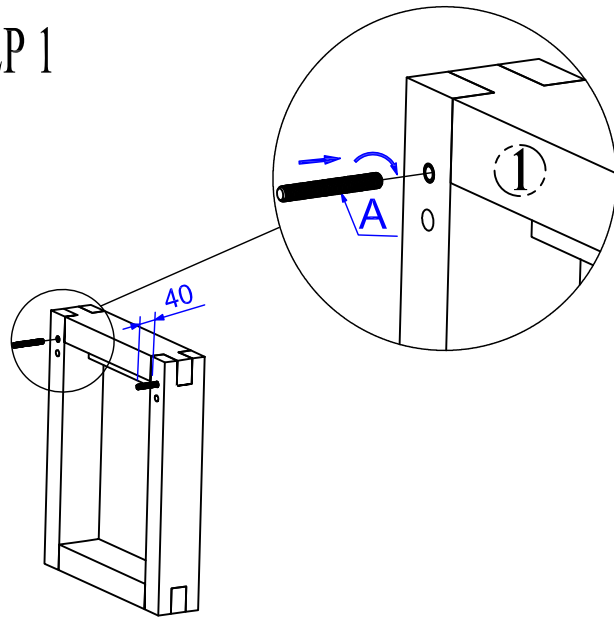


ASSEMBLY INSTRUCTION

FUTON
C O M P A N Y

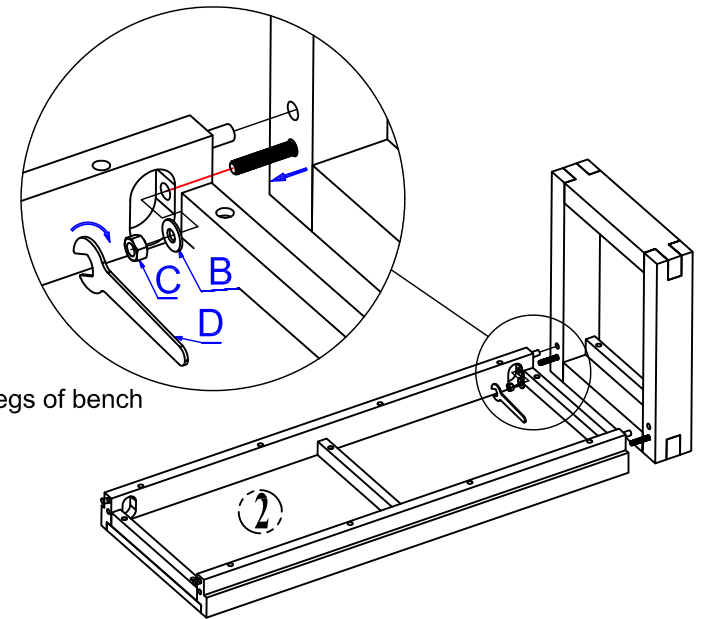
STEP 1



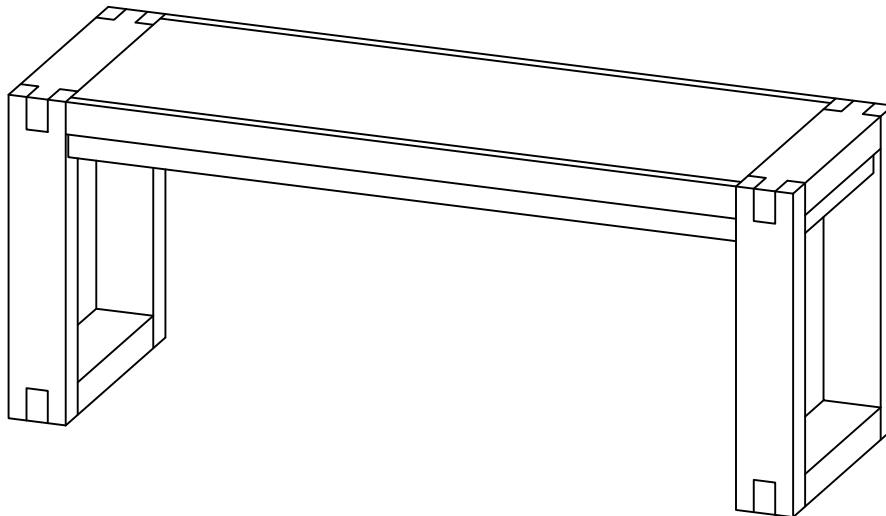
STEP 2

Keep bench top faced down in packing materials during assembly to protect surface

Repeat this step for both legs of bench




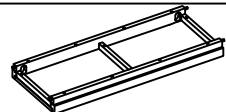
STEP 3







ITEM NAME : BENCH - OKE CONSOLE BENCH

PRODUCT CODE : T4 OKE CON BENCH

PARTS LIST

Leg	Top
	
① 2 Pcs	② 1 Pc

HARDWARE LIST

Bolts: 8x60	Washers: 8x19	Nuts: 8x13	Key 13
			
④ 4 Pcs	④ 4 Pcs	④ 4 Pcs	① 1 Pc