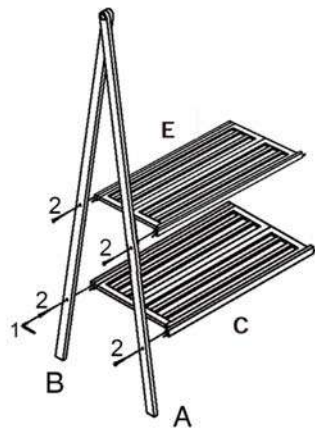
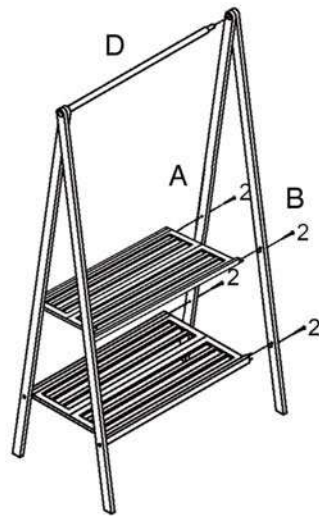




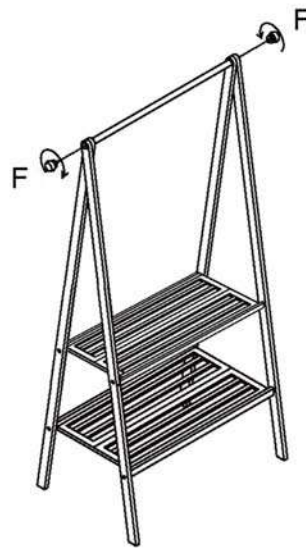
ST BAM FOLD WARD



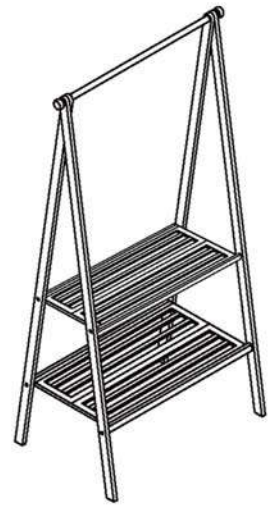
STEP1



STEP2



STEP3



STEP4

To fold your Bamboo Folding Wardrobe away for storing, carefully lift the bottom and top shelves simultaneously.

A	2PCS	B	2PCS	C	1PC	D	1PC	E	1PC	F	2PCS	2	8PCS