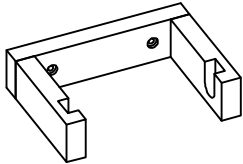


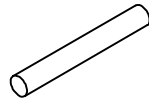
Bathroom Oak Toilet Roll Holder ROPO

FUTON
C O M P A N Y

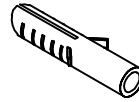
Fittings to attach your Toilet Roll Holder to the wall are supplied. But different wall constructions require fittings that are suitable for your wall type. If you are unsure for the correct type of fitting for your wall, please contact your local specialised hardware store for information on suitable fitting.



(a)



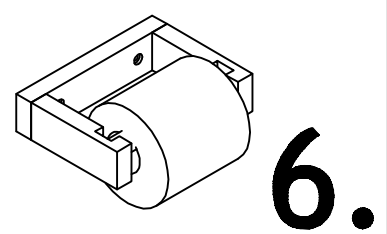
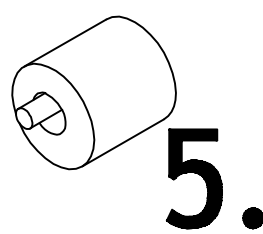
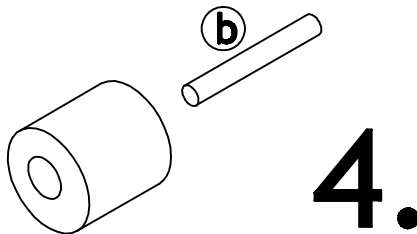
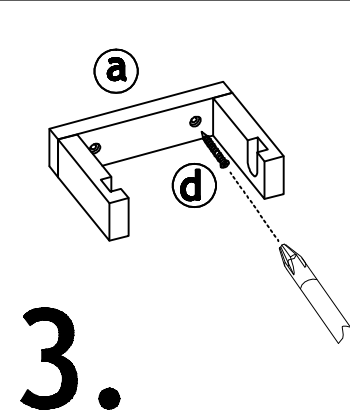
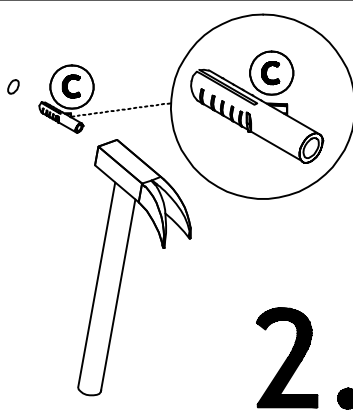
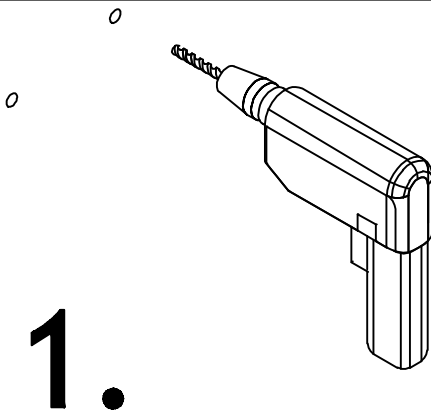
(b)



(c) Wall fixing x 2



(d) Screw x 2



FINISH

Your Holder is made from solid Oak and has an oiled finish.

CARE

To clean your Holder, wipe with a damp cloth followed by a dry cloth.

IMPORTANT

To ensure maximum performance from this product, we advise that you check and tighten all

bolts and screws on a regular basis to avoid damage.

GUARANTEE

This instruction leaflet forms part of your guarantee, please retain it. The ROPO number along with your invoice number will need to be quoted in all correspondence with Futon Company.

Thank you for choosing Futon Company.

Version number: 1

Product code: ST BTH ROLL

Date: 1/11/17

experts in small space living