

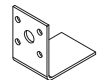

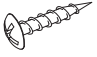



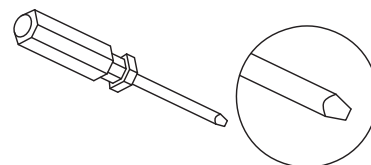
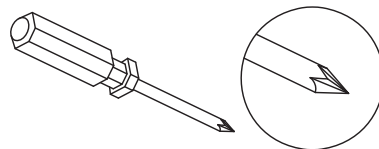
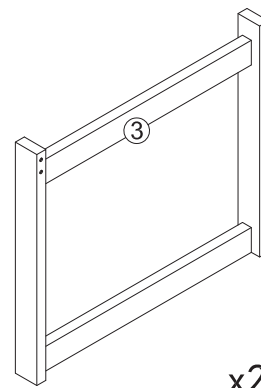
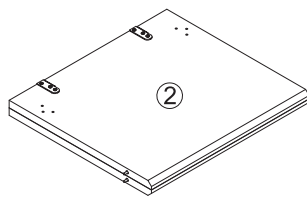
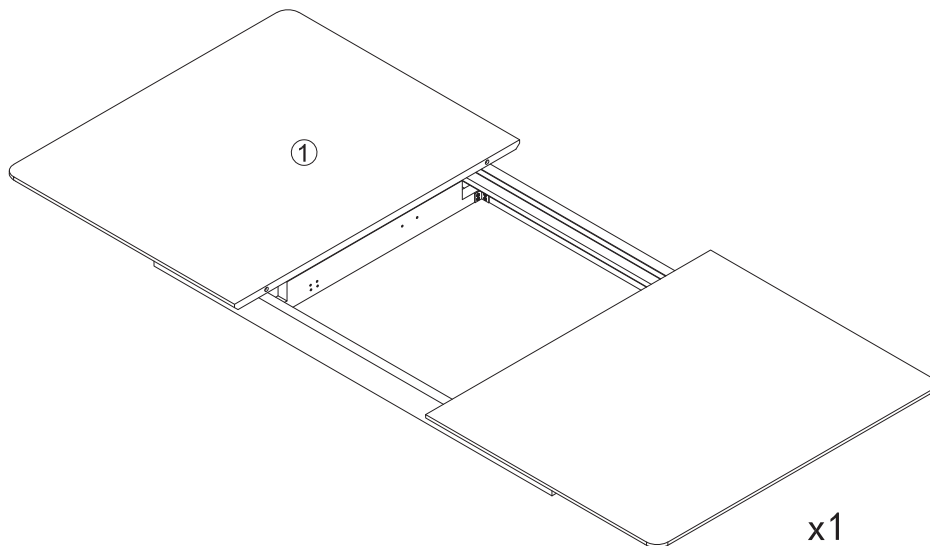
ASSEMBLY INSTRUCTIONS

FUTON

C O M P A N Y

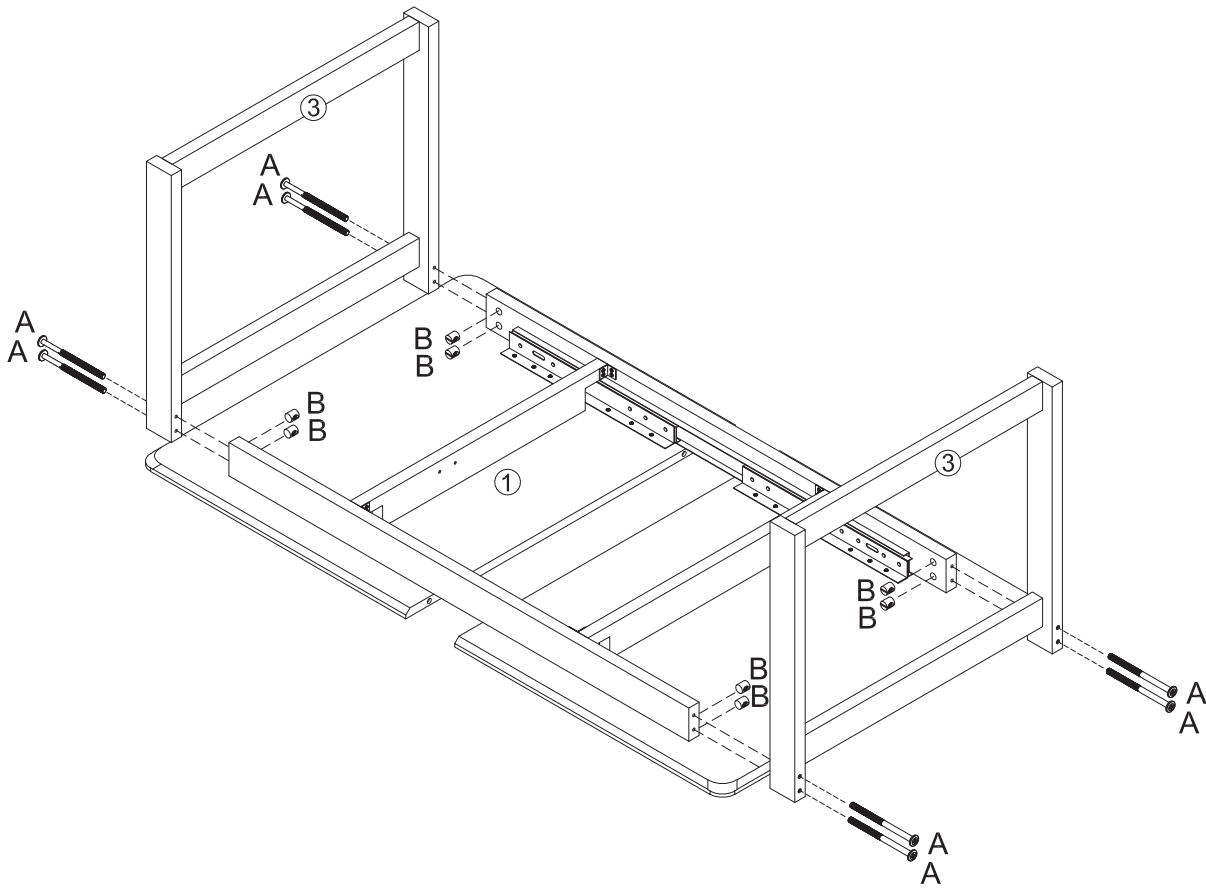
T4 LEONARDO

A	B	C	D	E	F
					
8 PIECES	8 PIECES	1 PIECE	2 PIECES	14 PIECES	8 PIECES

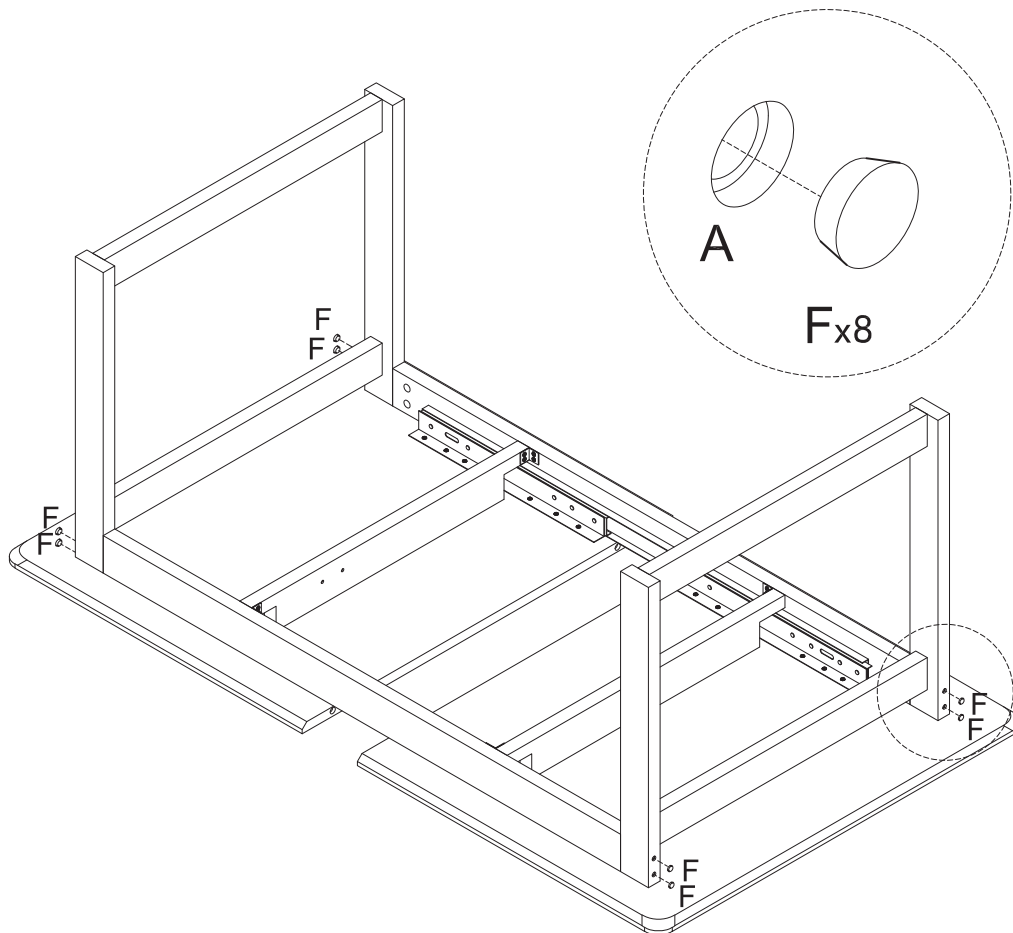


Allow 60 minutes to assemble this item

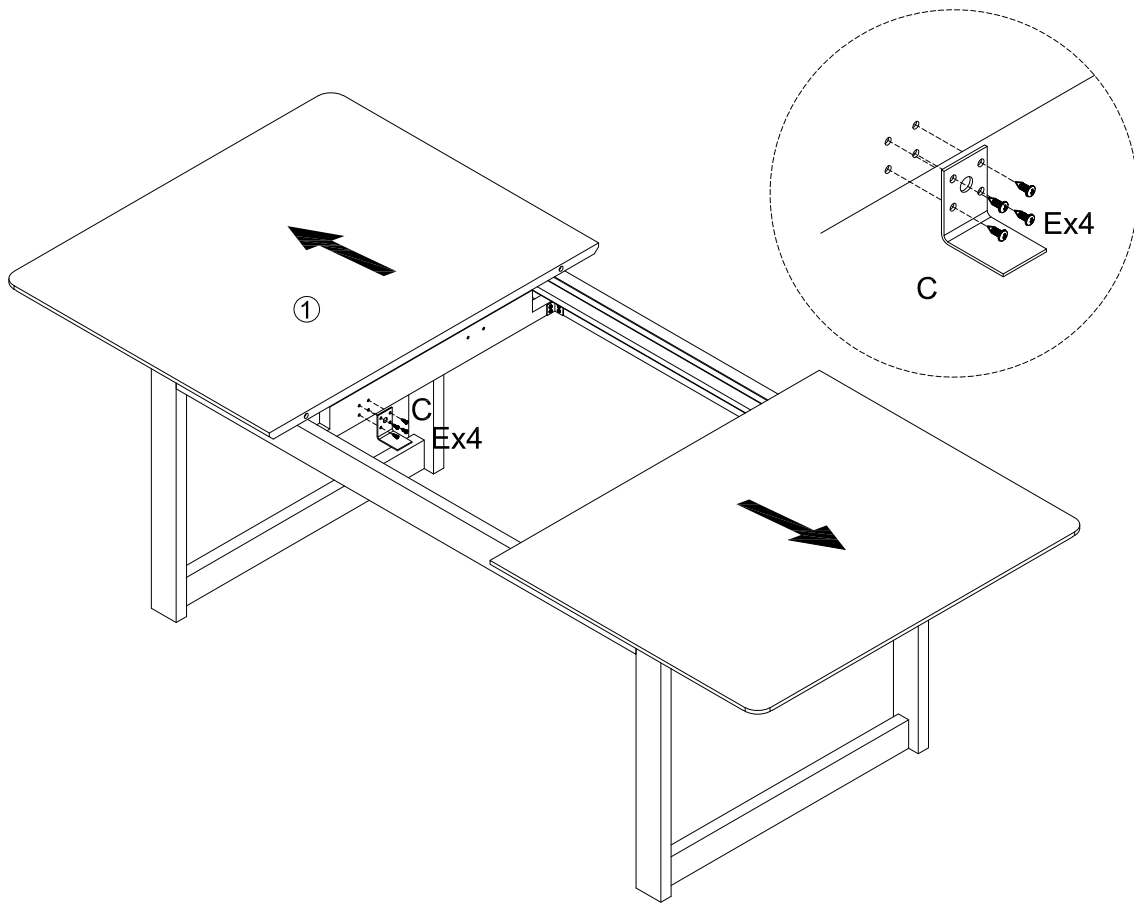
1. Lay the table top face down on a clean, flat, soft, surface to prevent scratching the top.



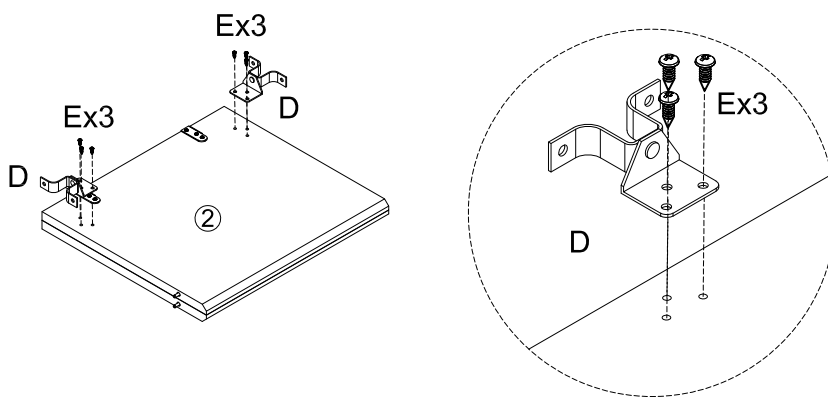
- 2.



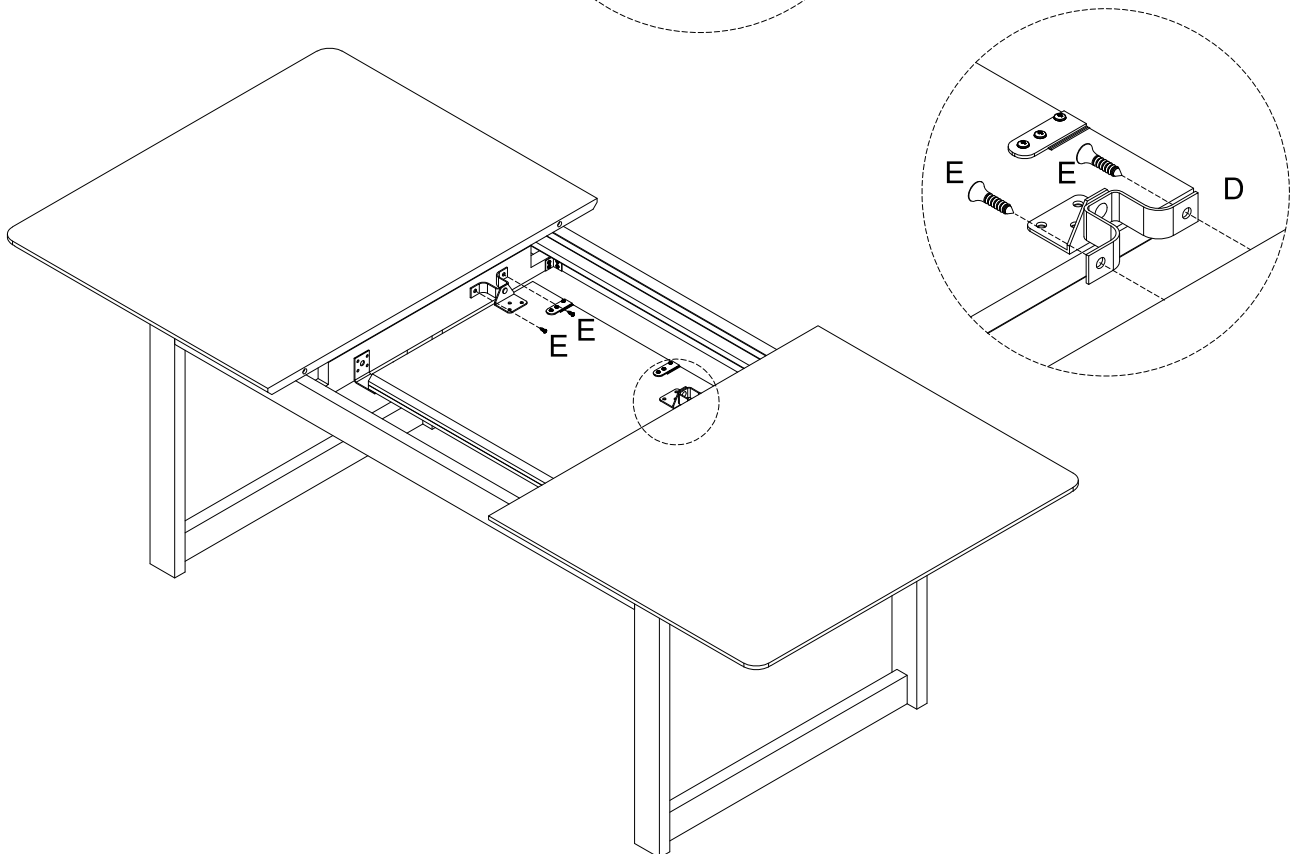
3.



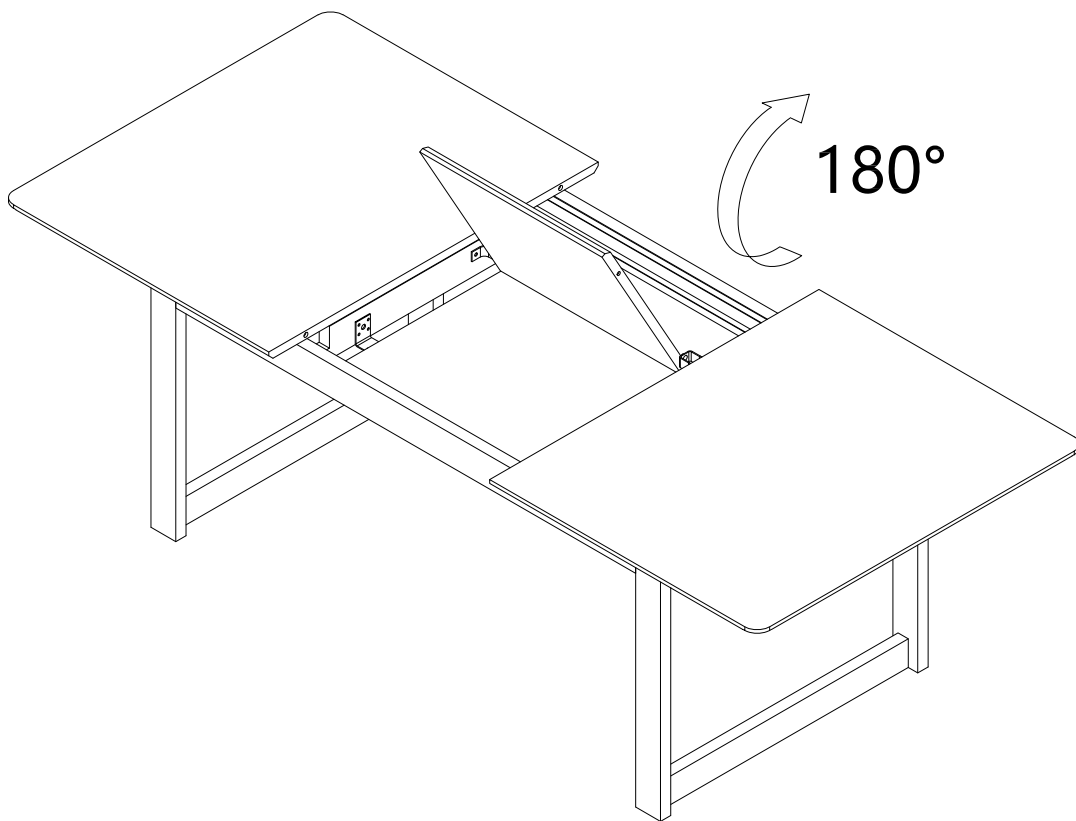
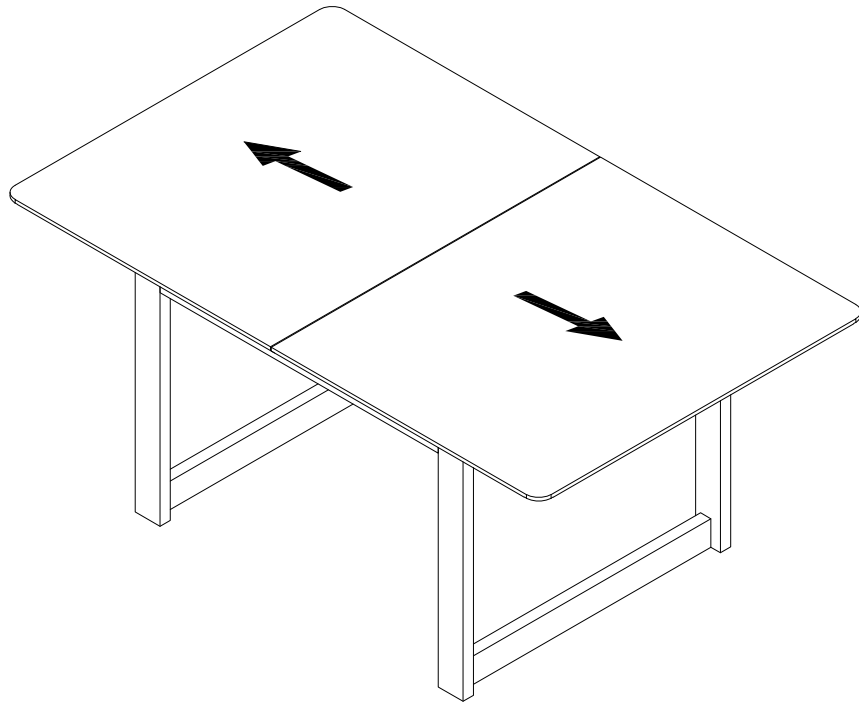
4.

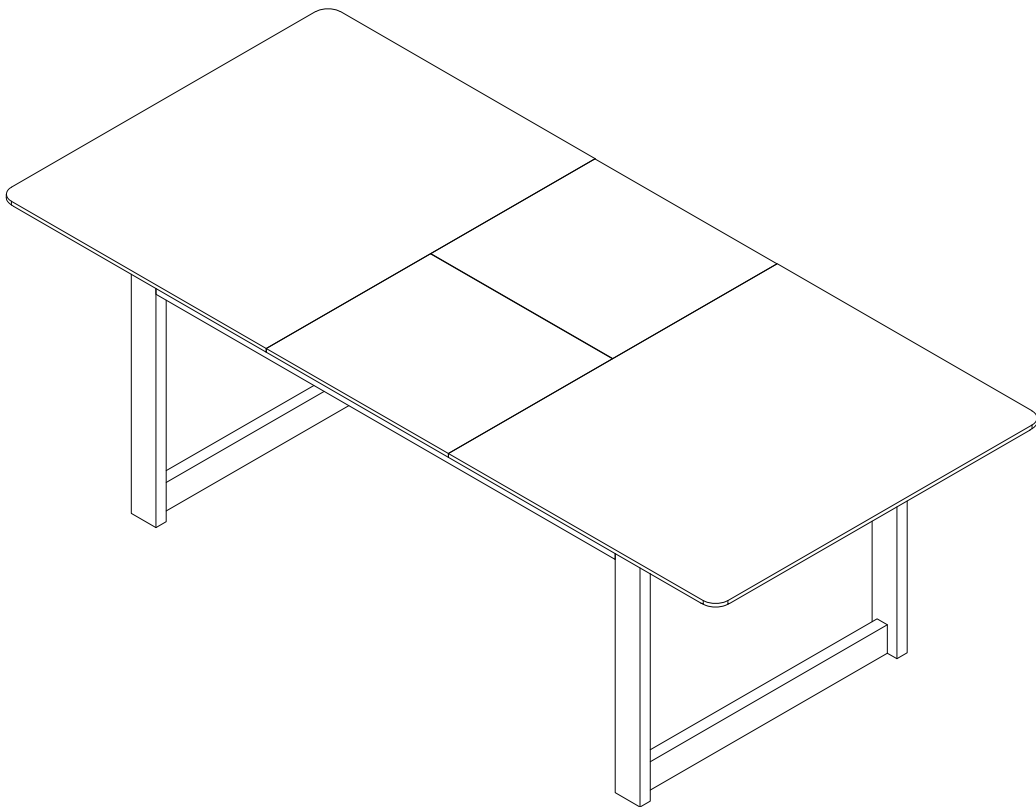
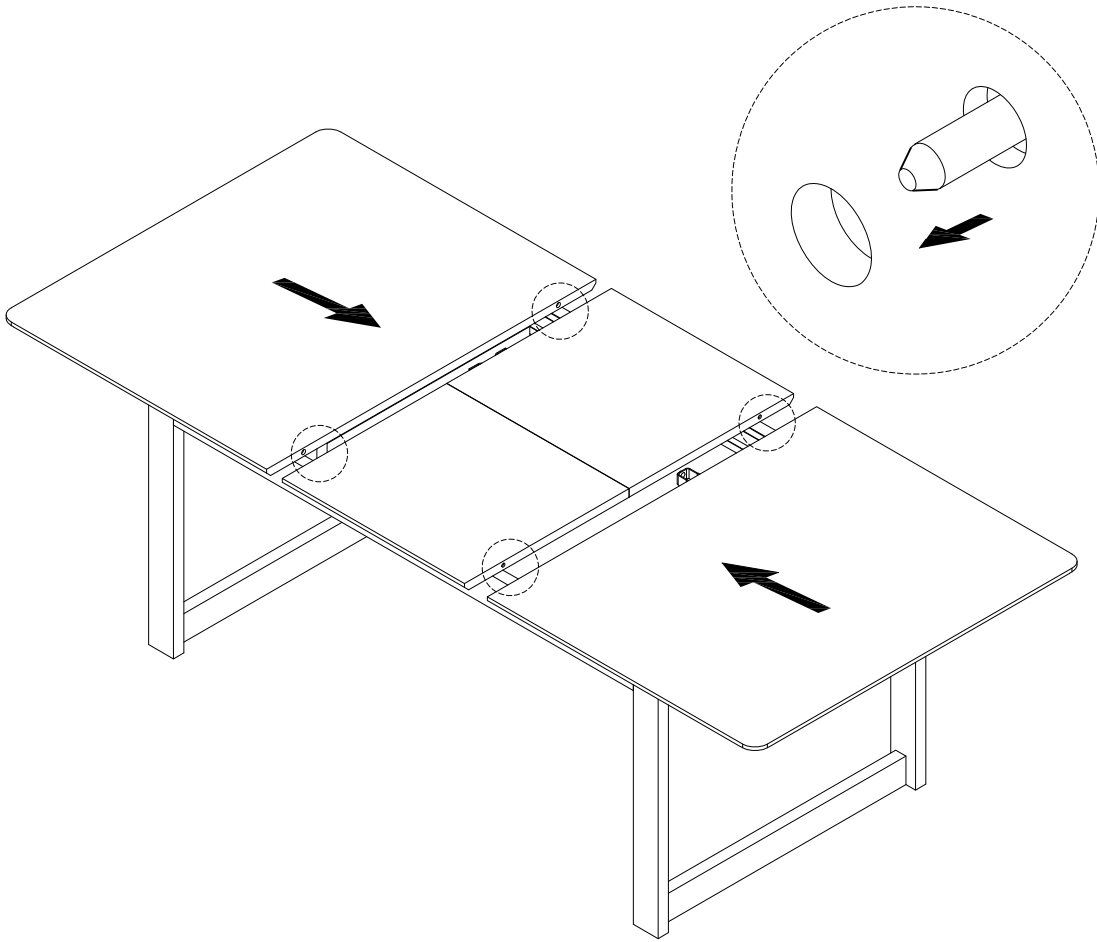


5.



6. To open:





7. To close:

