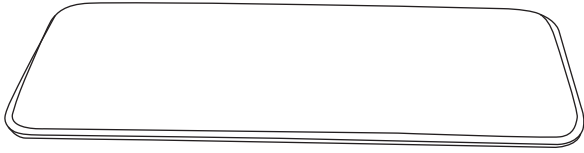
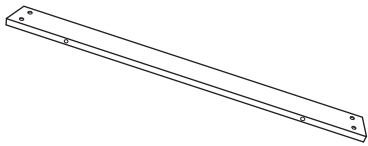


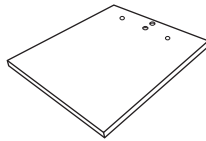
Parts Checklist



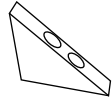
A ×1



B ×1

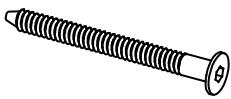


C ×2



D ×4

Fittings Checklist



1 ×6 pcs
6x50mm



2 ×8 pcs
6x30mm



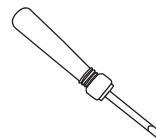
3 ×4 pcs



4 ×1 pc

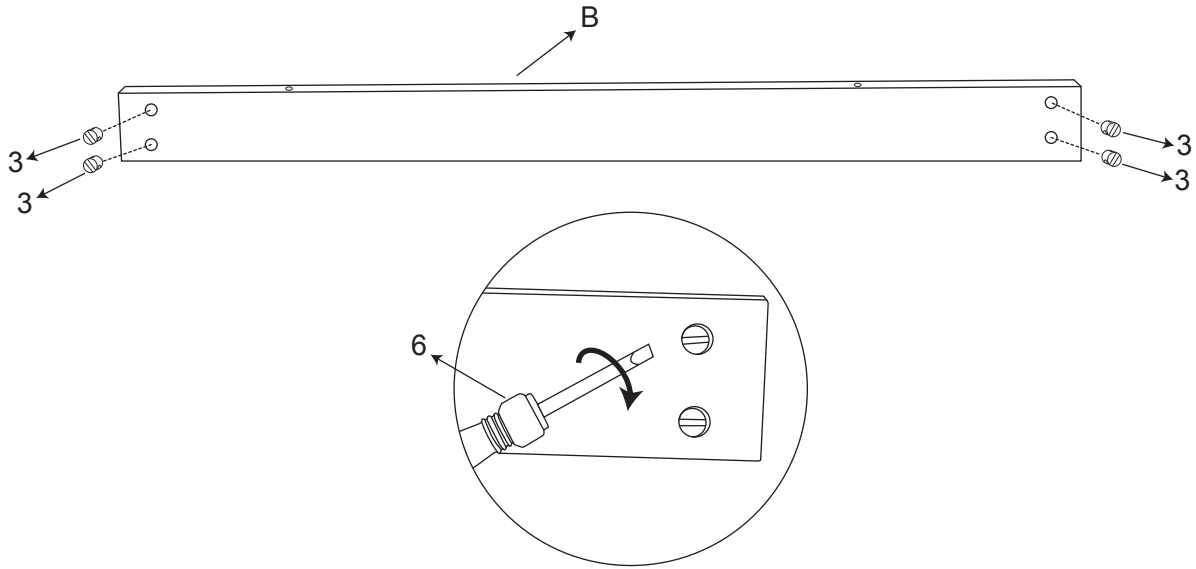
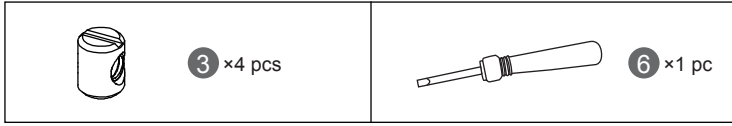


5 ×4 pcs

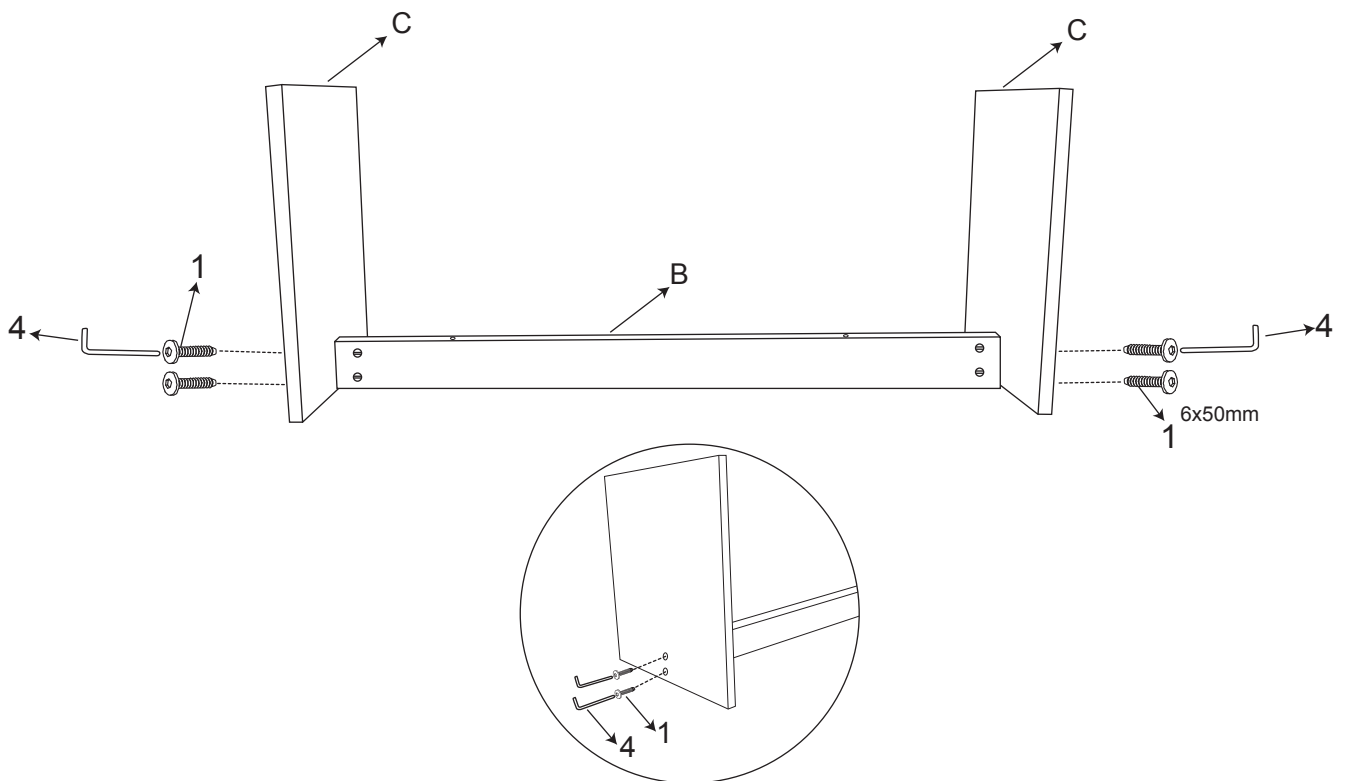
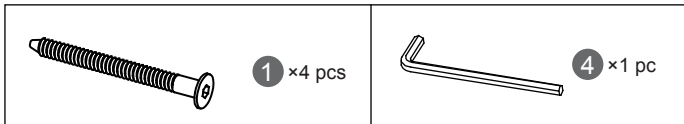


6 ×1 pc

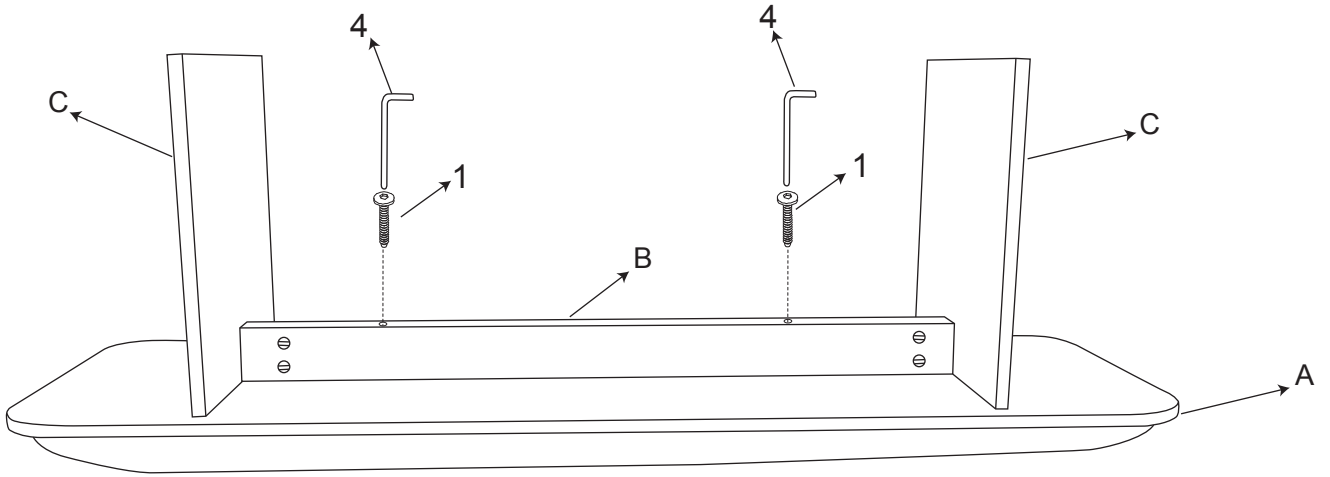
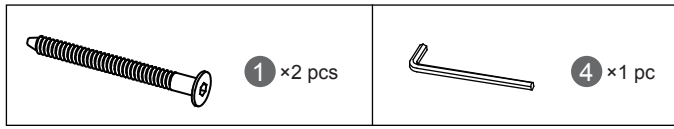
1



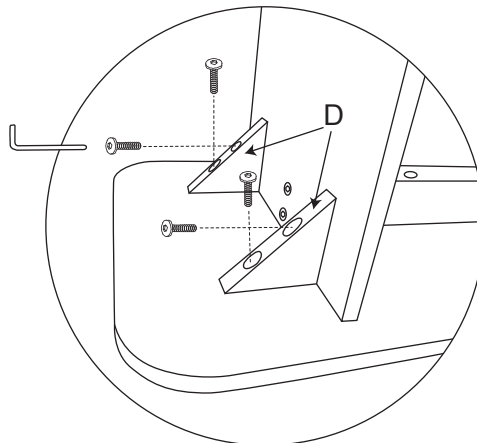
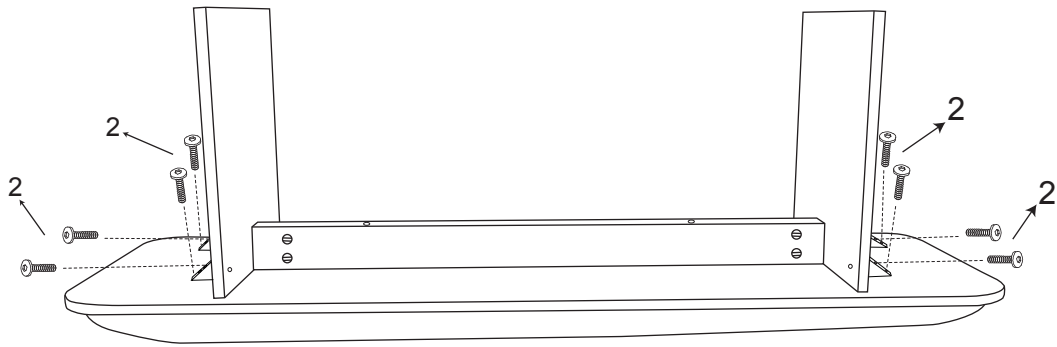
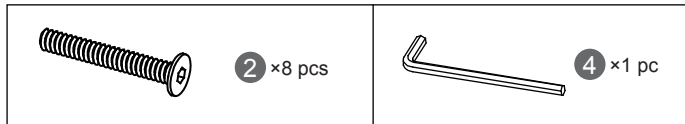
2



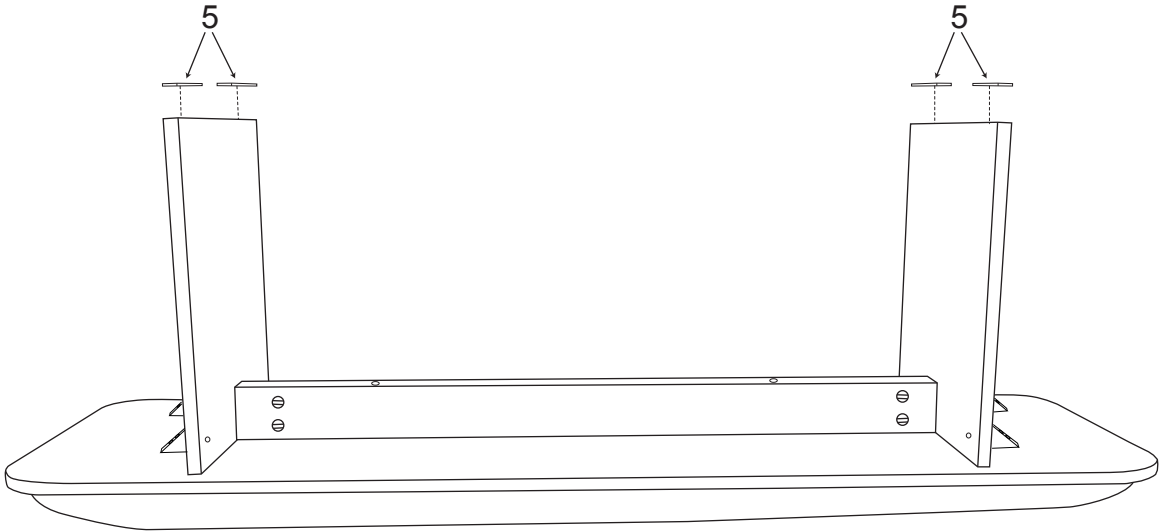
3



4



5



6

