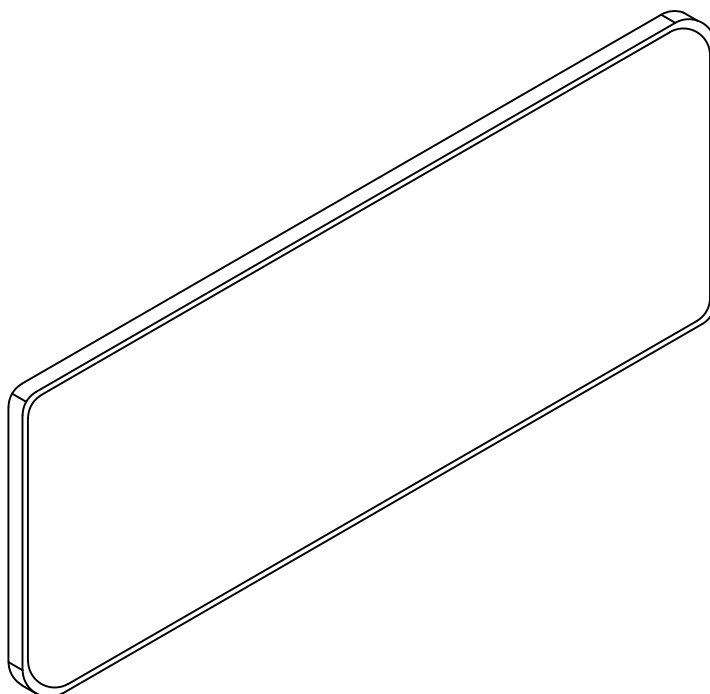




ST HEADBD MATTARI INSTRUCTIONS

PO11989

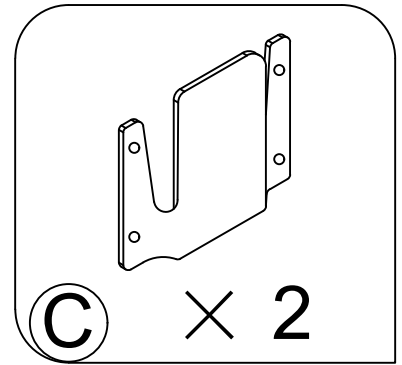
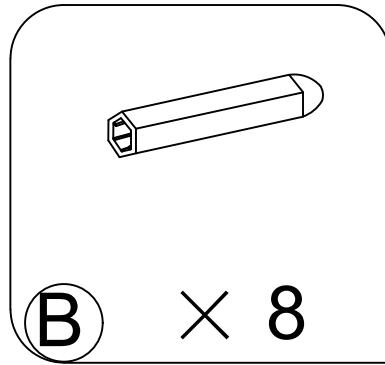
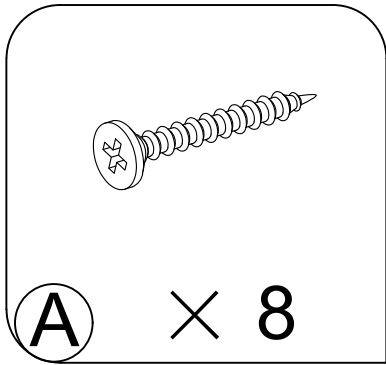


Please read these instructions very carefully before you begin, to ensure that your Futon Company sofa bed will give you many years of satisfaction.

Thank you for buying a Futon Company product. We are constantly striving to improve everything we do, but very occasionally mistakes do occur. In the unlikely event that you find any part missing, please contact your nearest Futon Company store and we will arrange for despatch of an immediate replacement.

Please keep all packing until you have checked every part and assembly of your Futon Company product is complete.

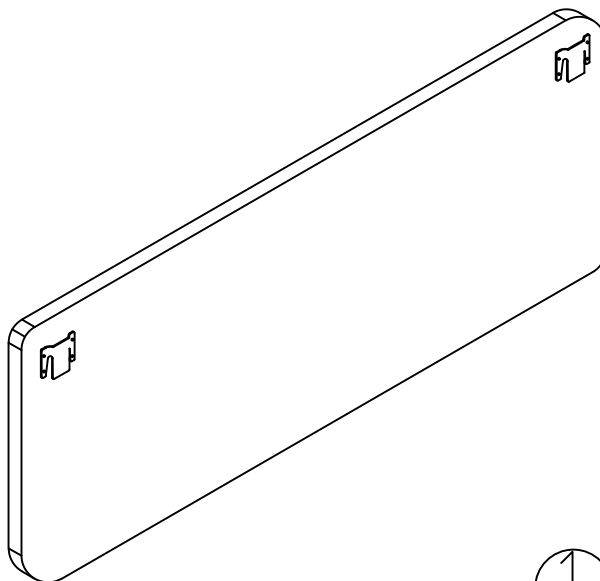
Hardware List



ATTENTION:BEFORE STARTING TO ASSEMBLE PLEASE ENSURE ALL PARTS ON THIS PAGE ARE AVAILABLE

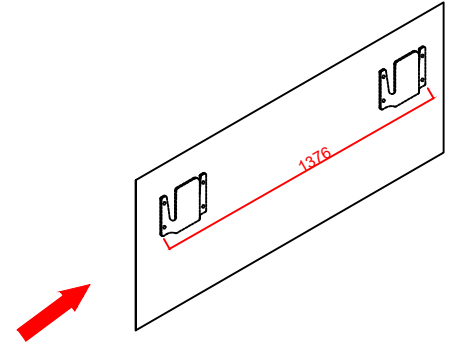
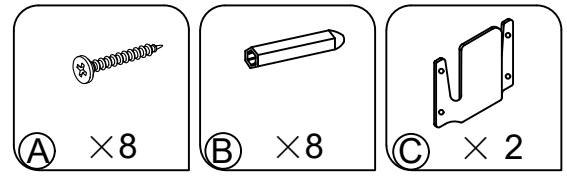
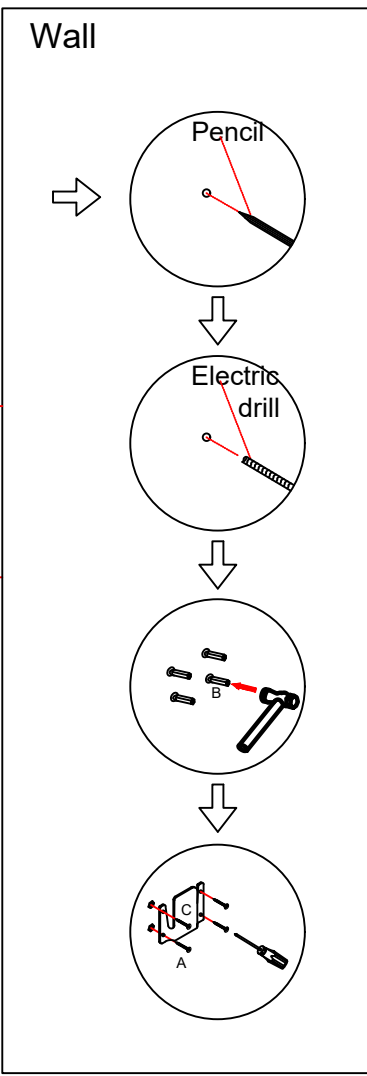
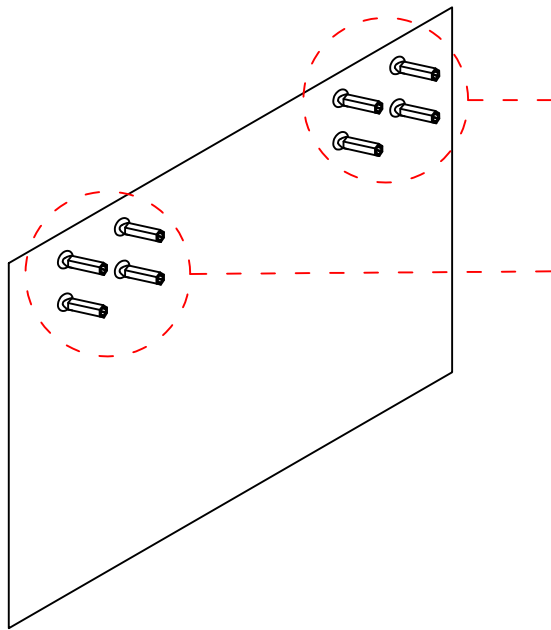
Part List

CARTON (A)



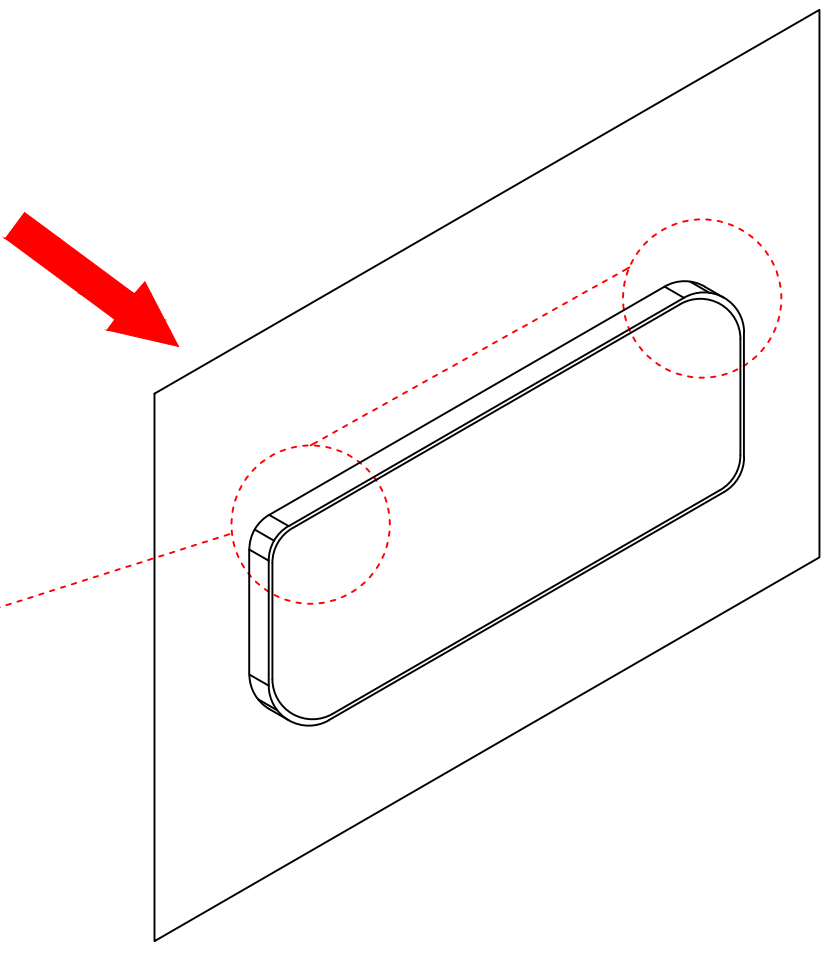
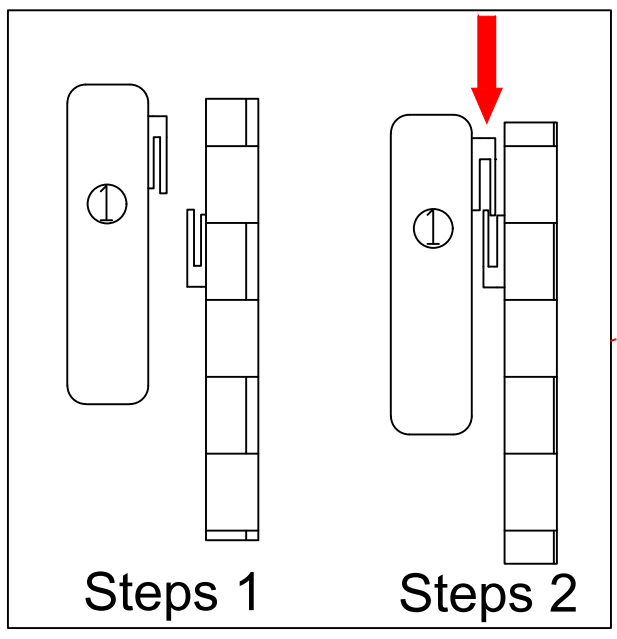
① × 1pc

Step 1



Spacing for fitting C is 1376mm from the outside edges as shown.

Finish.



CARE INSTRUCTIONS

To protect and care for your headboard, we suggest the following cautions:

Position the headboard at least 50 cm, from sources of heat such as heaters or radiators.

Avoid exposing the headboard to direct sunlight or to powerful lamps to ensure the colour of the covering remains bright.

Don't pull loose threads, cut them instead.

To remove dust from your fabric headboard brush delicately using a brush with soft bristles, or use a vacuum cleaner at a medium power setting using the most suitable accessory supplied with the cleaner and taking care not to rub the accessory directly on the covering.

To maintain the aesthetic appearance it is advisable to treat each stain before it is absorbed: this will avoid prolonged or abrasive treatments being required.

If it is found necessary to use solvents, avoid applying the solvents directly on the stain. Pour the solvent onto a clean cloth: each treatment should first be tested on a hidden area of the sofa.

Use of detergents for washing dishes or similar detergents is not recommended because residues may be deposited on the covering fibres.

Clean the stain by adopting a circular movement, working from the outside towards the centre. Always take care to rub each stain delicately.