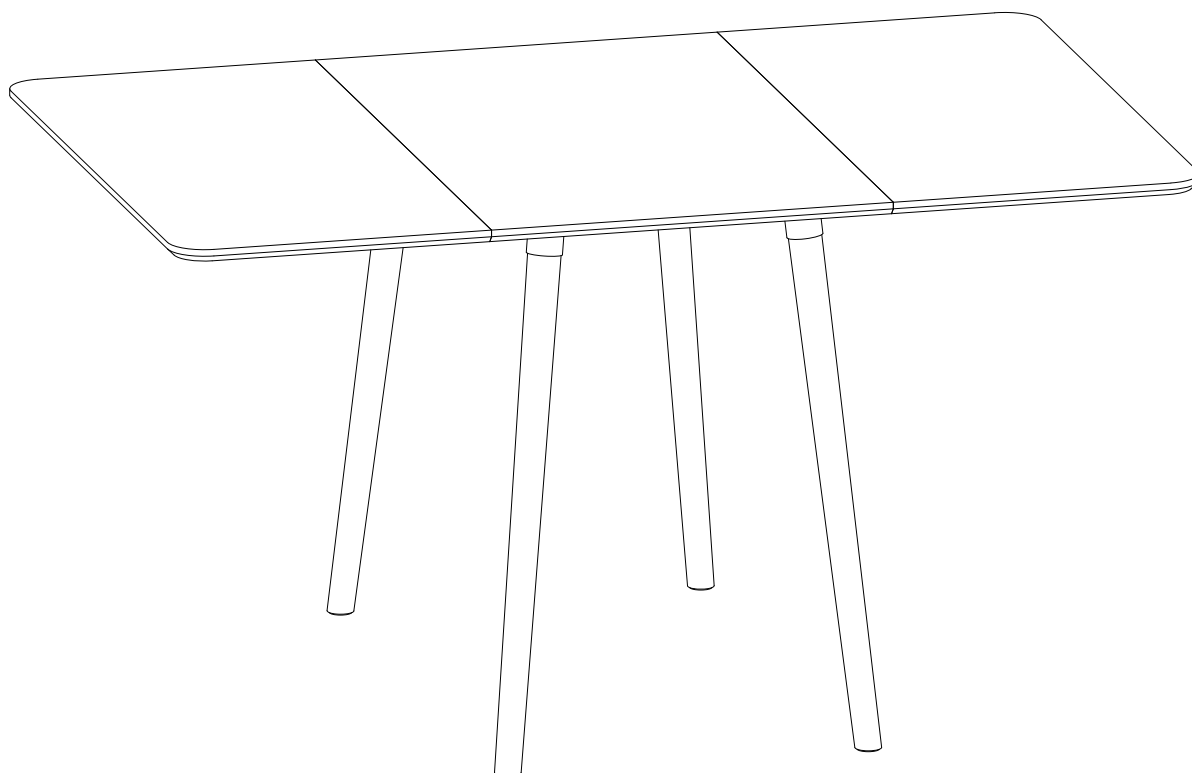


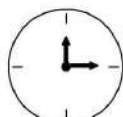
# T4 ATLAS - PO11857



Assembly Instructions - Please keep for future reference.  
Important - Please read these instructions fully before starting assembly.



2PERS

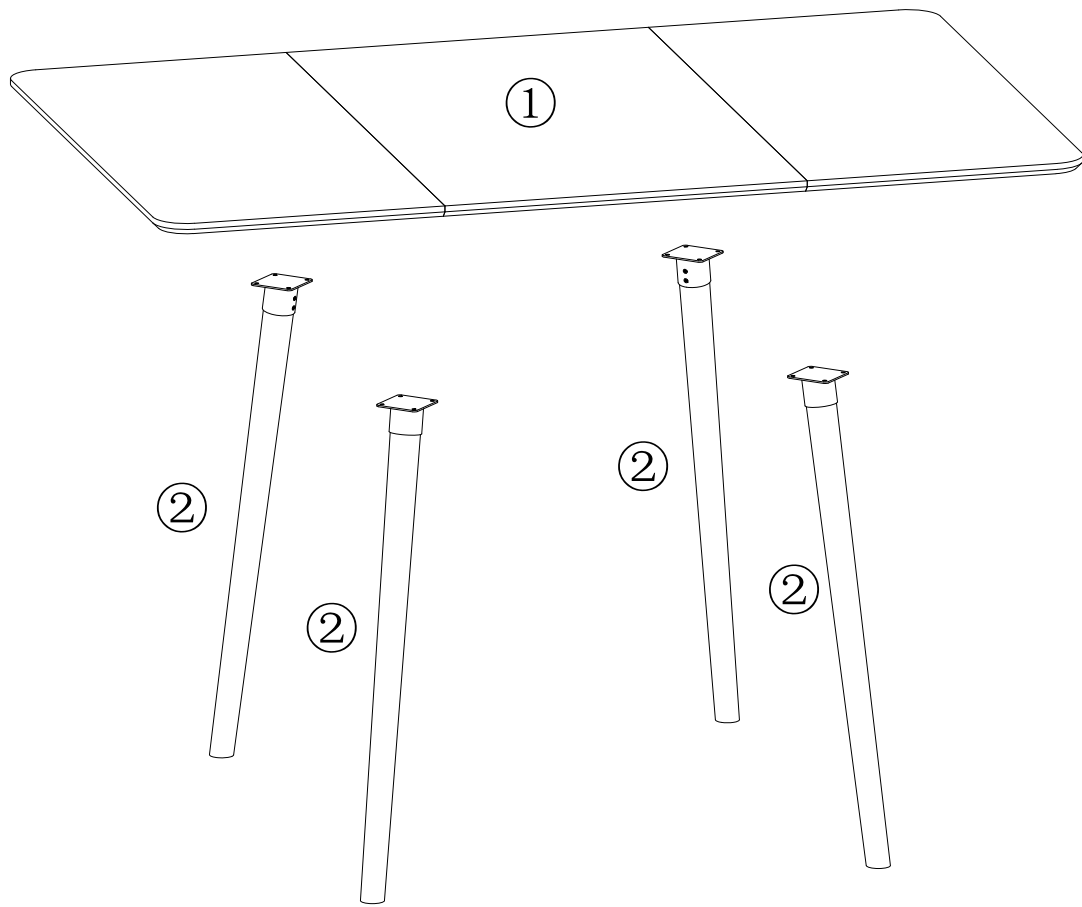


20MIN

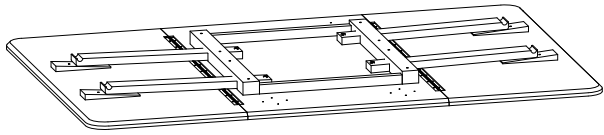

Tool Required Not Provided





# Assembly Instructions



## Parts Checklist

	
① x 1pc	② x 4pcs

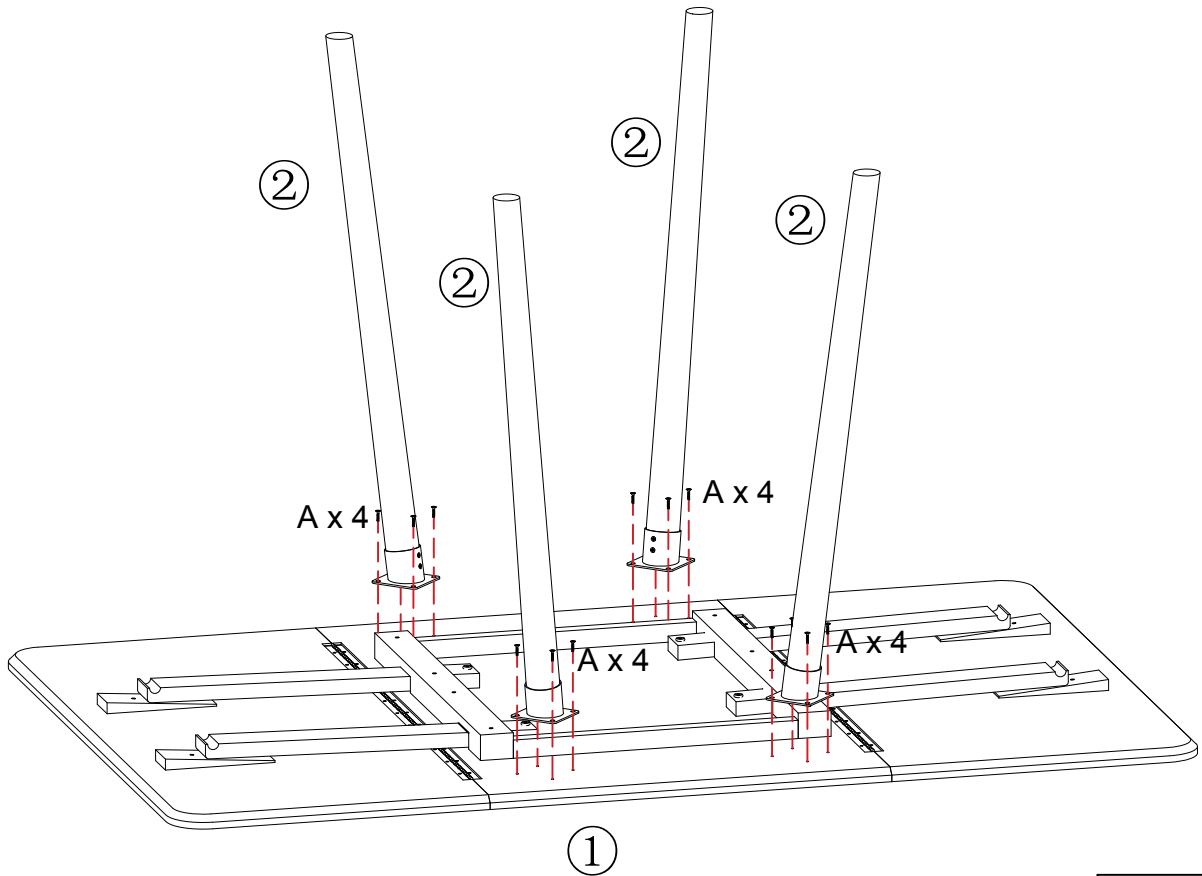
## Fittings Checklist

 M4x16mm	
A x 16pcs	B x 4pcs

Please check and count every component carefully before you begin. Note: The quantities listed are correct, but in some cases more fittings may be supplied than required.

# Assembly Instructions

## STEP 1



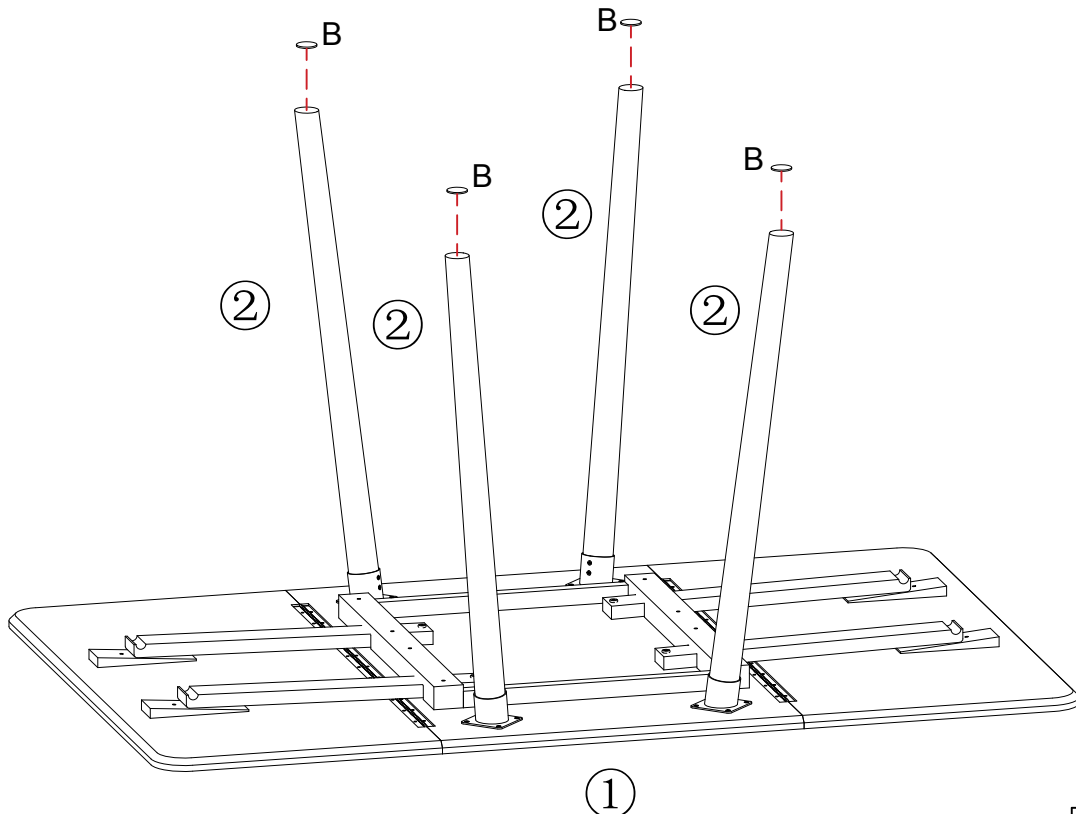
Keep table top faced down in packing materials during assembly to protect surface.



M4x16mm

A x 16 pcs

## STEP 2



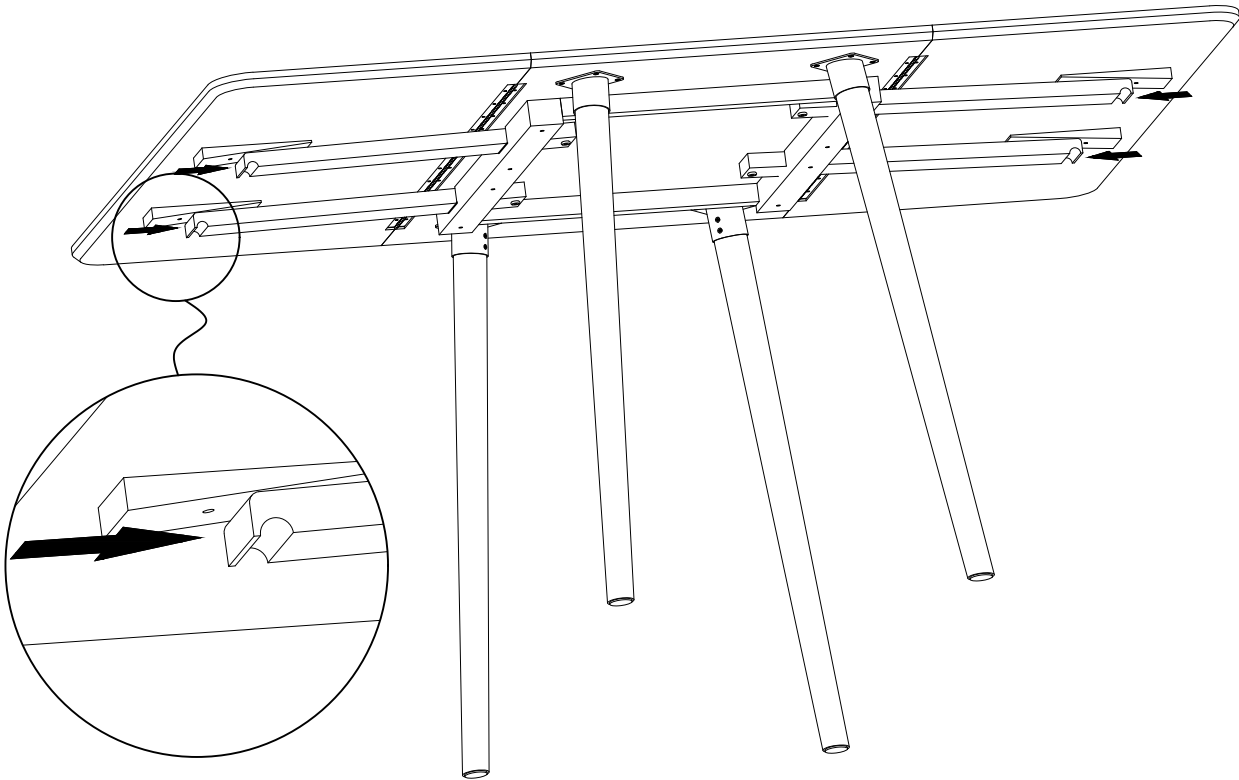
2 people are recommended when turning the table.



B x 4 pcs

# Assembly Instructions

## STEP 3



To close table, hold tabletop whilst sliding support into centre.  
To open, do the reverse.

## STEP 4

