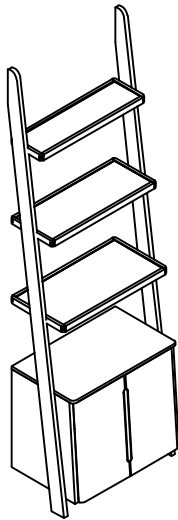


## Shelving - Oak Rounded Leaning Narrow Cabinet (V4)

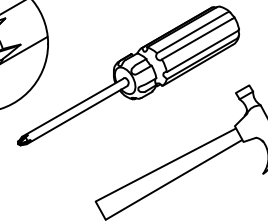
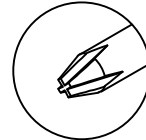


Please read these instructions very carefully before you begin assembly to ensure that your Futon Company product will give you many years of satisfaction.

Thank you for buying a Futon Company product. We are constantly striving to improve everything we do, but occasionally mistakes do occur. In the unlikely event that you find any part missing please call your nearest Futon Company store and we will arrange for the despatch of an immediate replacement.

Please keep all packaging until you have checked every part and assembly of your Futon Company product is complete.

This product should take approximately 90 minutes to assemble by one person.



You will need a cross head screwdriver and a hammer to assemble this product. An electric drill may cause damage and is not recommended.

An allen key is also supplied with this product for assembly.

The fittings pack contains **SMALL ITEMS** which should be **KEPT AWAY FROM YOUNG CHILDREN**. Please check the pack contents before attempting to assemble this product. A full checklist of components is given in this leaflet.

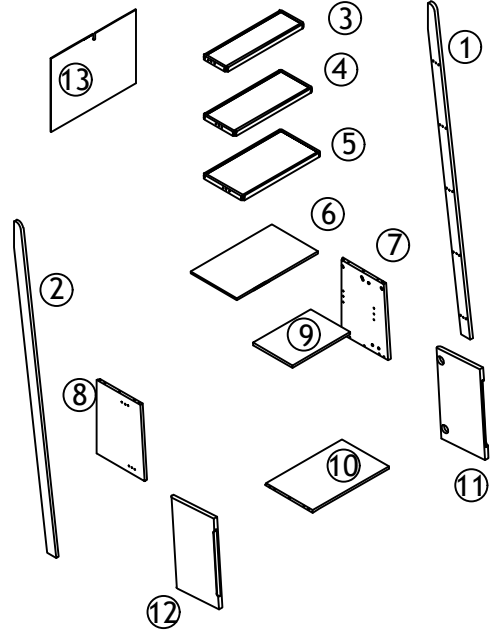
ST LN NRW CAB V4 ROPO

# Fittings and Parts Checklist







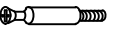




Please check and count every component very carefully before you begin

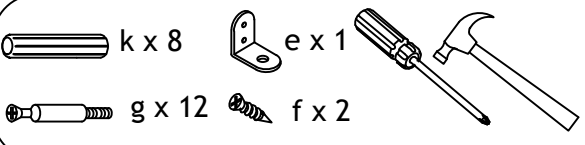
## Parts Checklist

- ① Right side rail x 1
- ② Left side rail x 1
- ③ Small shelf x 1
- ④ Medium shelf x 1
- ⑤ Large shelf x 1
- ⑥ Cabinet top x 1
- ⑦ Right side cabinet x 1
- ⑧ Left side cabinet x 1
- ⑨ Cabinet shelf x 1
- ⑩ Cabinet bottom x 1
- ⑪ Right door x 1
- ⑫ Left door x 1
- ⑬ Cabinet back x 1

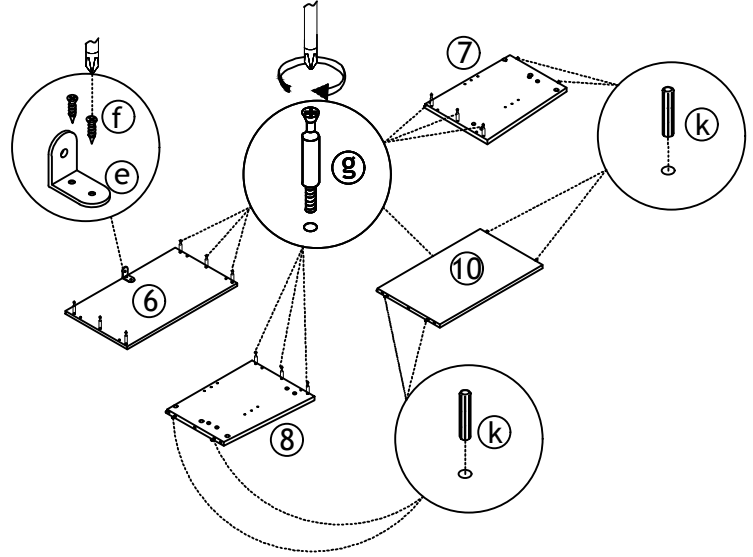


## Fittings Checklist

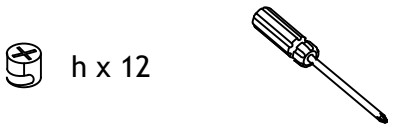
-  (a) Small Wooden Dowel x 10
-  (b) Allen Head Bolt x 20
-  (c) Allen Key X 1
-  (d) Anti-slip pad x 4
-  (e) Wall Bracket x 1
-  (f) Screw x42
-  (g) Cam Bolt x 12
-  (h) Cam x 12
-  (i) Hinge x 4
-  (j) Shelf Support x 4
-  (k) Long Wooden Dowel x 8



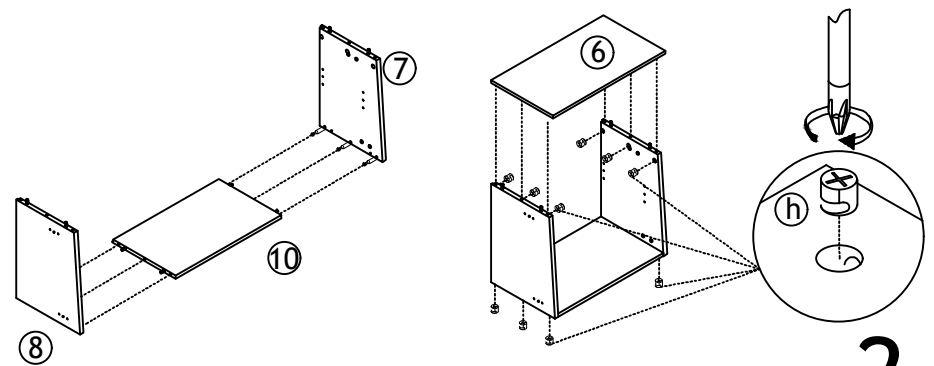
Fitting K can be secured by pushing into pre-drilled hole. If required use a hammer to tap gently into place.



1.



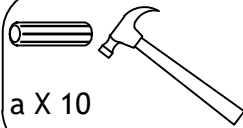
Slot parts 7,8 & 10 together first. Then position part 6 into place. Secure by inserting fitting H into place and turning in a clockwise direction.



2.

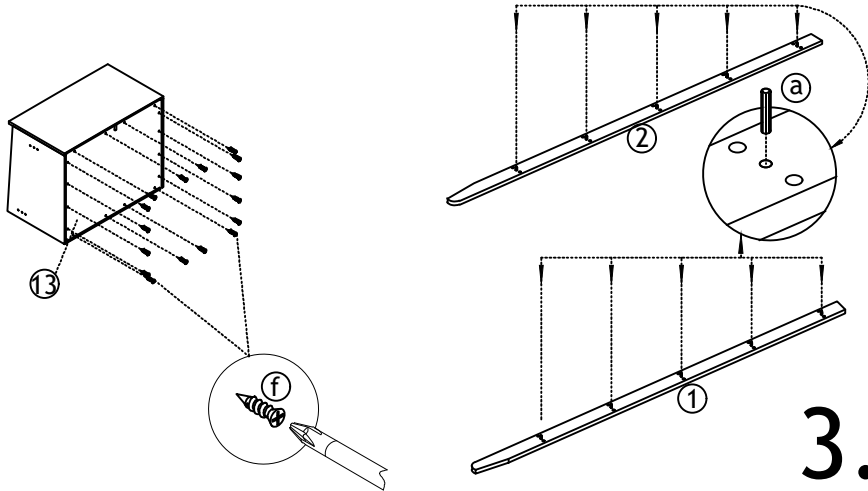


f X 16

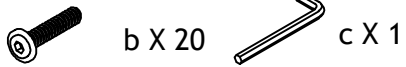


a X 10

Fitting A can be secured by pushing into pre-drilled hole. If required use a hammer to tap gently into place.



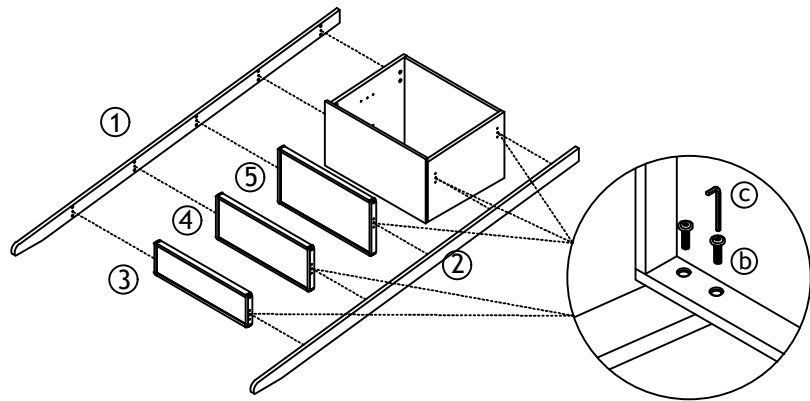
3.



b X 20

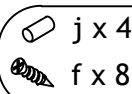
c X 1

To make this step of assembly easier, lay parts 3,4,&5 and the assembled cabinet unit on a flat surface before attaching parts 1 & 2.



Page 5

4.



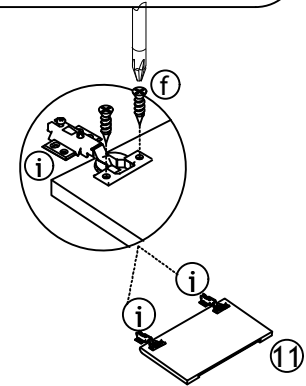
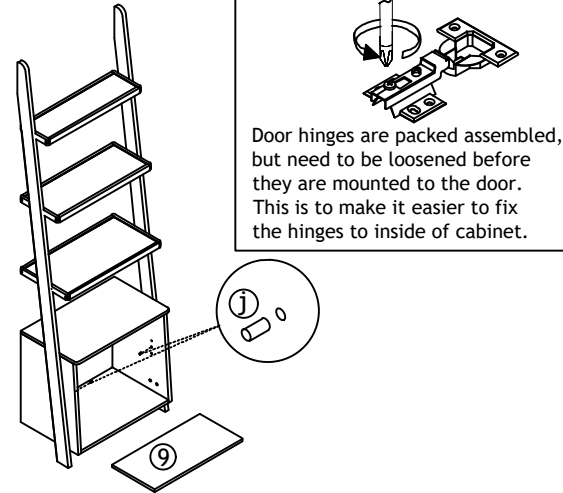
j x 4

f x 8

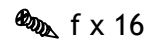


i x 4

Shelf support fitting j can be set at a choice of levels so that the shelf part 9 can be placed as required.



5.

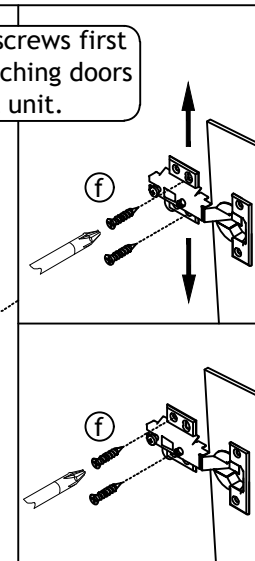
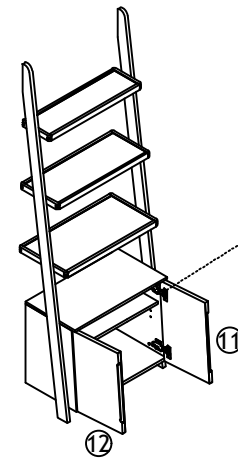


f x 16

Attach fitting i to parts 11 & 12 first. Then attach these parts to the main cabinet unit using the four holes on the hinge. To position the door at the correct level use the oval shaped screw holes first. Then tighten screws into the back round holes of the hinge. The doors can be adjusted using central screws in picture A & B.



Fix these screws first when attaching doors to cabinet unit.




The door can be adjusted right or left by this screw.

The door can be adjusted front or back by this screw.

Page 6

6.

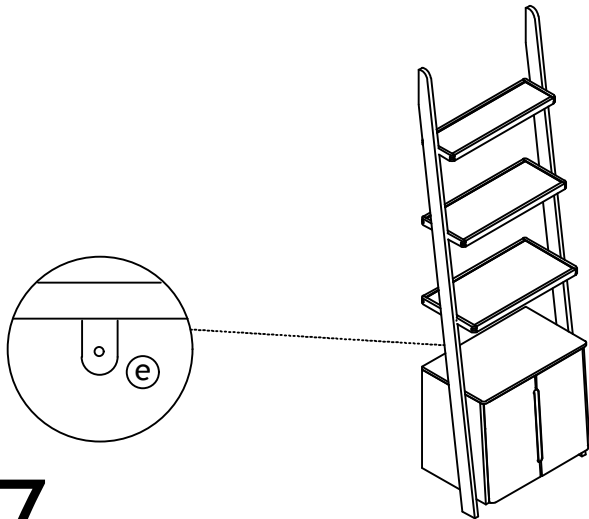
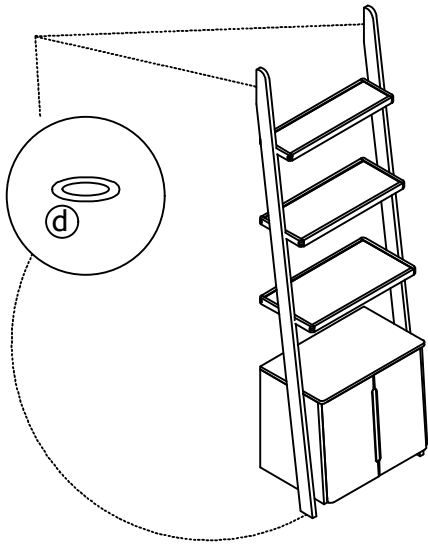
 d X 4



To ensure that the unit remains stable, either use the bracket part E supplied to fix it to the wall or apply the anti-slip pads to the ends of the rails as shown. Due to the size of this item we do recommend fixing it to a wall.

Fixings to attach the unit to wall are not included as different wall materials require different types of fixing. Contact your local specialised hardware store for advice on suitable fixing.

For safety reasons, we advise you to fix this item to the wall if young children or boisterous dogs are liable to bang into it. Never allow children to climb on furniture.



7.

### FINISH

Your Leaning cabinet is made from solid Oak and Oak veneer Timber may be selected to ensure that visible surfaces are of a higher grade than unseen surfaces.

### CARE

To clean your cabinet, wipe with a damp cloth followed by a dry cloth.

### IMPORTANT

To ensure maximum use from this product, we advise that you check and tighten all bolts and screws on a regular basis to avoid damage and strain to parts.

### GUARANTEE

This instruction leaflet forms part of your guarantee. Please retain it. The ROPO number along with your invoice number will need to be quoted in all correspondence with Futon Company. Thank you for choosing to purchase this