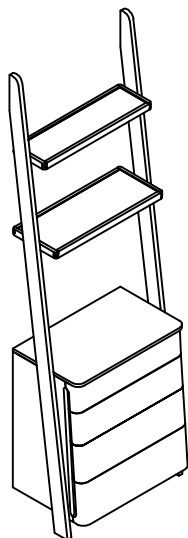


# Assembly Instructions



## Bedroom Storage - Oak Leaning Chest of Drawers(V4) Curved Drawers

ROPO no:



**PLEASE READ THESE INSTRUCTIONS VERY CAREFULLY BEFORE YOU BEGIN, TO ENSURE THAT YOUR FUTON COMPANY PRODUCT WILL GIVE YOU MANY YEARS OF SATISFACTION**

Thank you for buying a Futon Company product.

We are constantly striving to improve everything we do, but occasionally mistakes do occur. In the unlikely event that you find any part missing, please call your nearest Futon Company store and we will arrange for the despatch of an immediate replacement. Please keep all packaging until you have checked every part and assembly of your Futon Company product is complete.

Version number: 2    Product code: ST LN OAK COD V4    Date: 21/02/24

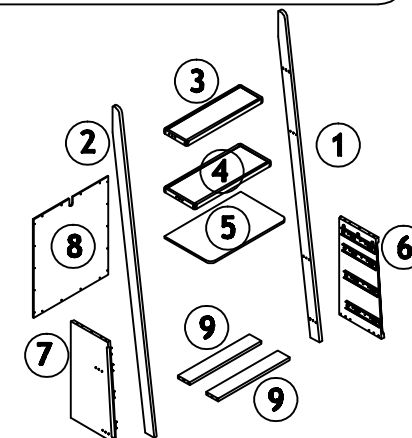
*experts in small space living*



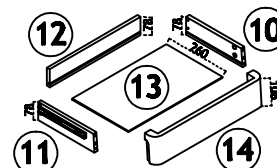
## Parts Checklist

Please count and check every component very carefully before you begin

- ① Right Rail x 1
- ② Left Rail x 1
- ③ Shelf A x 1 (152mm)
- ④ Shelf B x (208mm)
- ⑤ Drawer Unit Top x 1
- ⑥ Side Panel R x 1
- ⑦ Side Panel L x 1
- ⑧ Back Panel x 1
- ⑨ Base Rail x 2

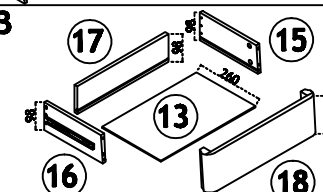


### Drawer A



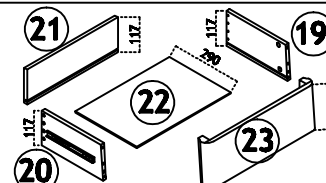
- ⑩ Right Side of Drawer A (78mm) x 1
- ⑪ Left Side of Drawer A (78mm) x 1
- ⑫ Back of Drawer A (78mm) x 1
- ⑬ Bottom of Drawer A (260mm) x 1
- ⑭ Front of Drawer A (108mm) x 1

### Drawer B



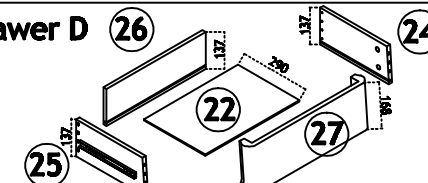
- ⑮ Right Side of Drawer B (98mm) x 1
- ⑯ Left Side of Drawer B (98mm) x 1
- ⑰ Back of Drawer B (98mm) x 1
- ⑬ Bottom of Drawer B (260mm) x 1
- ⑱ Front of Drawer B (127mm) x 1

### Drawer C



- ⑲ Right Side of Drawer C (117mm) x 1
- ⑳ Left Side of Drawer C (117mm) x 1
- ㉑ Back of Drawer C (117mm) x 1
- ㉒ Bottom of Drawer C (290mm) x 1
- ㉓ Front of Drawer C (147mm) x 1

### Drawer D

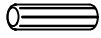


- ㉔ Right Side of Drawer D (137mm) x 1
- ㉕ Left Side of Drawer D (137mm) x 1
- ㉖ Back of Drawer D (137mm) x 1
- ㉒ Bottom of Drawer D (290mm) x 1
- ㉗ Front of Drawer D (168mm) x 1



# Fittings Checklist

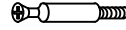
Please count and check every component very carefully before you begin



(a) Wooden Dowel x 16 (6 x 30)



(b) Allen Head Bolt x 16



(c) Cam Bolt x 26



(d) Cam x 26



(e) Allen Key X 1



(f) Wall Bracket x 1



(g) Anti-slip pad x 4



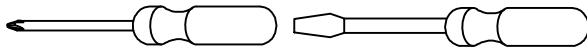
(h) Screw x 50 (3 x 12 mm)



(i) Screw x 22 (4 x 35 mm)



(j) Wooden Dowel x 8 (6 x 20)

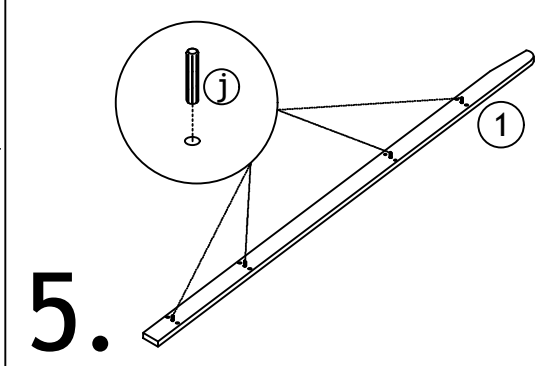
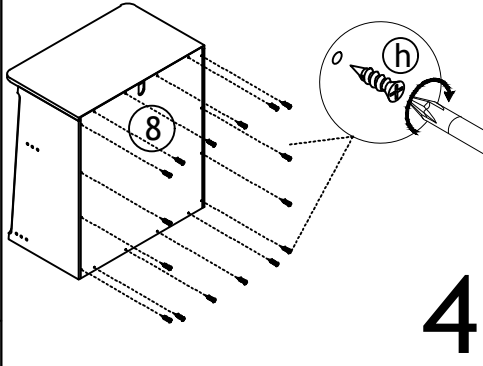
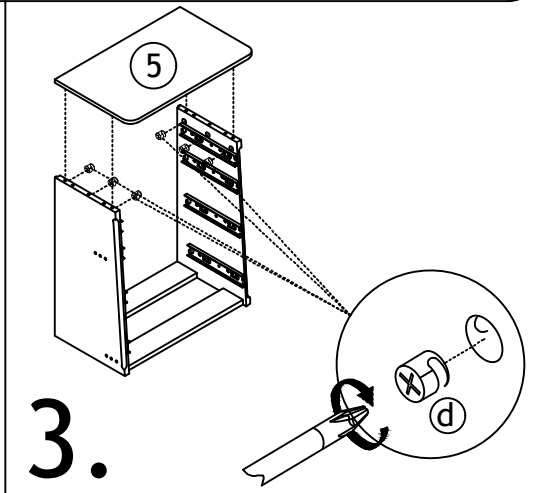
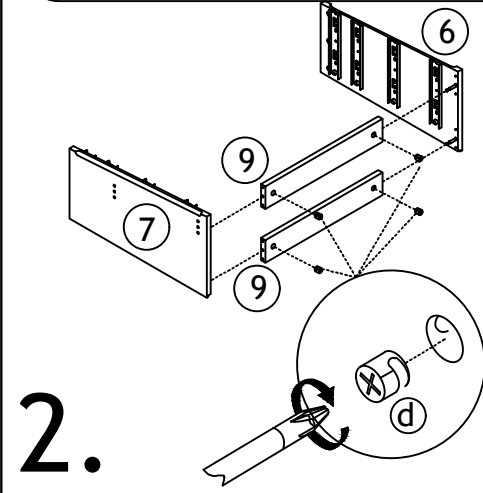


\* Cross head and flat head Screwdriver also required for assembly



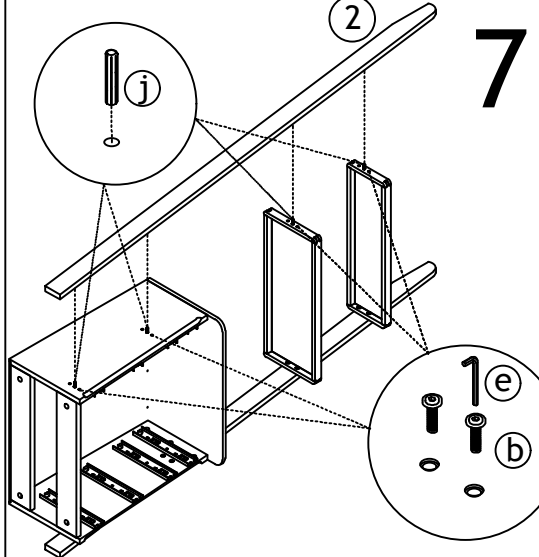
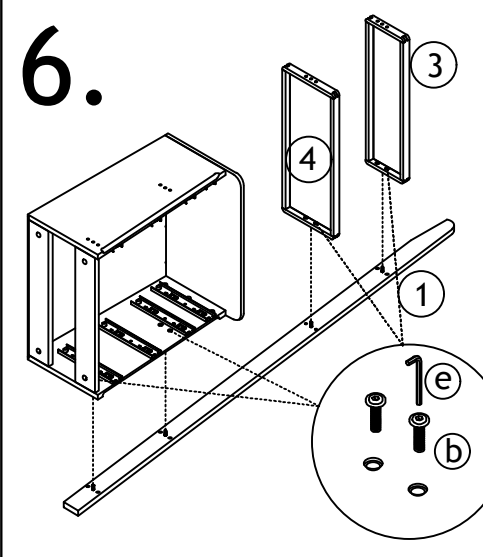
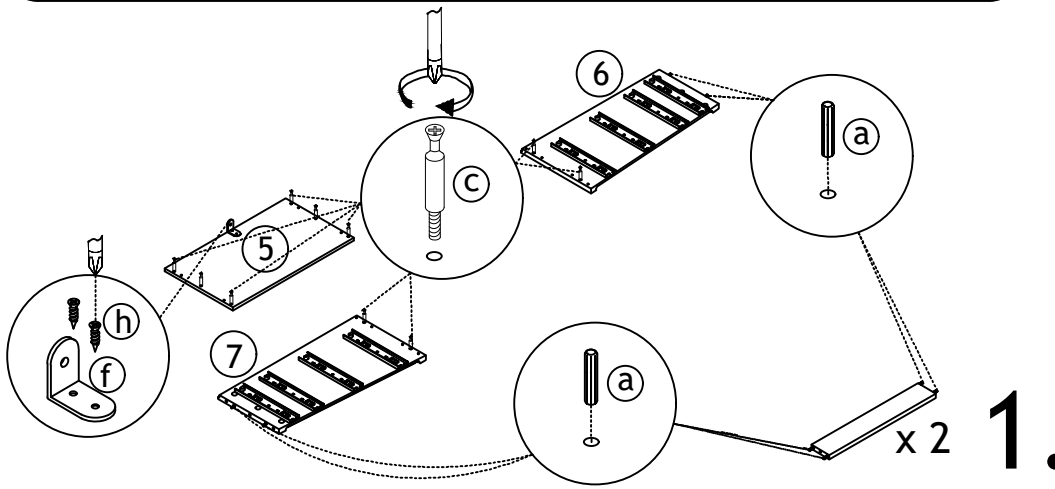
# How To Assemble Your Chest

Please follow these instructions carefully



# How To Assemble Your Chest

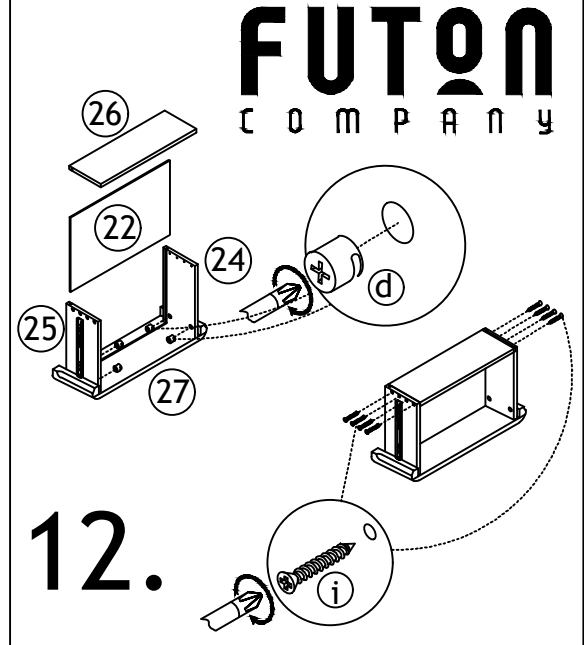
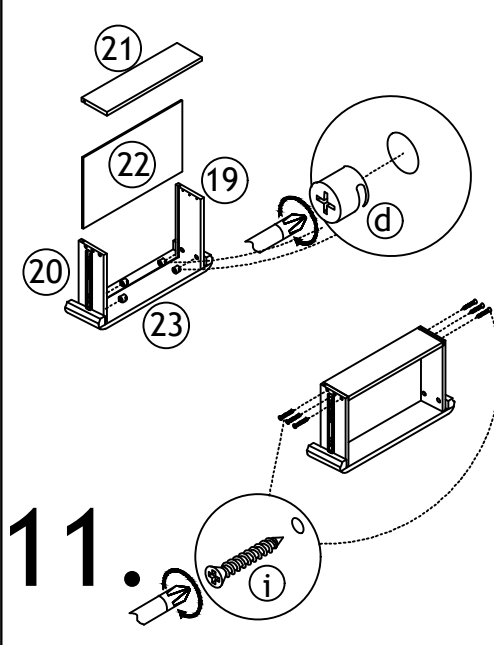
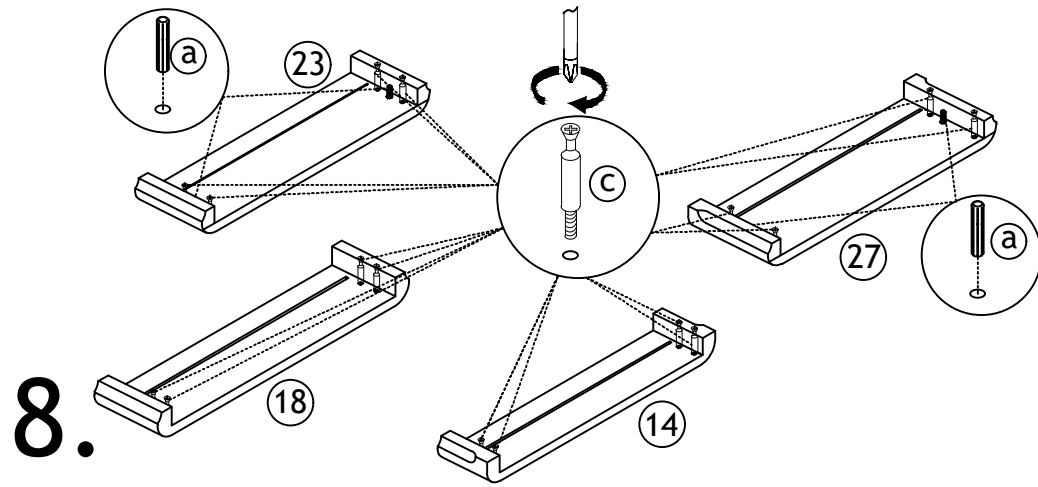
Please follow these instructions carefully





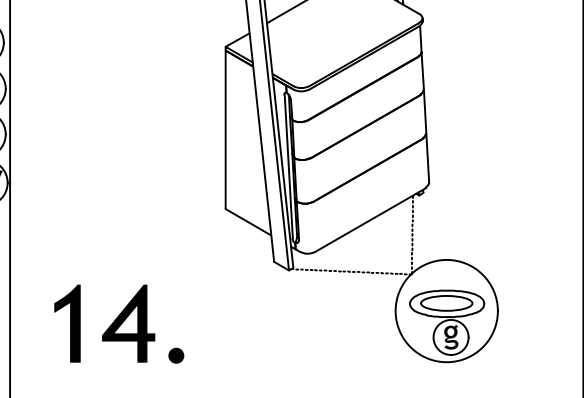
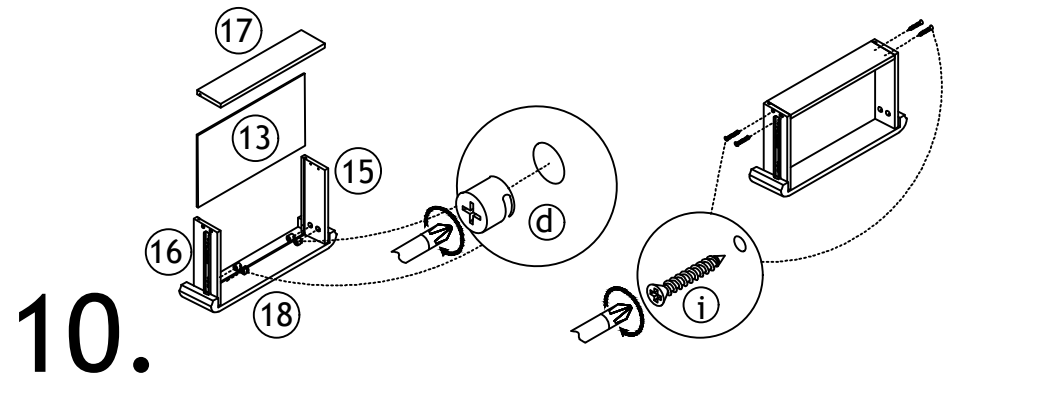
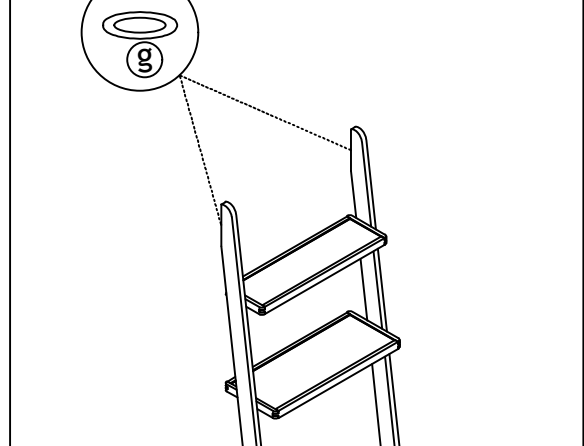
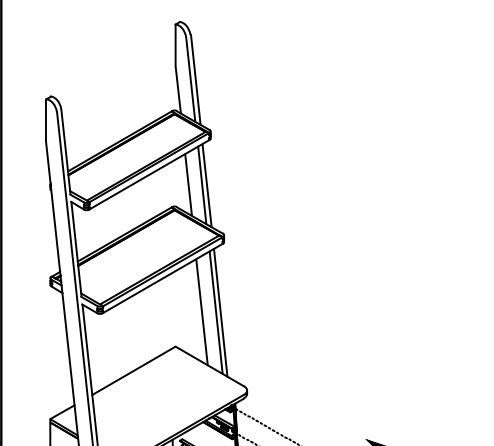
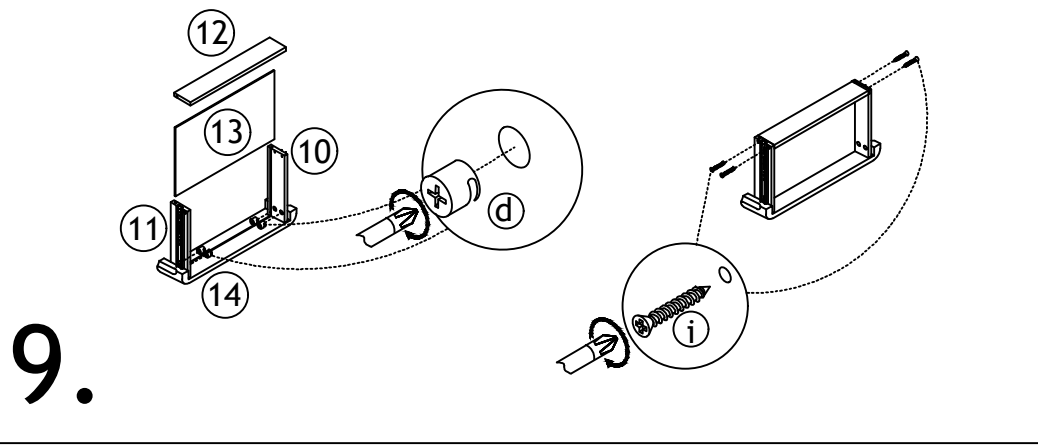
# How To Assemble Your Chest

Please follow these instructions carefully



# FUTON

COMPANY

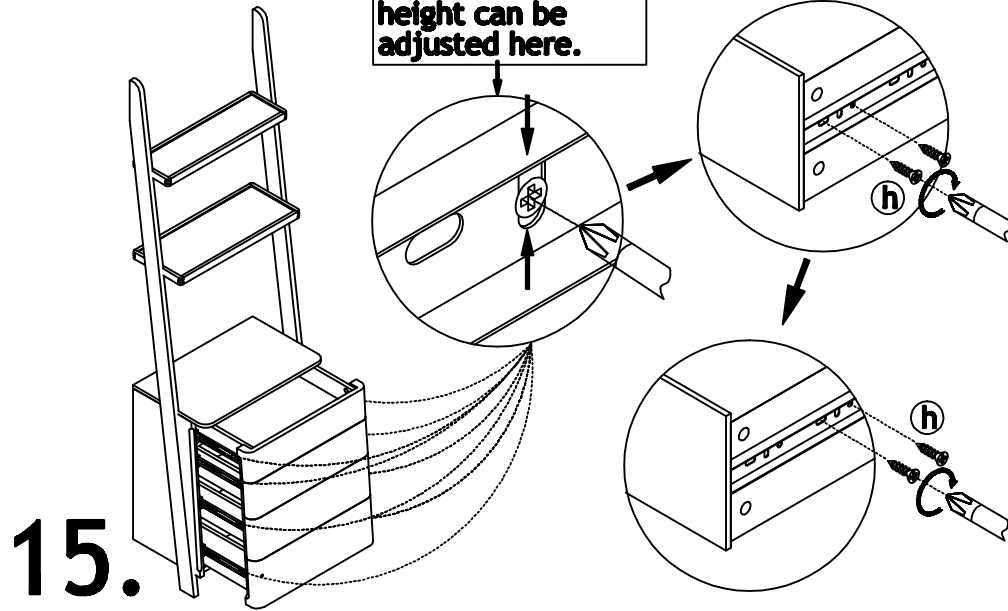




## How To Assemble Your Chest

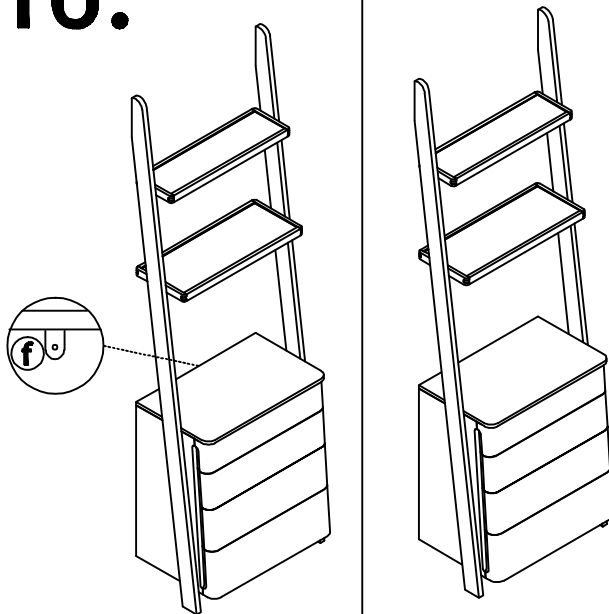
Please follow these instructions carefully

The drawer runner height can be adjusted here.



To ensure that the unit remains stable, either use fixing hole to fix it to the wall or apply the Anti-slip pads to the ends of the rails. Fixings to attach Chest to wall are not included as different wall materials require different types of fixing. Contact your local specialised hardware store for advice on suitable fixing. For safety reasons, we advise you to fix this item to the wall if young children or boisterous dogs are liable to bang into it. Never allow children to climb on furniture.

16.



# FUTON

C O M P A N Y



## How To Use

Please read carefully

### FINISH

Your Chest of Drawers is made from solid Oak and Oak Veneer. Timber may be selected to ensure that visible surfaces are of a higher grade than unseen surfaces.

### CARE

To clean your Chest of drawers, wipe with a damp cloth followed by a dry cloth.

### IMPORTANT

To ensure maximum use from this product, we advise that you check and tighten all bolts and screws on a regular basis to avoid damage and strain to parts.

### GUARANTEE

This instruction leaflet forms part of your guarantee. Please retain it. The ROPO number along with your invoice number will need to be quoted in all correspondence with Futon Company. Thank you for choosing to purchase this

Futon Company product.