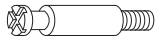


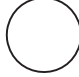
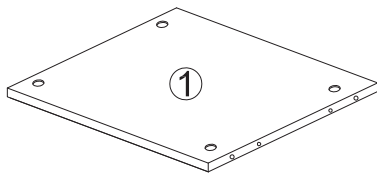


ASSEMBLY INSTRUCTIONS

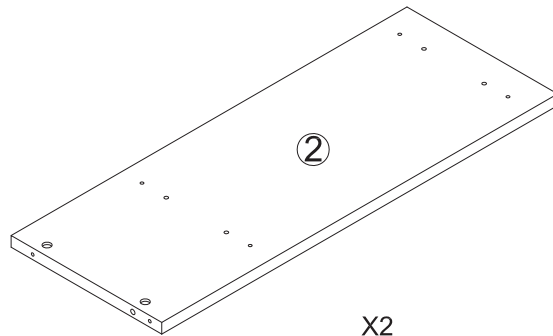
FUTON
C O M P A N Y

T1 HALE NRW

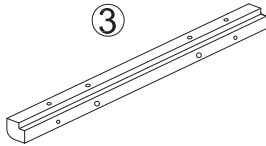
A	B	C	D
			
16 PIECES	16 PIECES	16 PIECES	4 PIECES



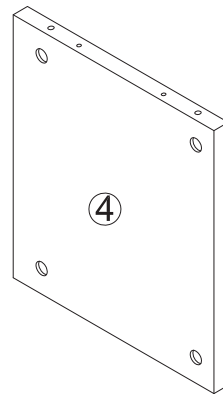
X1



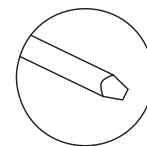
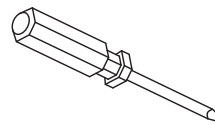
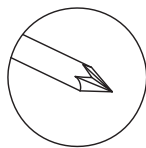
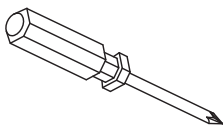
X2



X2

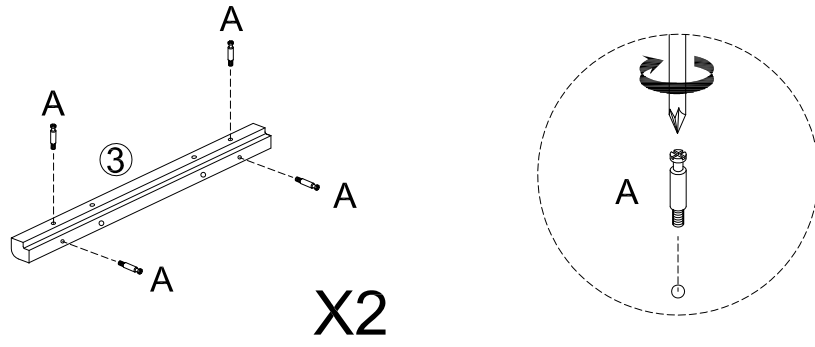


X2

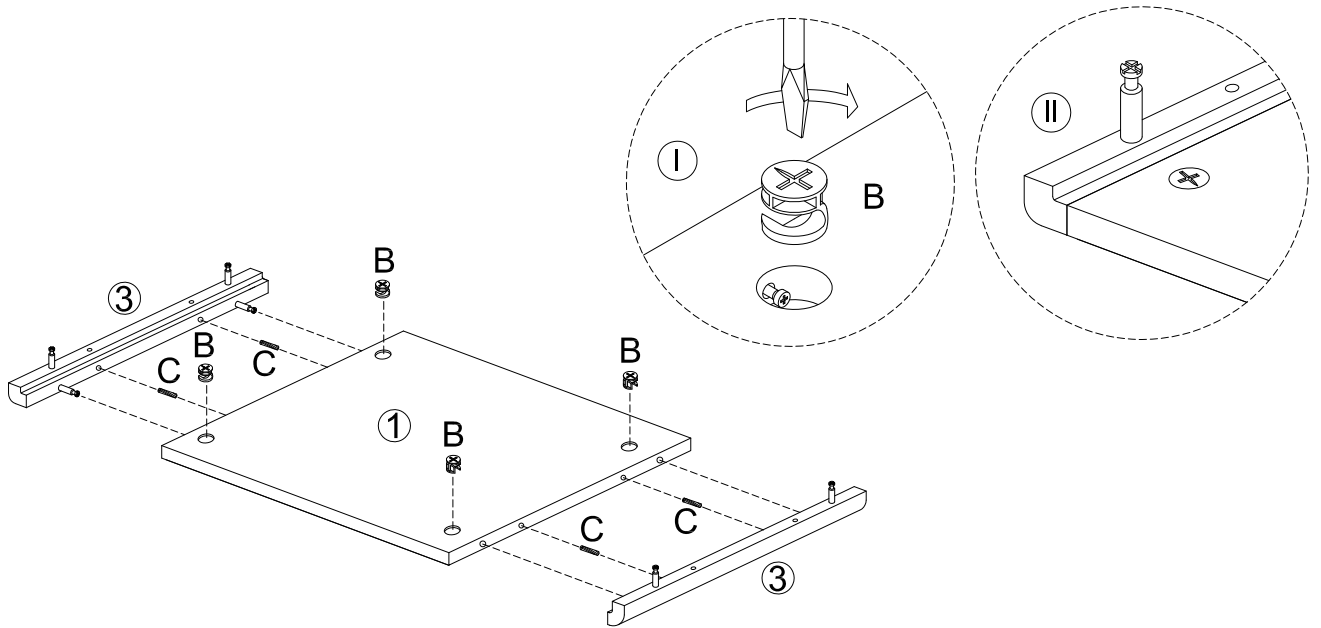


Allow 20 minutes to assemble this item

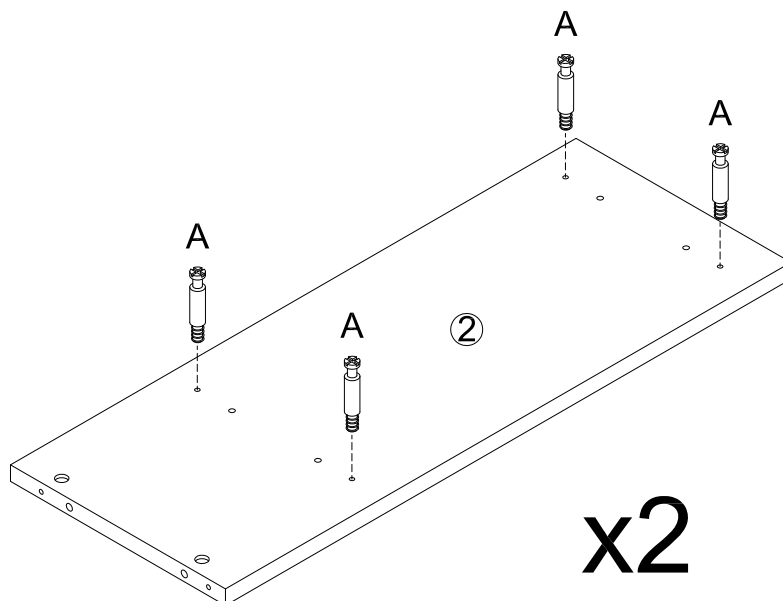
1.



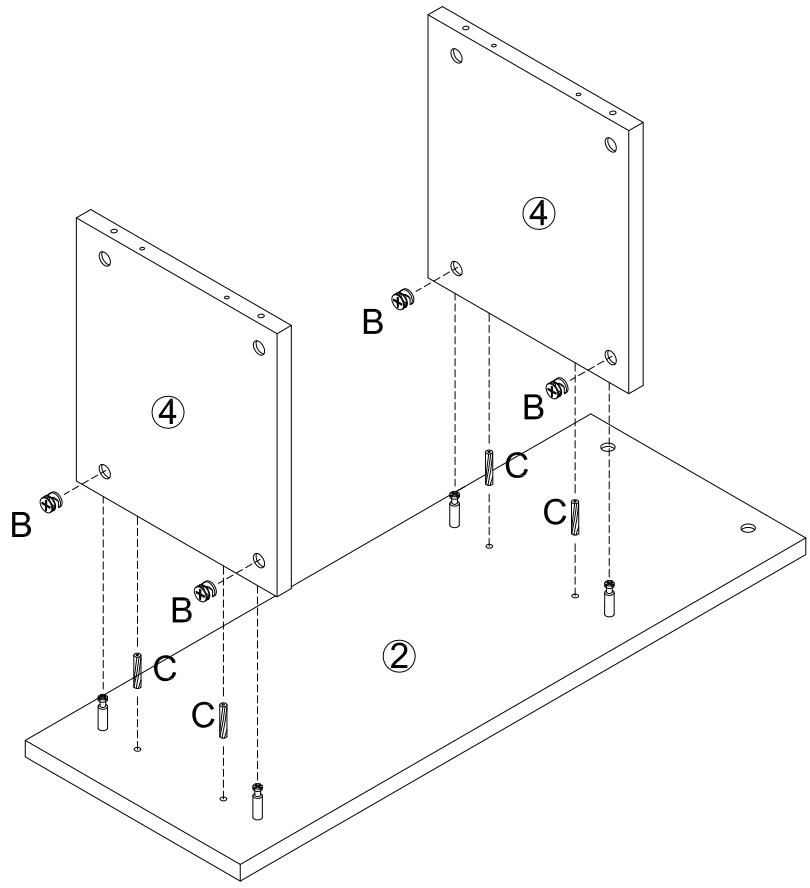
2.



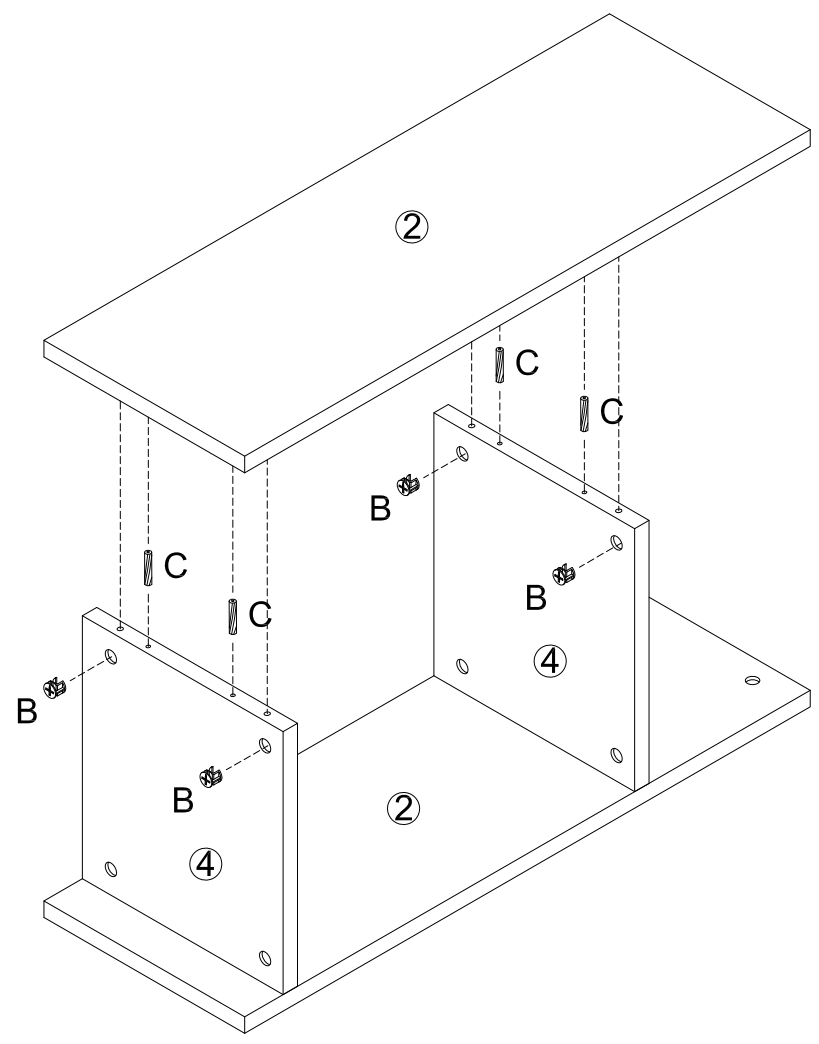
3.



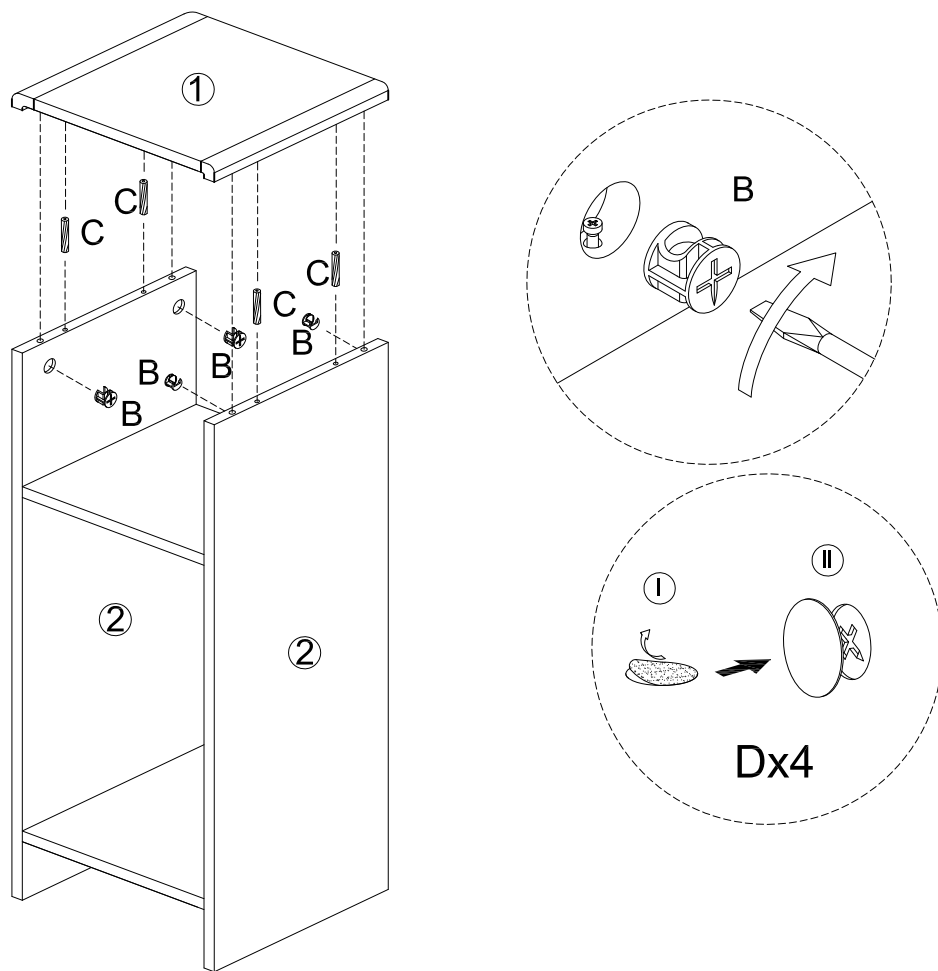
4.



5.



6.



7.

