

Oslo Dining Table



Please read these instructions very carefully before you begin to ensure that your Futon Company Oslo Dining Table will give you many years of satisfaction.

Thank you for buying a Futon Company product.

We are constantly striving to improve everything we do, but occasionally mistakes do occur. In the unlikely event that you find any part missing, please call your nearest Futon Company store and we will arrange for the despatch of an immediate replacement. Please keep all packaging until you have checked every part and assembly of your Futon Company product is complete.

Version: 1

Product Code: T4 OSLO

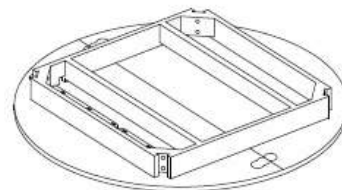
PO 11448

experts in small space living



Part Checklist

Please count and check every component very carefully before you begin



1. Table Top x 1



2. Table Leg x 4



Fittings Checklist

Please count and check every component very carefully before you begin

A



Allen Key x 1

B



Bolt x 8

C



Spring Washer x 8

D



Flat Washer x 8

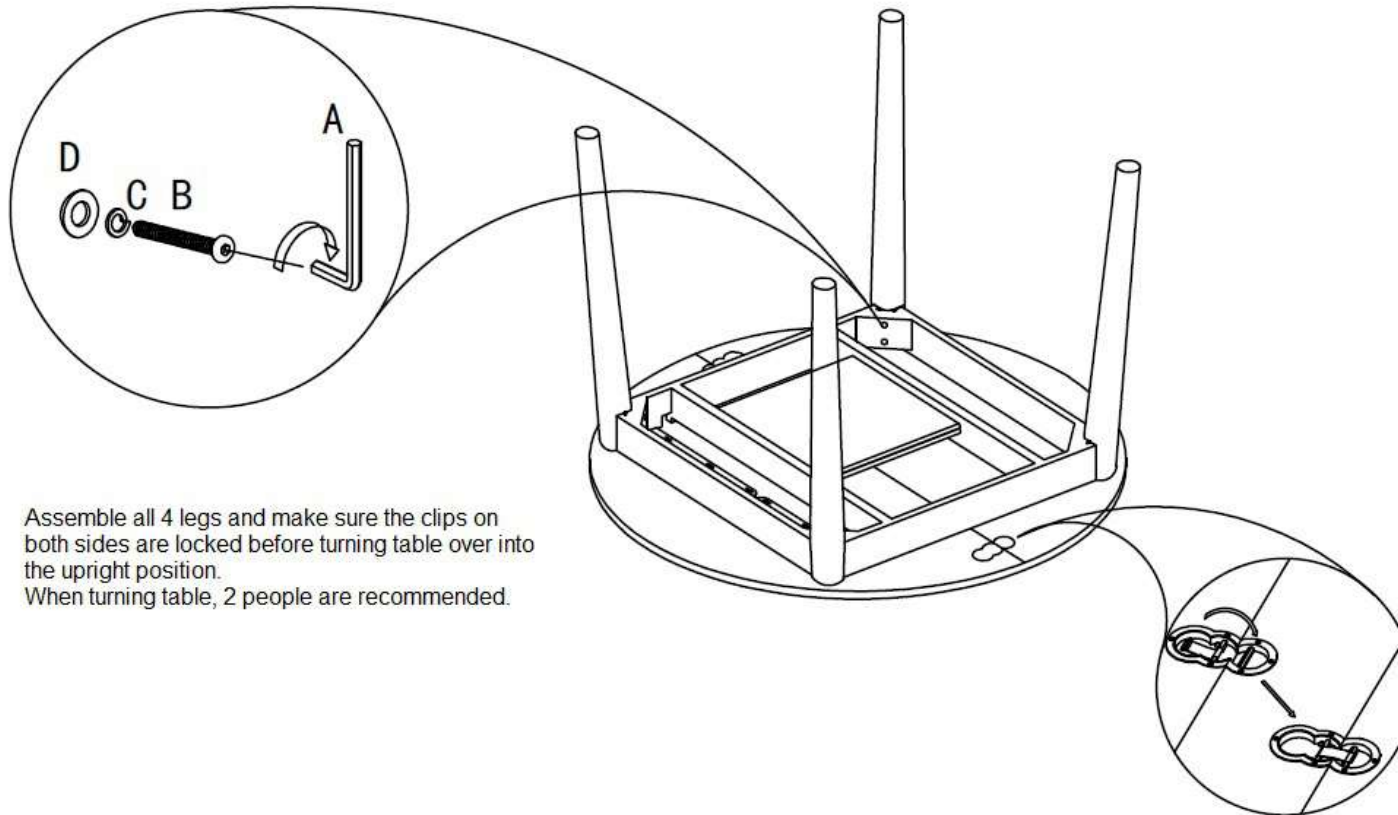


How to assemble Oslo Dining Table

Please follow these instructions carefully

Step 1 : Lay the table top face down on a clean, flat, soft surface to prevent scratching the top.

Step 2 :



Assemble all 4 legs and make sure the clips on both sides are locked before turning table over into the upright position.
When turning table, 2 people are recommended.



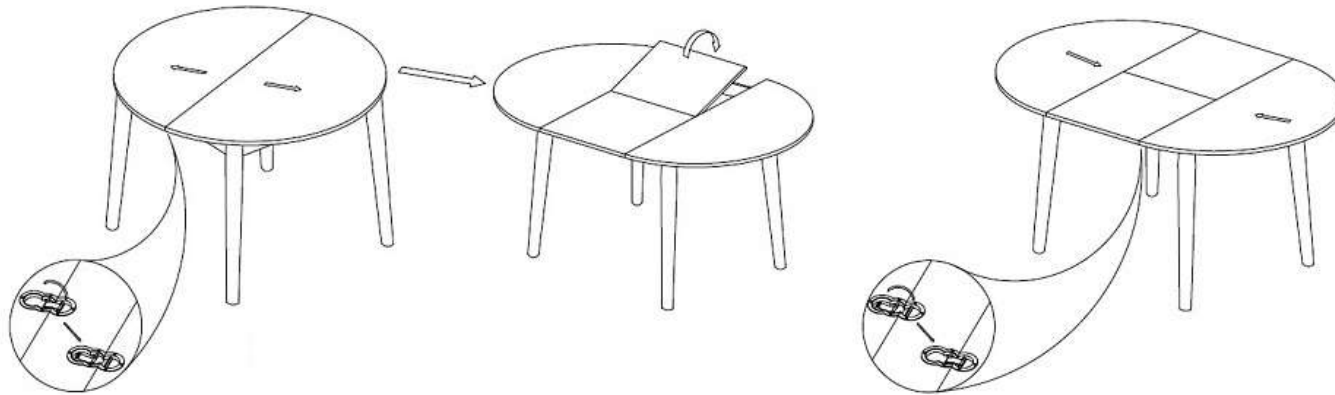
How to assemble Oslo Dining Table

Please follow these instructions carefully

FUTON

C O M P A N Y

Step 3 :



To open table, unlock clips, then from one end pull the tabletop towards you so that it slides open to expose the middle section. Carefully lift the middle section up and rotate it over unfolding the middle section at the same time. Take care to support both sides of the middle section when unfolding. Then push table end back slightly to close the gap between the middle section and table ends. Lock the table with the clips before using your table.

Step 4 :



To close table unlock clips, then from one end pull the table end a little so there is a gap between the middle section and table ends. Then carefully using both hands to support middle section fold up and over so that middle section is stored away under middle of table. Push table end back towards the middle to close the open gap making the table back into a circle shape. Lock the table with the clips before using your table.

FINISH

Timber may be selected to ensure that the visible surfaces are of a higher grade than unseen surfaces. These unseen areas are not finished to the same standard as the visible surfaces.

CARE

To clean your Table, wipe with a damp cloth followed by a dry cloth.

IMPORTANT

To ensure maximum performance from this product, we advise that you check and tighten all bolts and screws on a regular basis to avoid damage and strain to parts.

Improper use, improper assembly and mishandling may lead to product damage.

DO NOT STAND ON THIS TABLE

GUARANTEE

This instruction leaflet forms part of your guarantee, please retain it. The PO number along with your invoice number will need to be quoted in all correspondence with Futon Company.

Thank you for choosing Futon Company.

