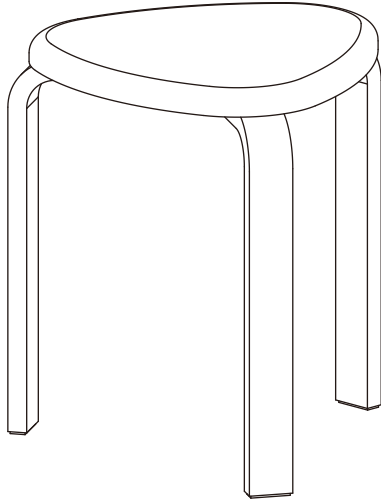
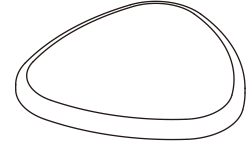


# STOOL TRYX



## parts checklist



Stool Top  
x 1

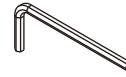


Leg  
x 3

## fittings checklist



Ax9



Bx1



Cx3

