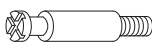





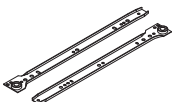
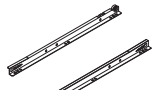
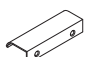

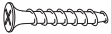


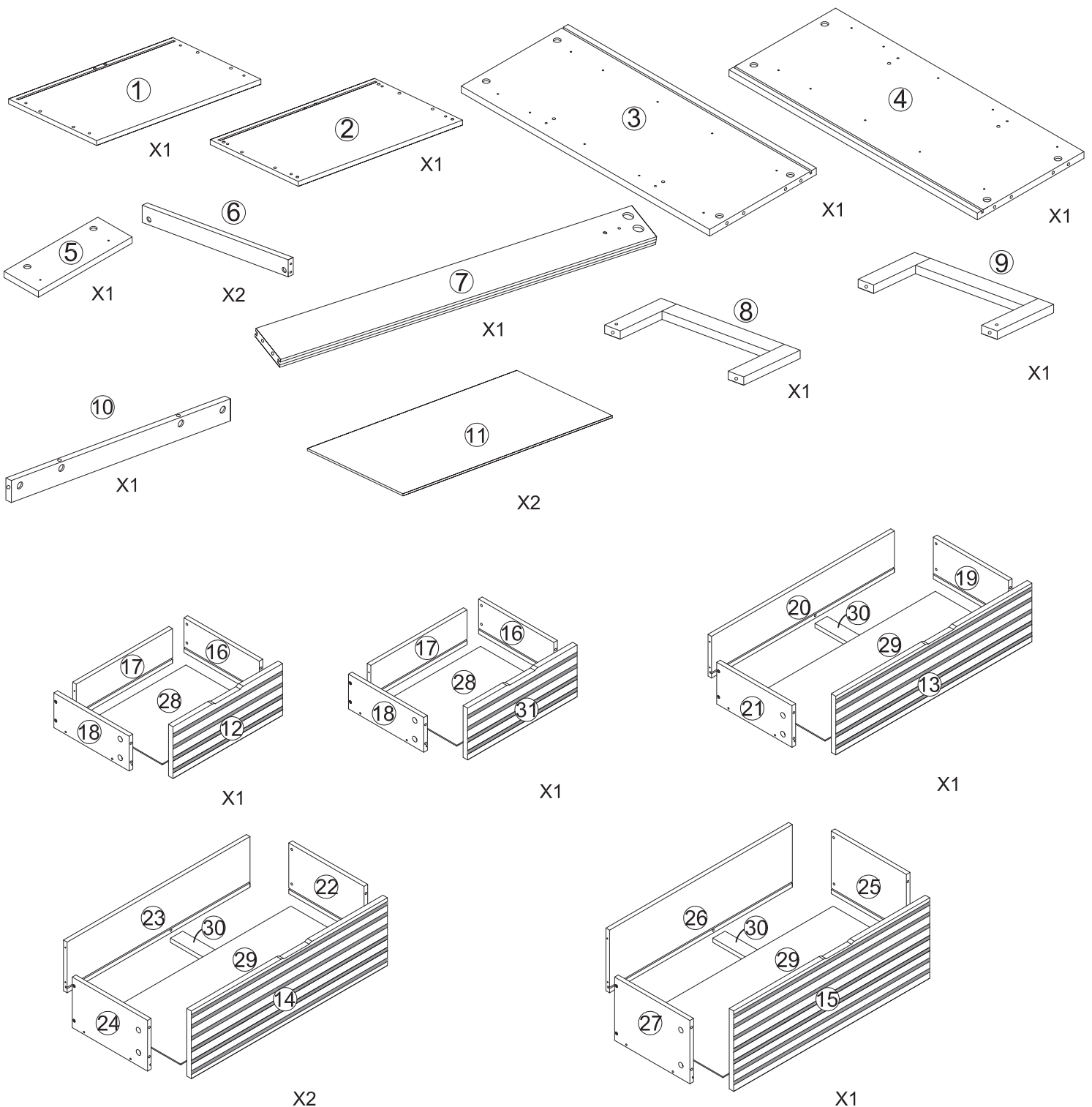


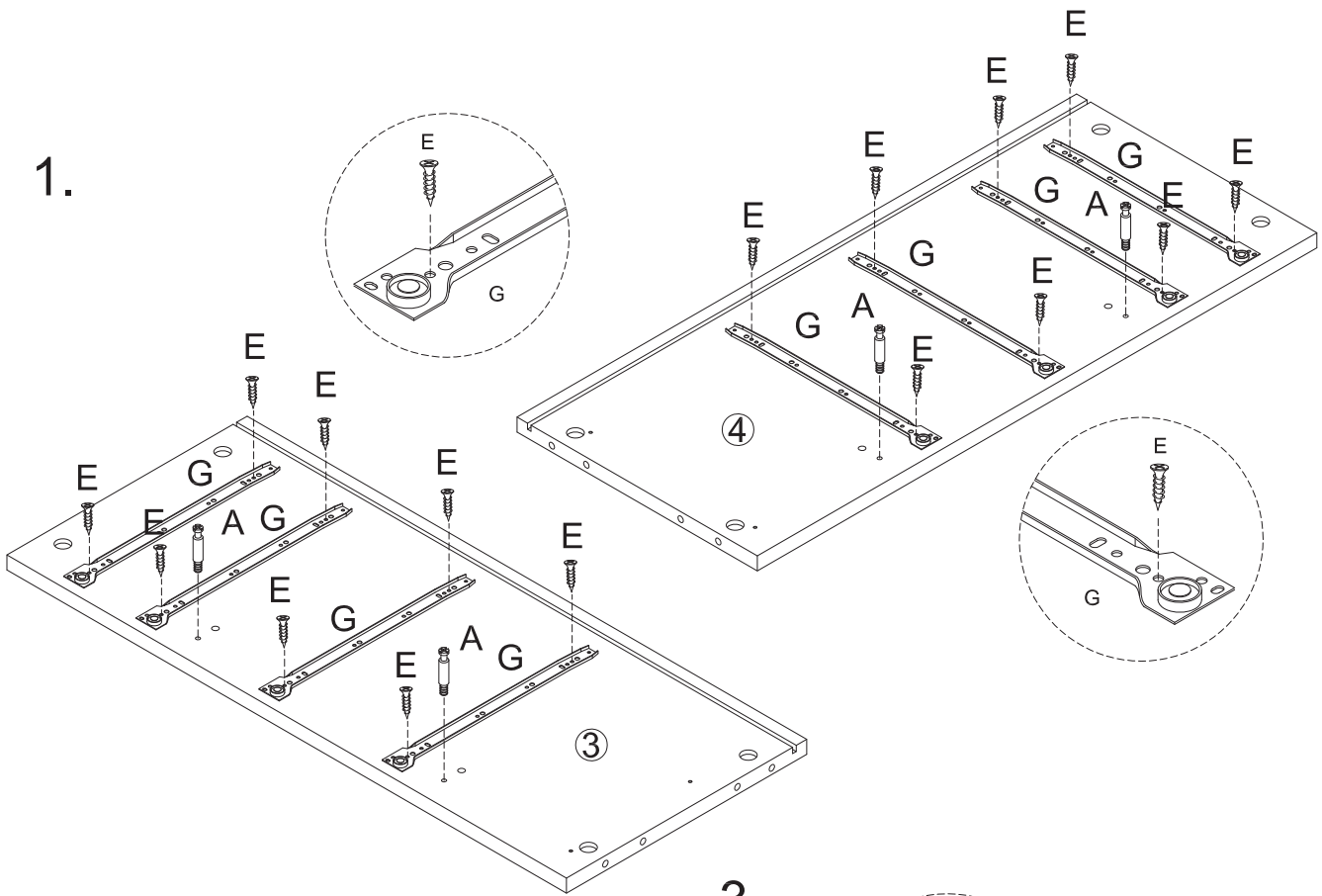
ASSEMBLY INSTRUCTIONS FUTON

COMPANY
ST COD CALX

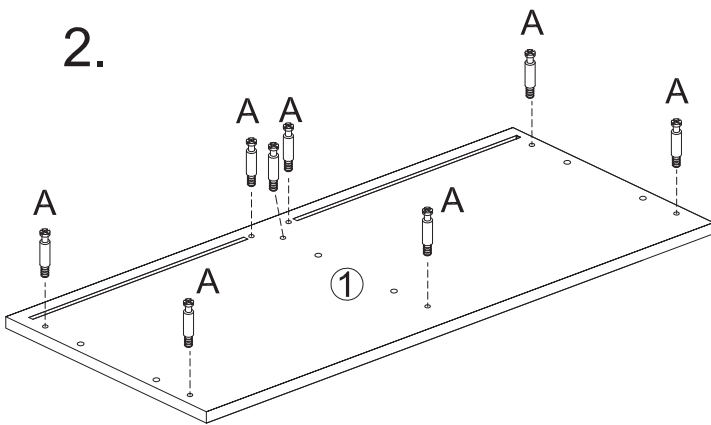
A	B	C	D	E	F	G
						
48 PIECES	48 PIECES	14 PIECES	3 PIECES	48 PIECES	28 PIECES	12 PIECES
H	I	J	K	L	M	
						
12 PIECES	6 PIECES	1 PIECE	4 PIECES	8 PIECES	12 PIECES	



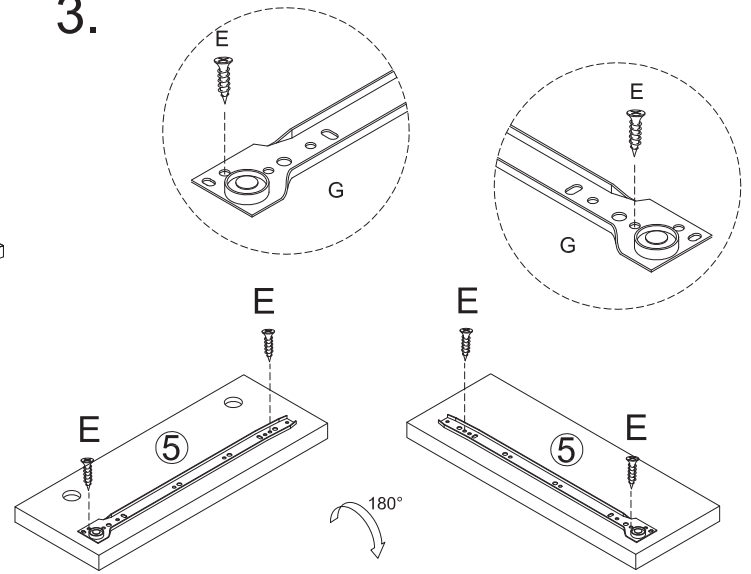
1.



2.

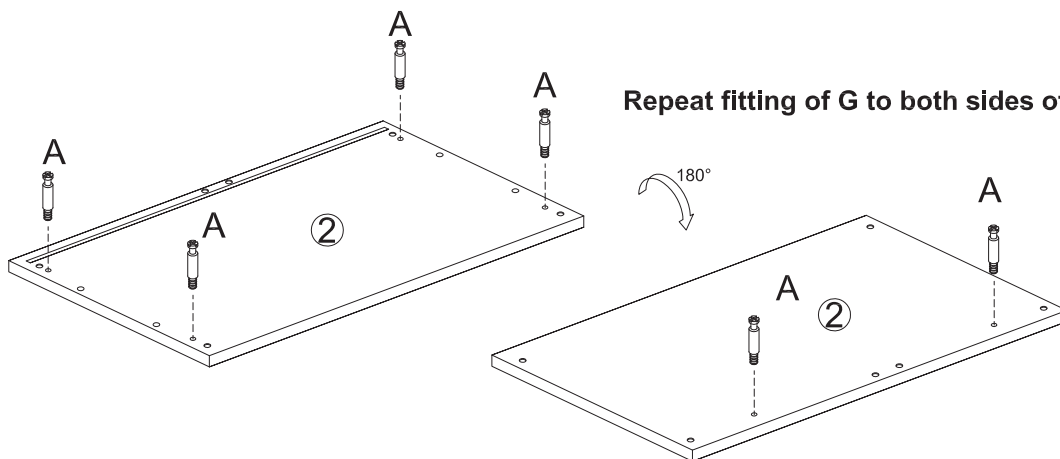


3.



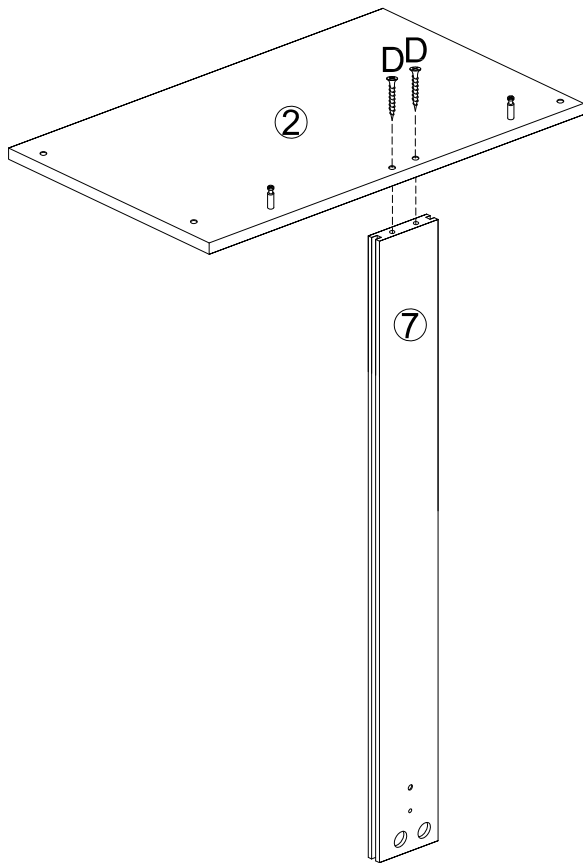
Repeat fitting of G to both sides of part 5.

4.

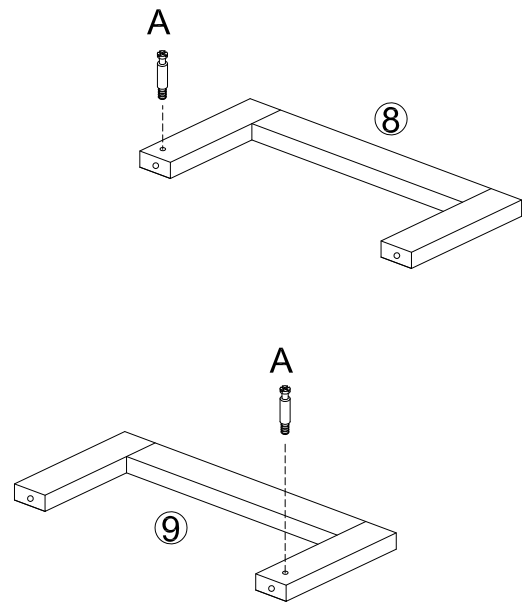


Repeat fitting of G to both sides of part 2.

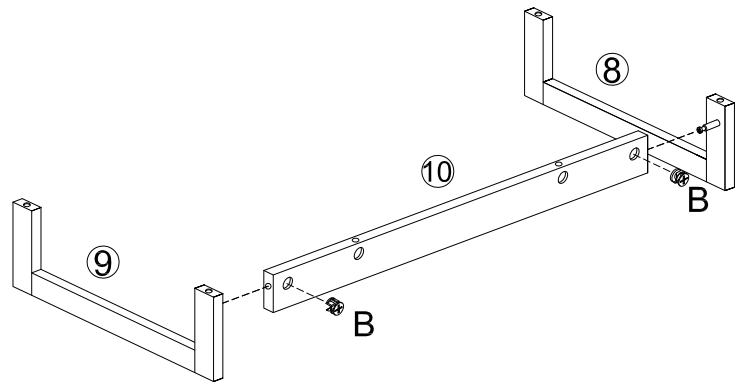
5.



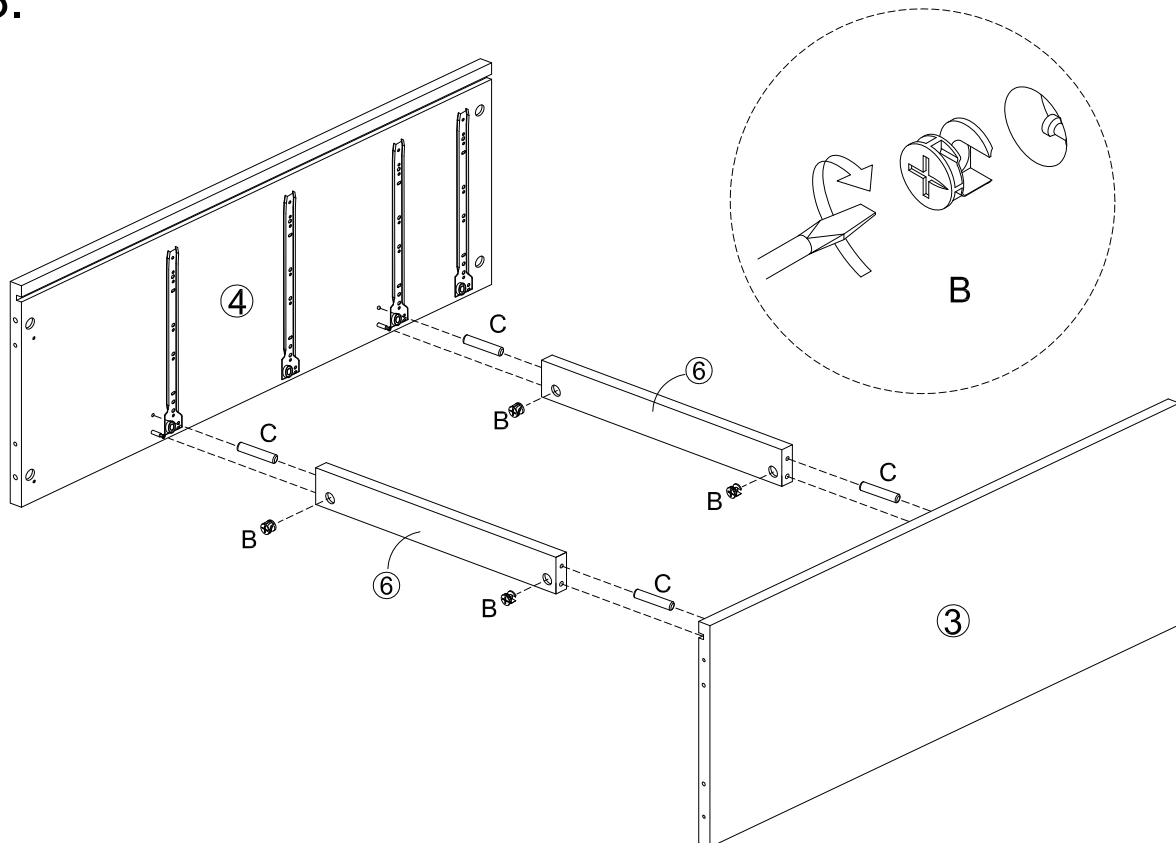
6.



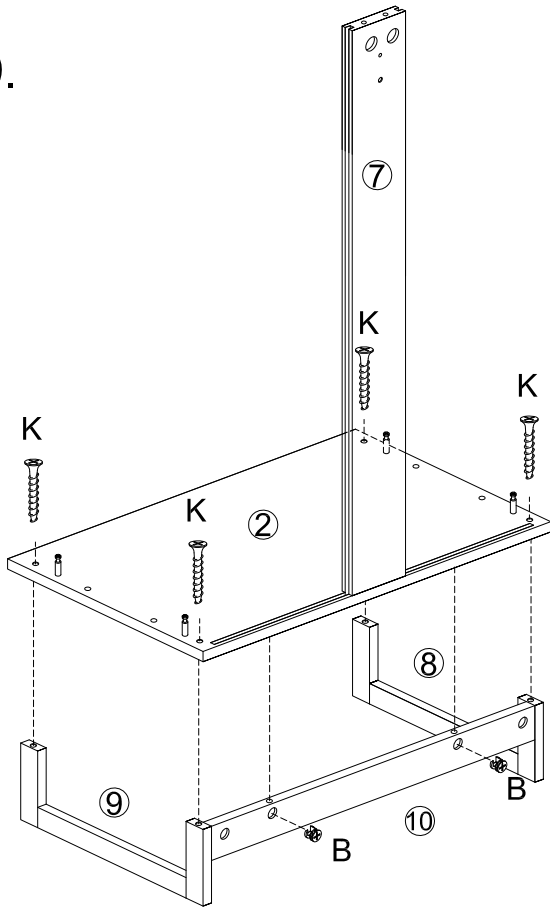
7.



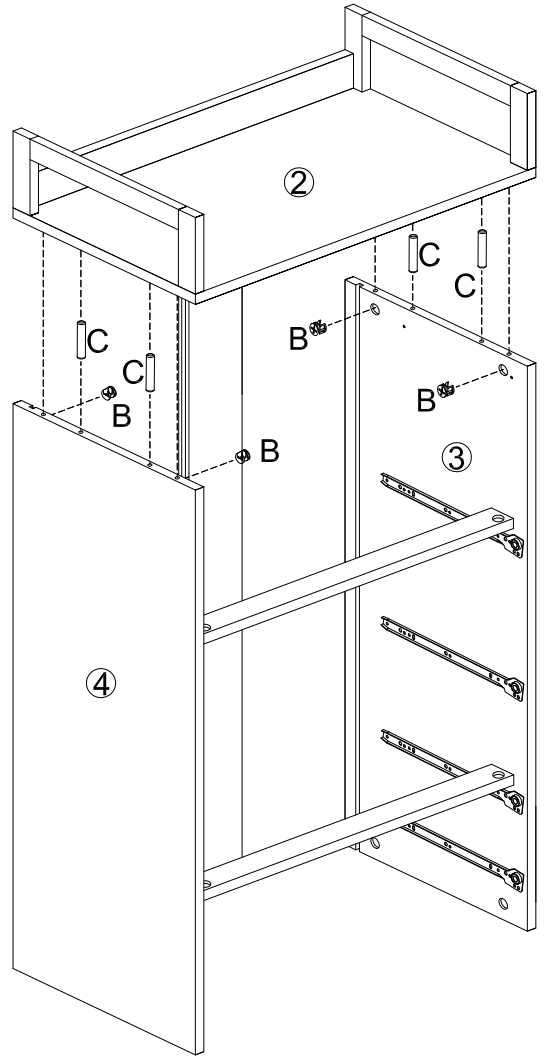
8.



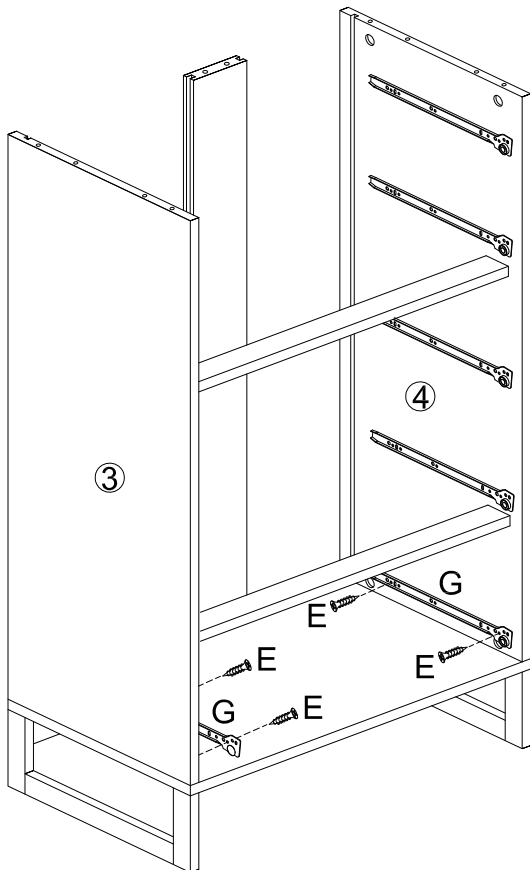
9.



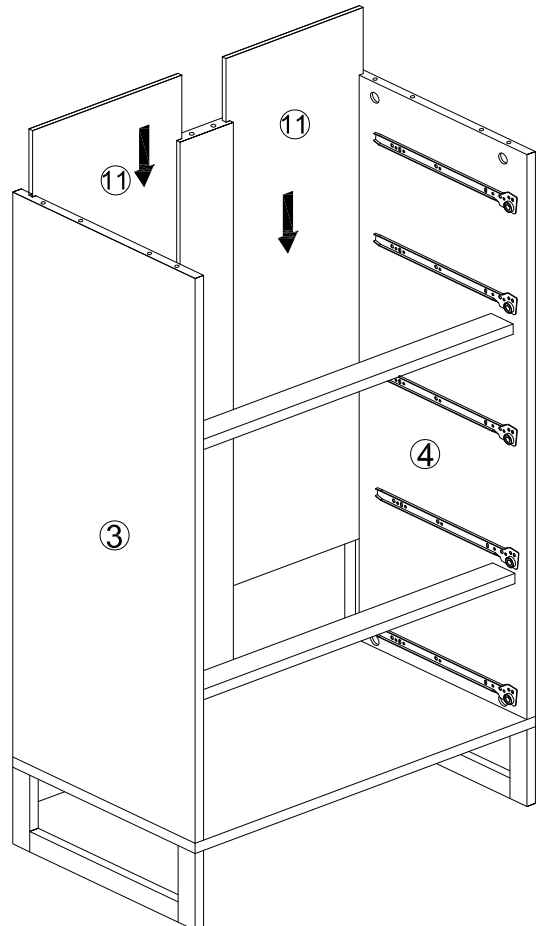
10.



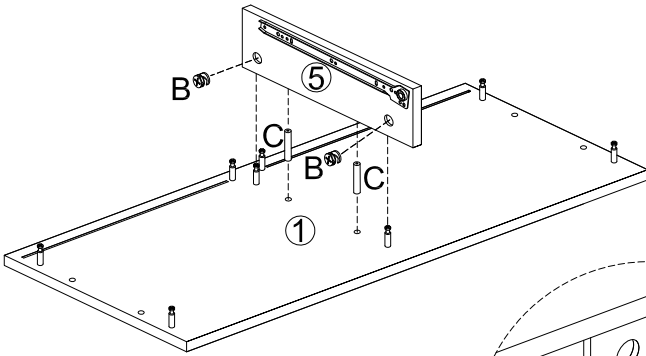
11.



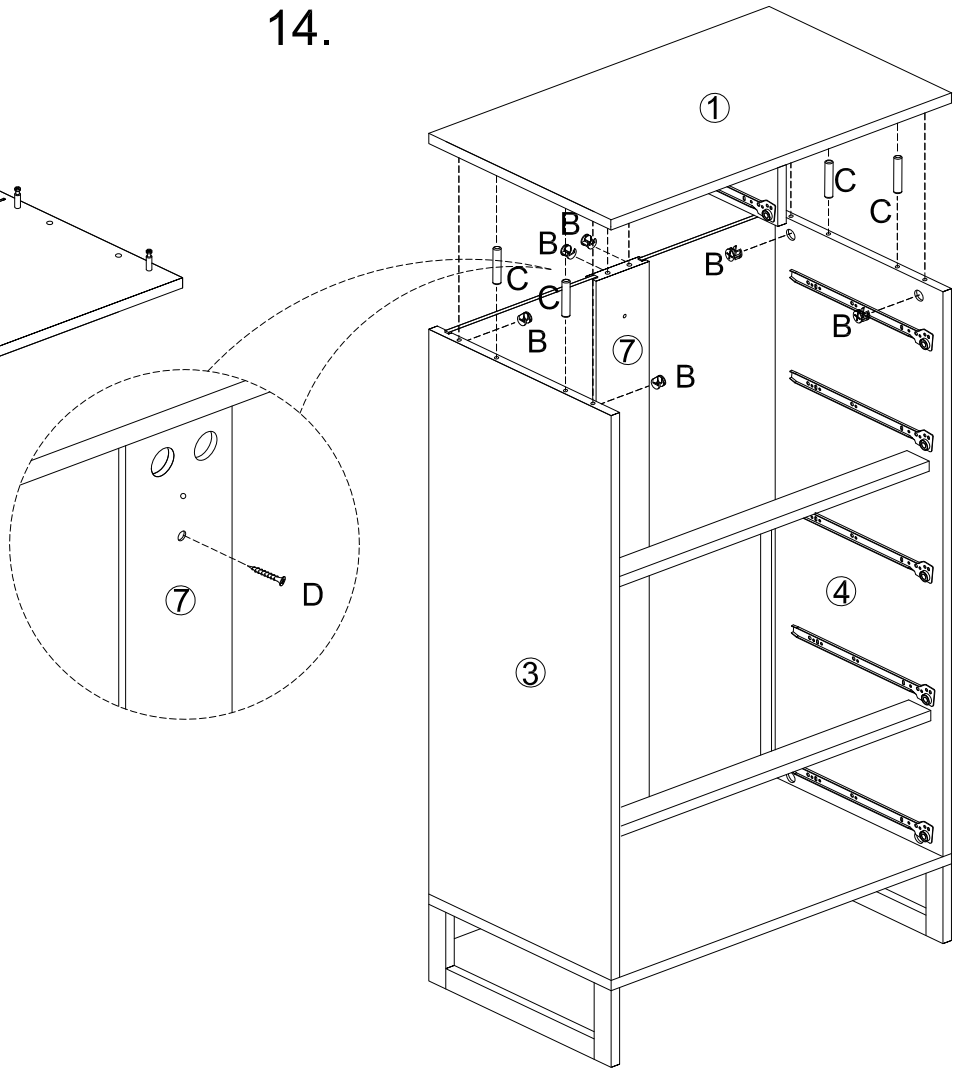
12.



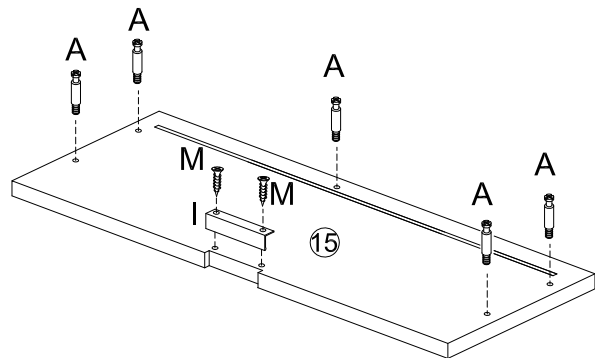
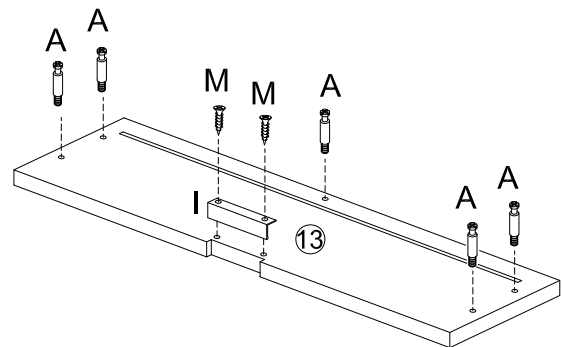
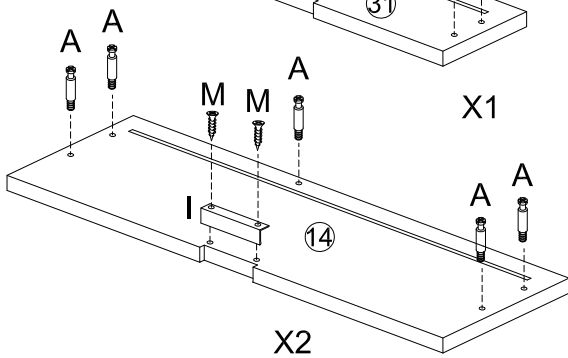
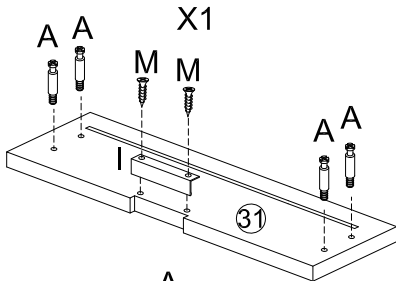
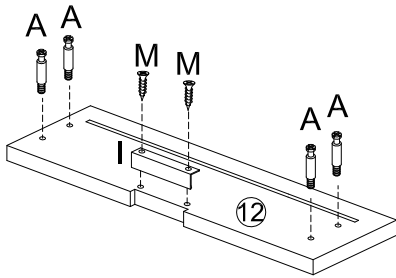
13.



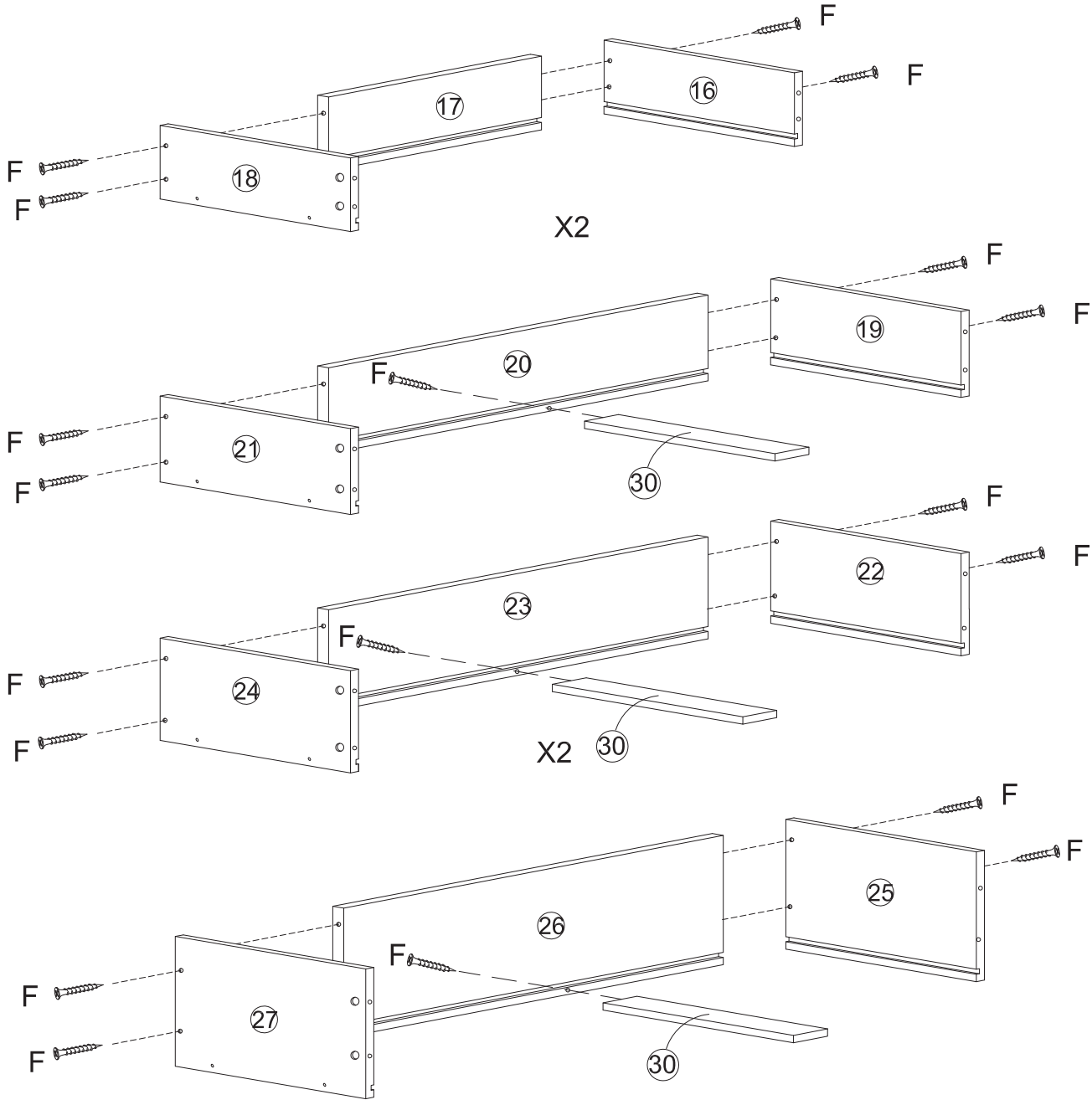
14.



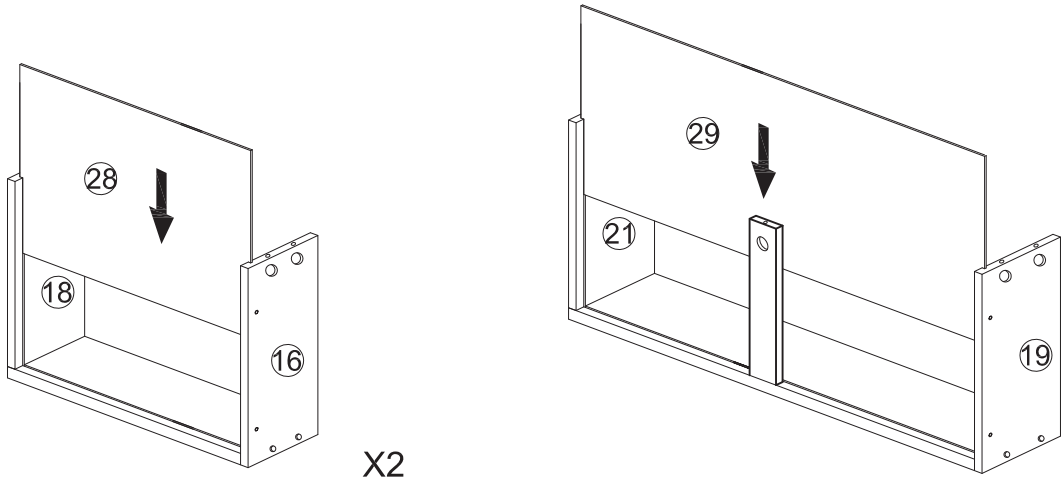
15.



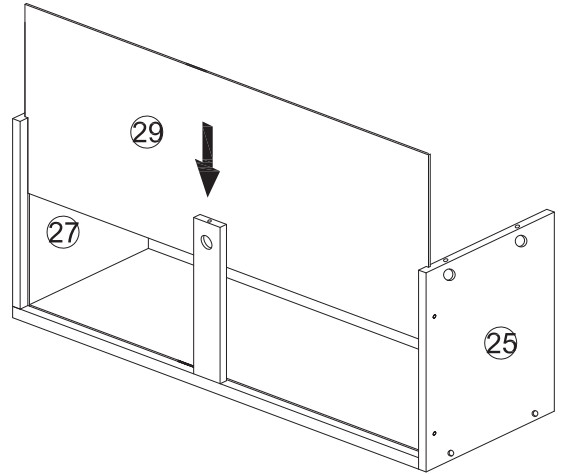
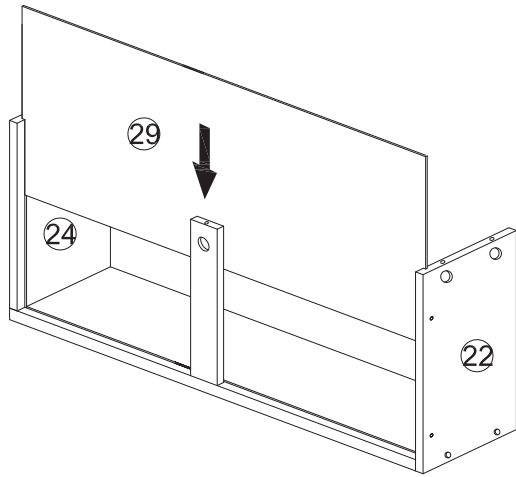
16.



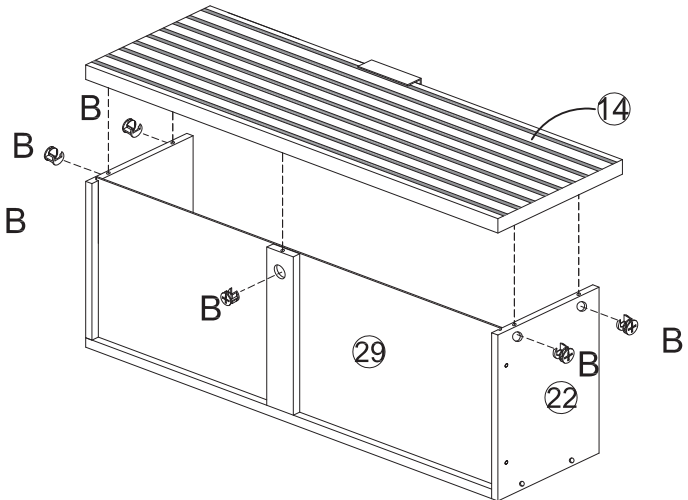
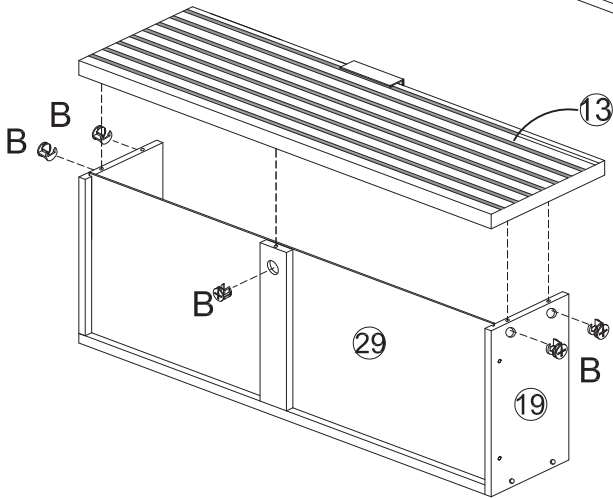
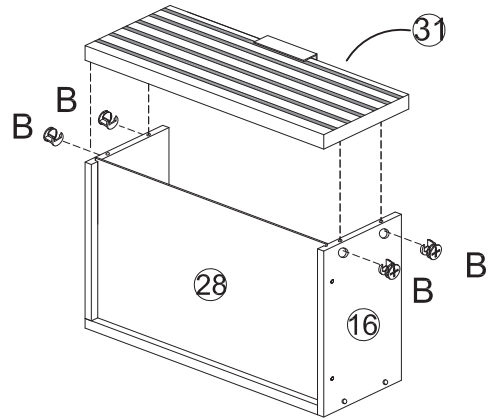
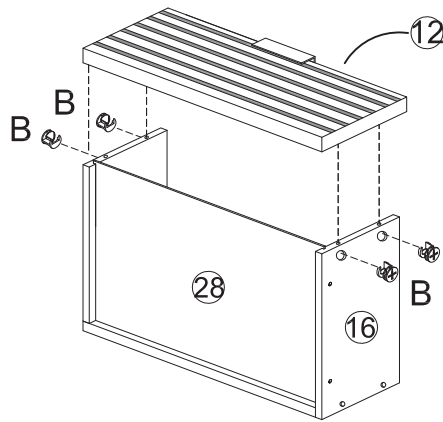
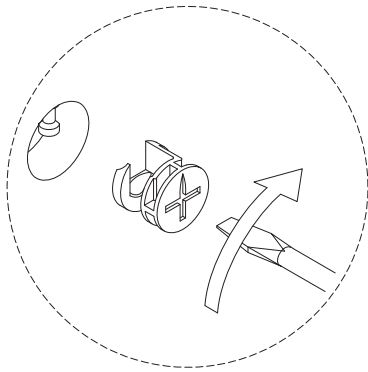
17.



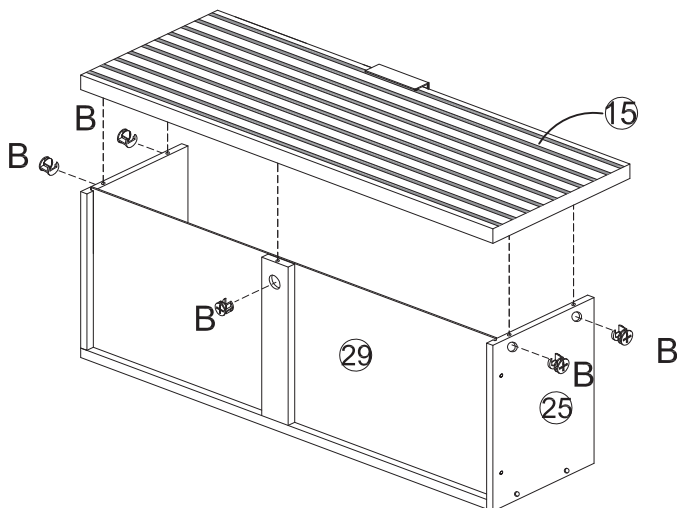
18.



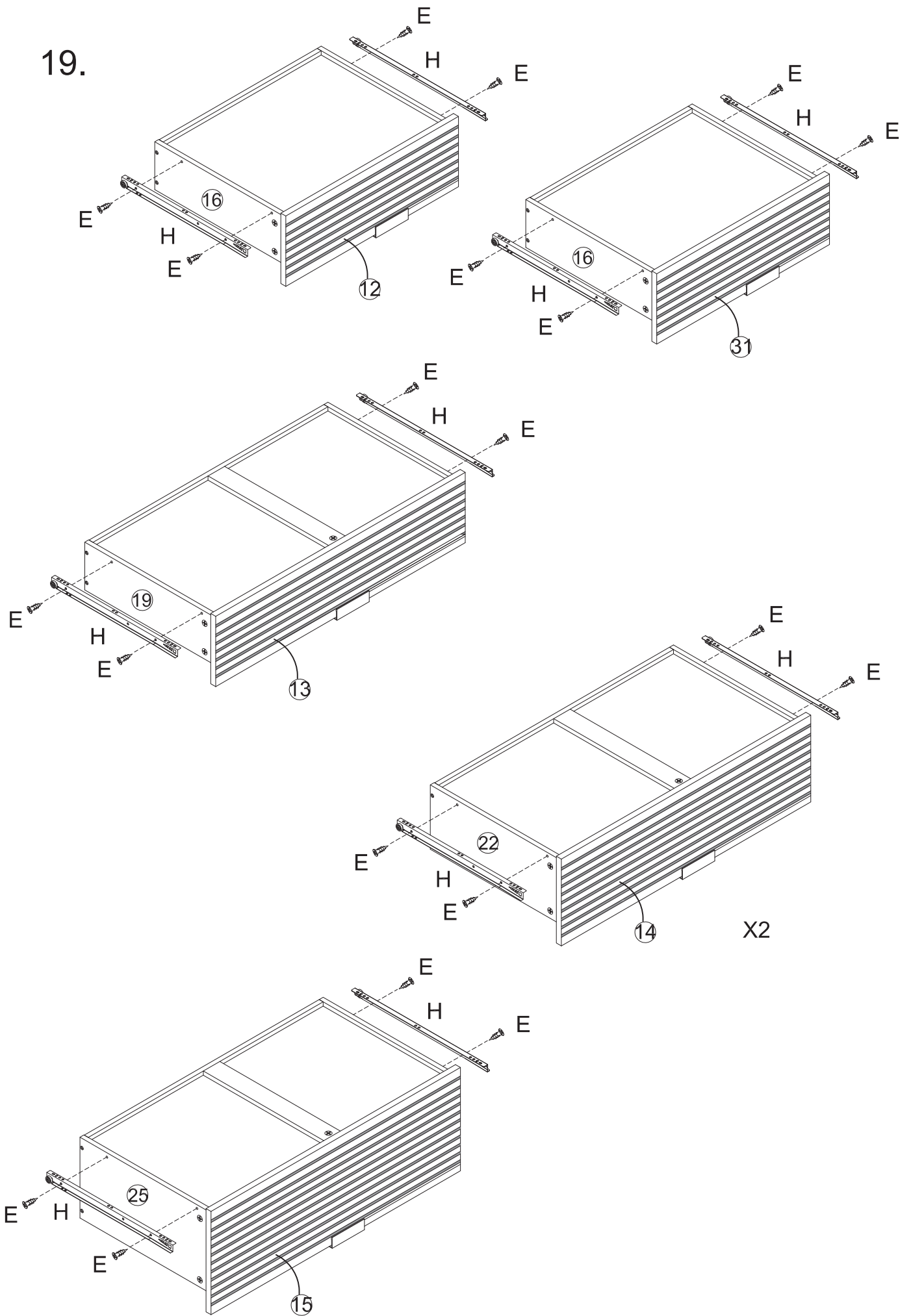
X2



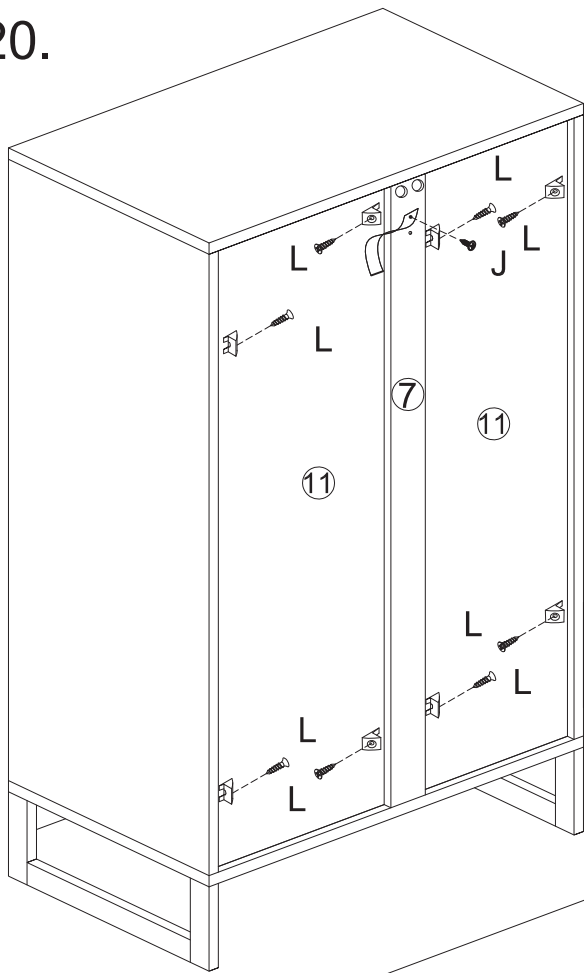
X2



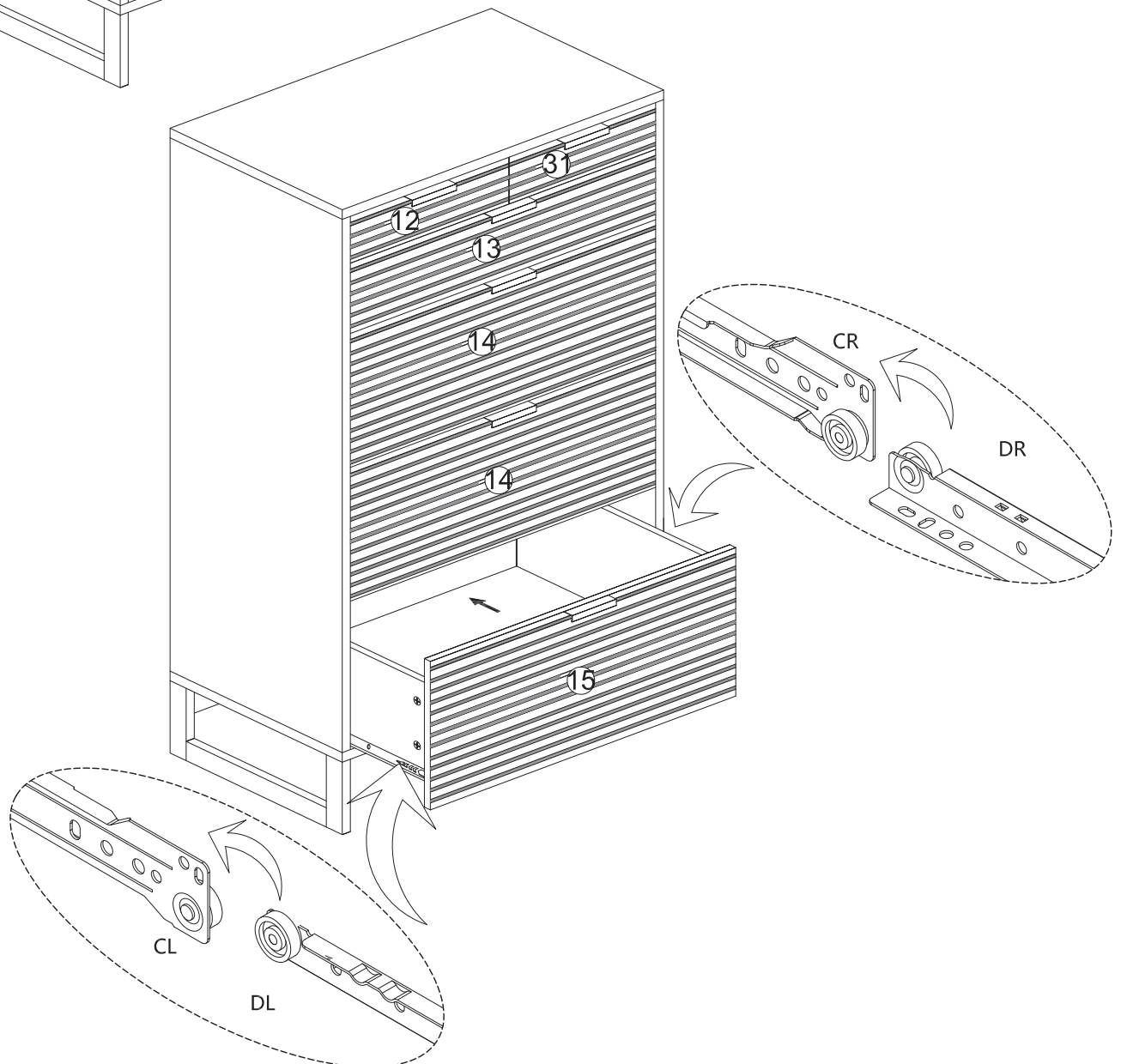
19.



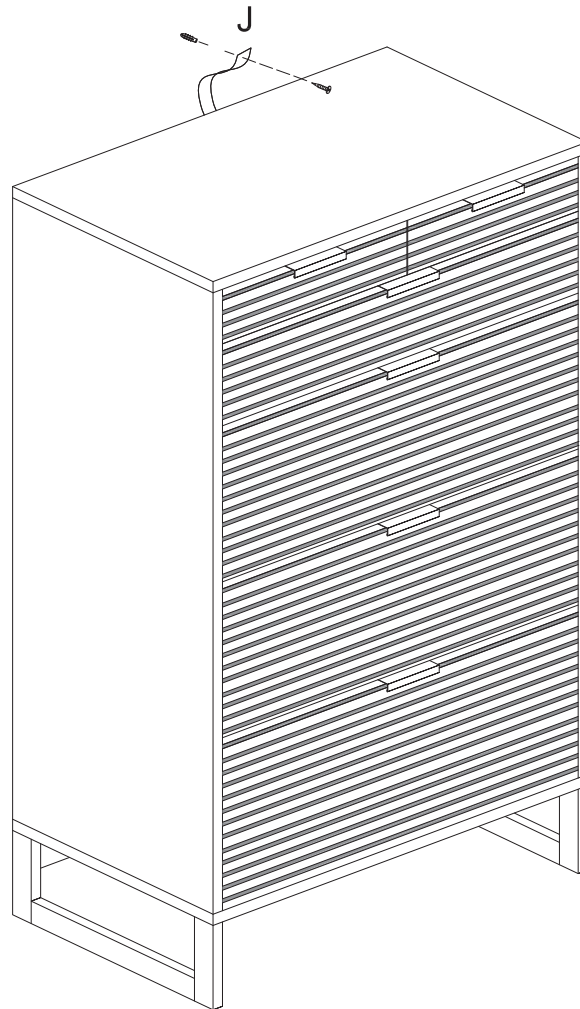
20.



21.



22.



Fitting J should be used to secure your ST COD CALX to the wall. Screws and fittings for wall are not supplied as different wall constructions require fittings that are suitable for your wall type. If you are unsure for the correct type of fitting for your wall, please contact your local specialised hardware store for information on suitable fitting.