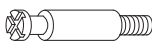





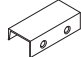




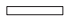
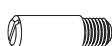


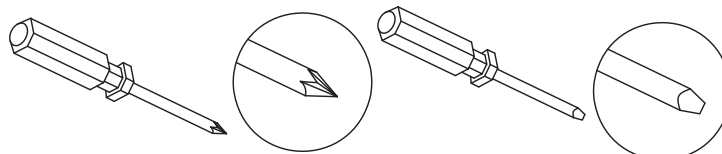
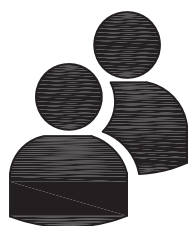
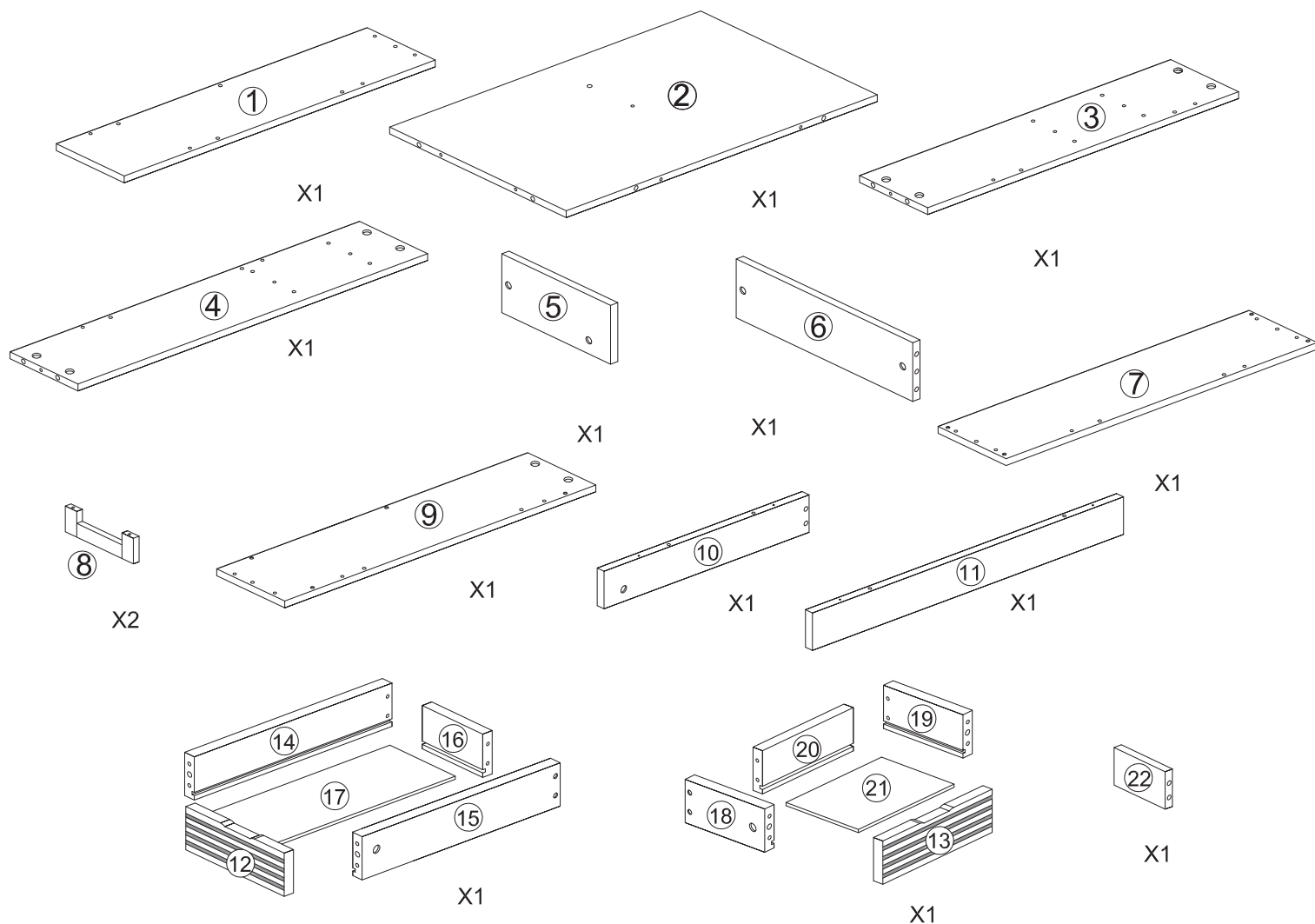
ASSEMBLY INSTRUCTIONS

FUTON

C O M P A N Y

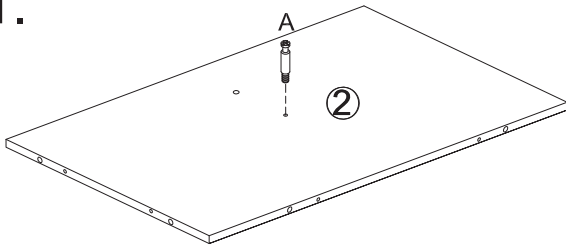
ST BTH SLIM KLEIO

A	B	C	D	E	F	G
						
29 PIECES	29 PIECES	40 PIECES	4 PIECES	4 PIECES	12 PIECES	2 PIECES
H	I	J	K	L	M	
						
8 PIECES	1 PIECE	1 PIECE	2 PIECES	2 PIECES	2 PIECES	

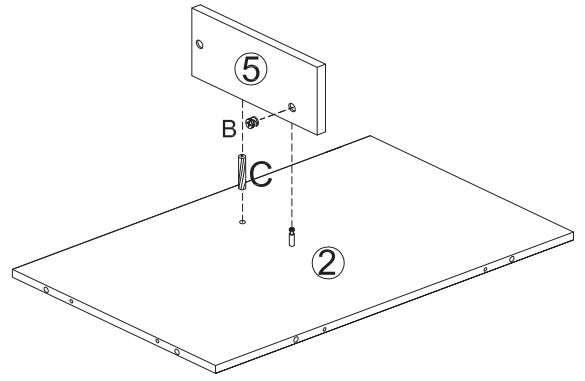


Allow 60 minutes to assemble this item

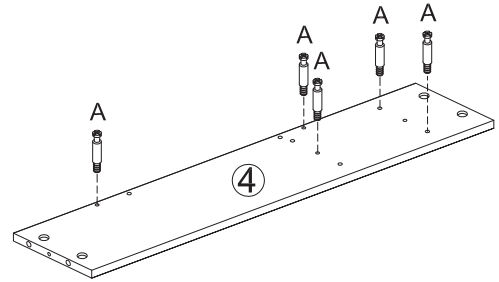
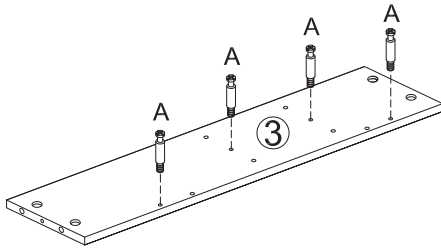
1.



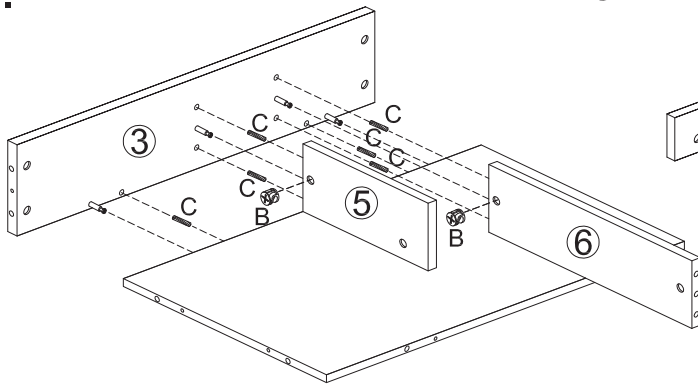
2.



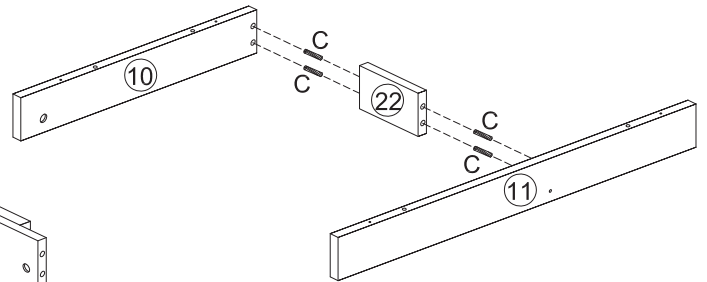
3.



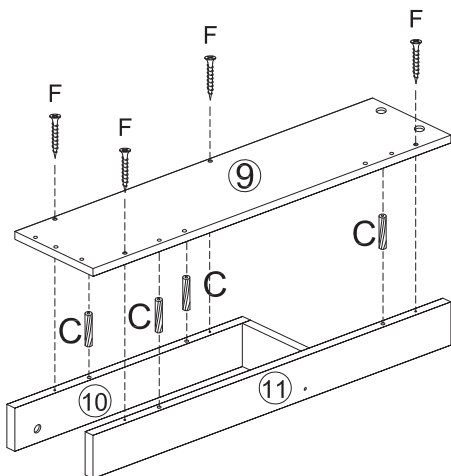
4.



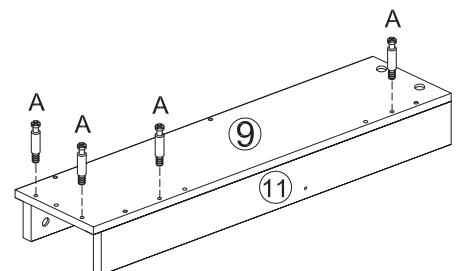
5.



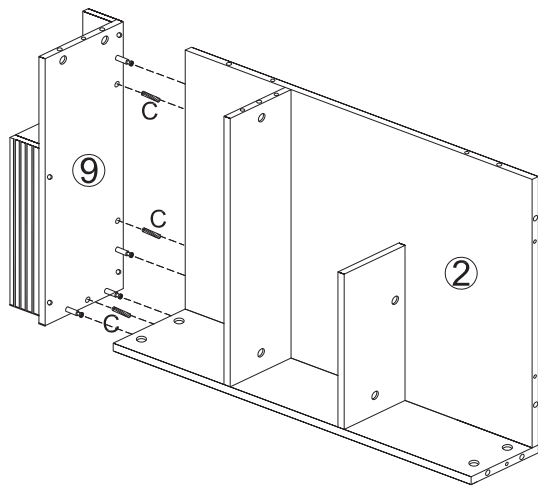
6.



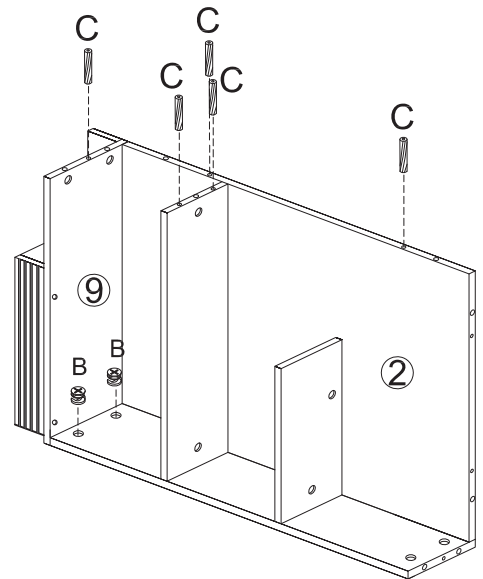
7.



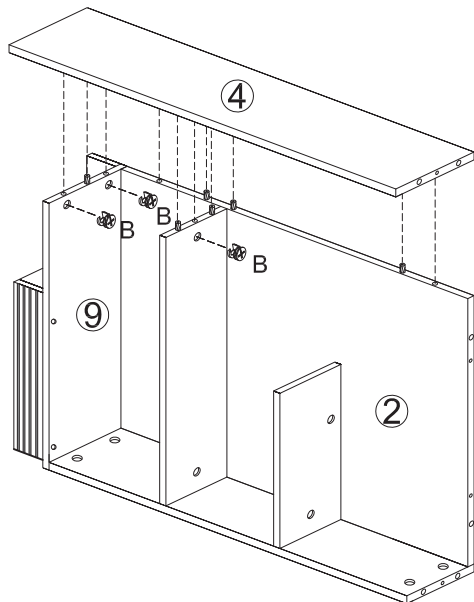
8.



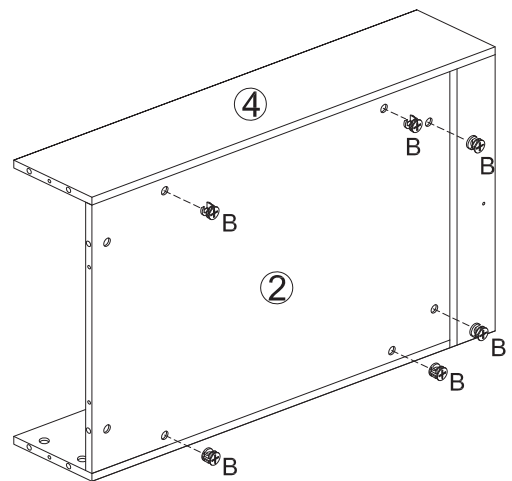
9.



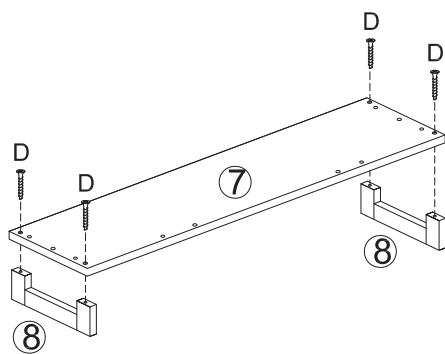
10.



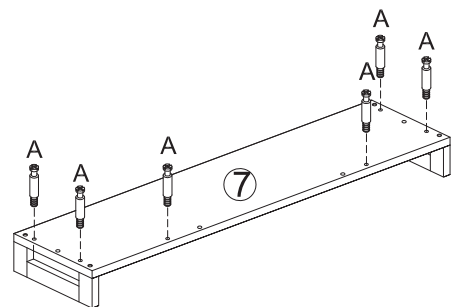
11.



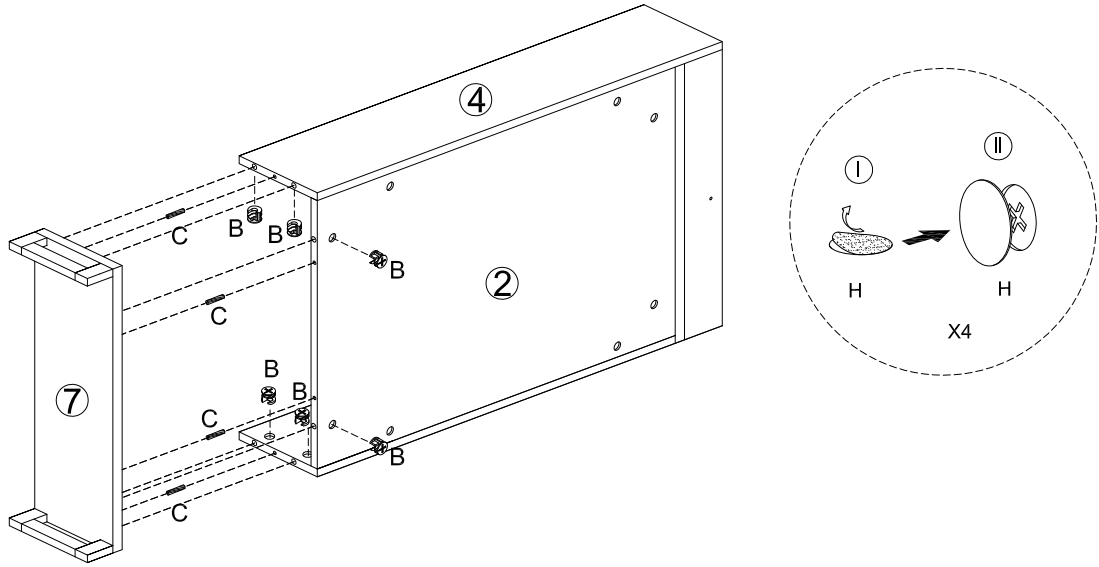
12.



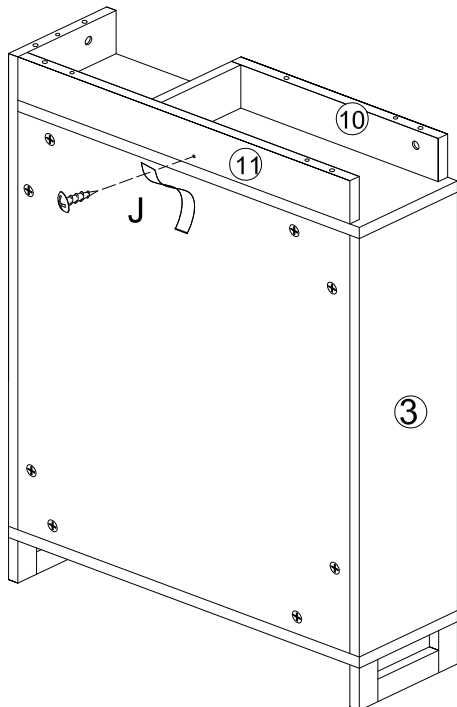
13.



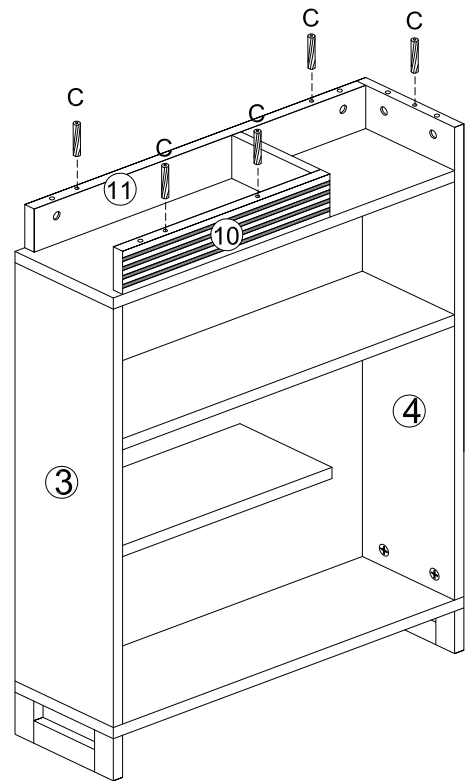
14.



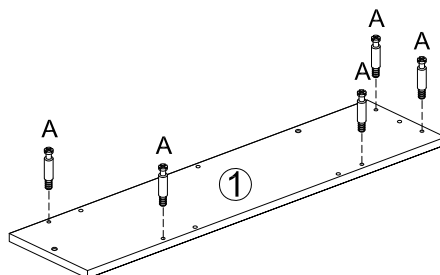
15.



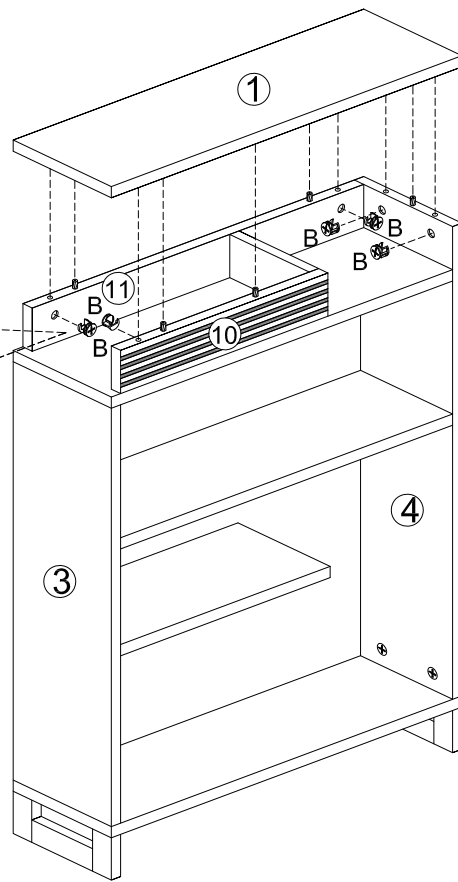
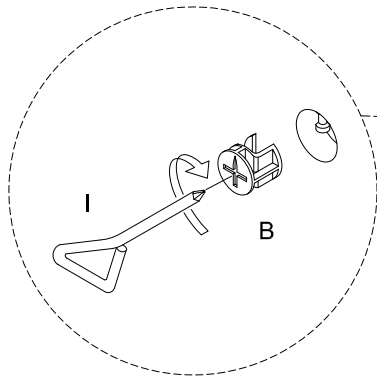
16.



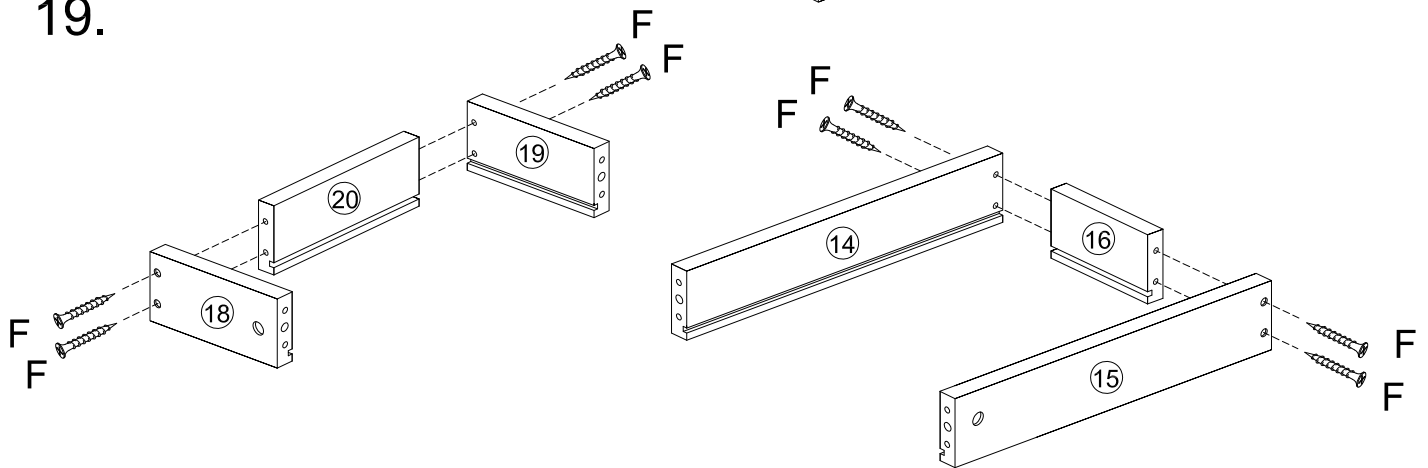
17.



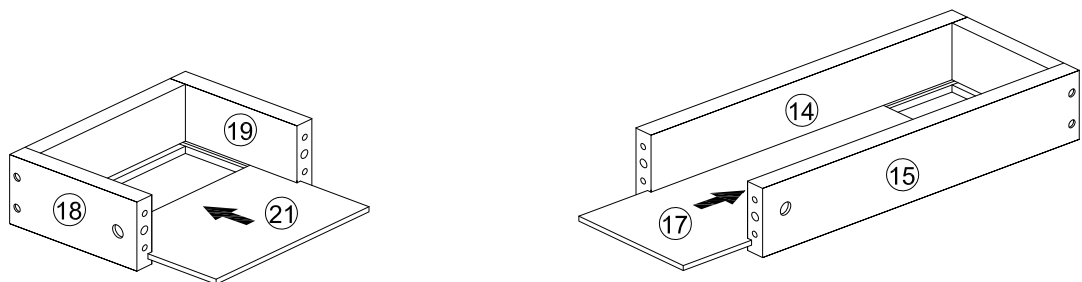
18.



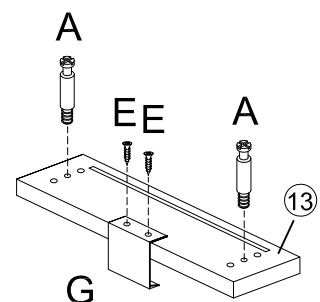
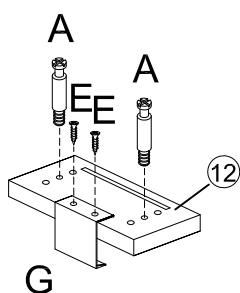
19.



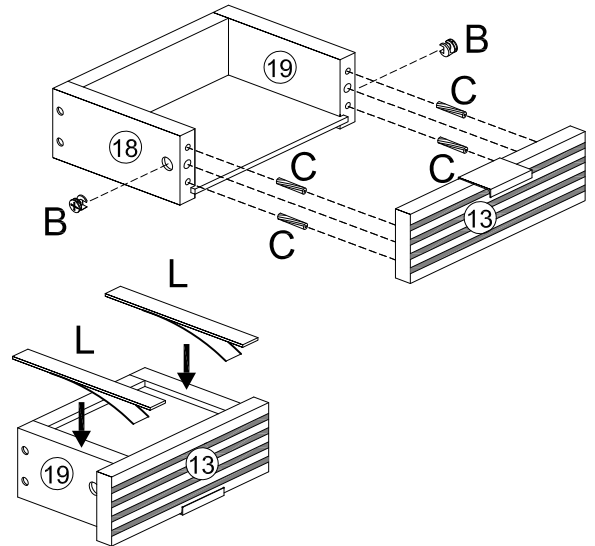
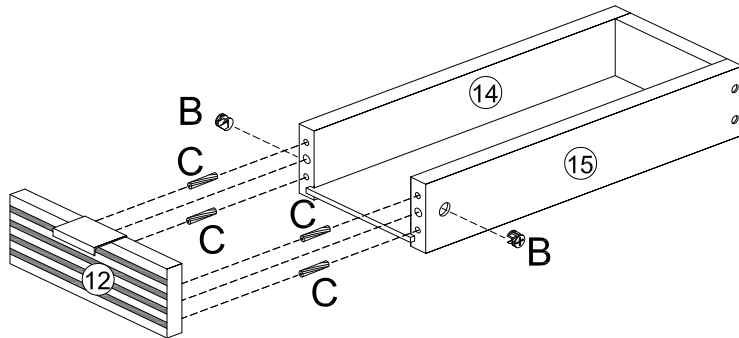
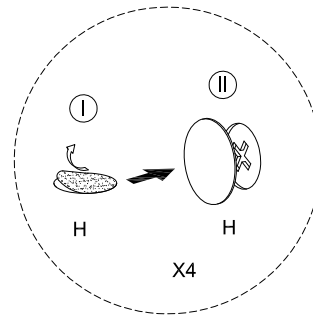
20.



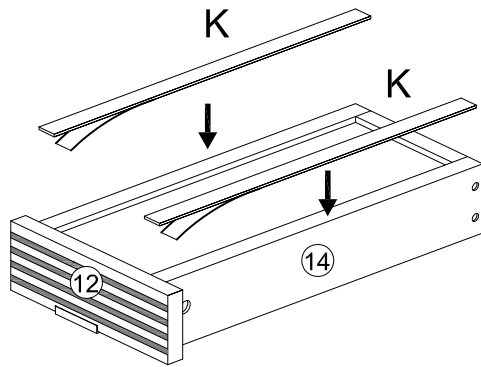
21.



22.

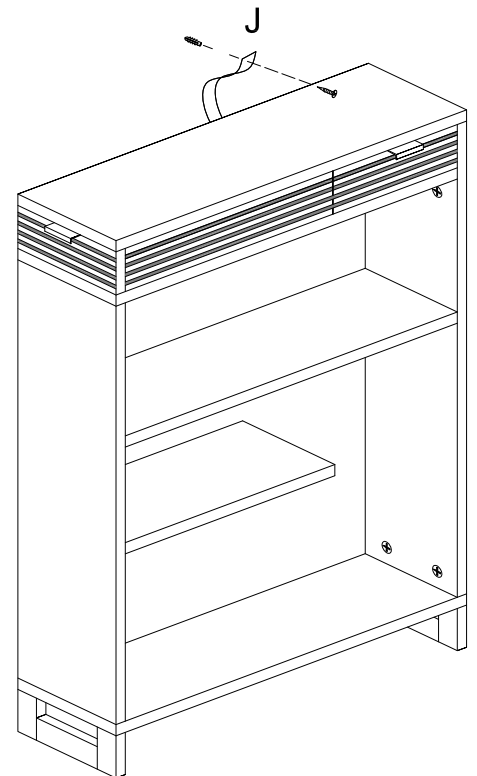
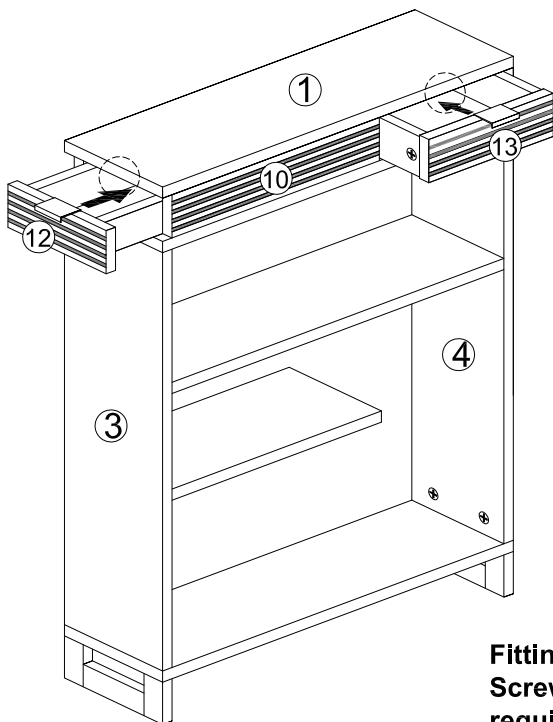
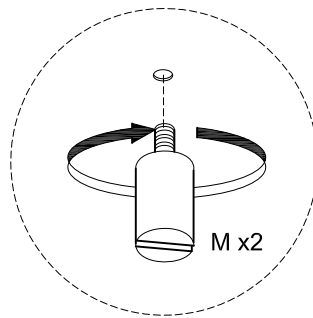


23.



25.

24.



Fitting J should be used to secure your ST BTH SLIM KLEIO to the wall. Screws and fittings for wall are not supplied as different wall constructions require fittings that are suitable for your wall type. If you are unsure for the correct type of fitting for your wall, please contact your local specialised hardware store for information on suitable fitting.