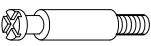


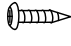

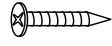


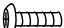
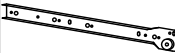





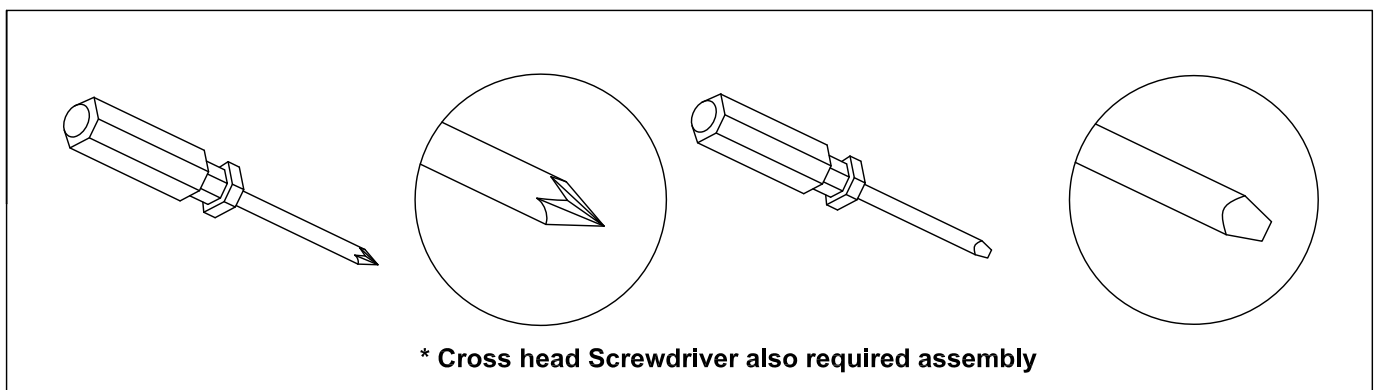
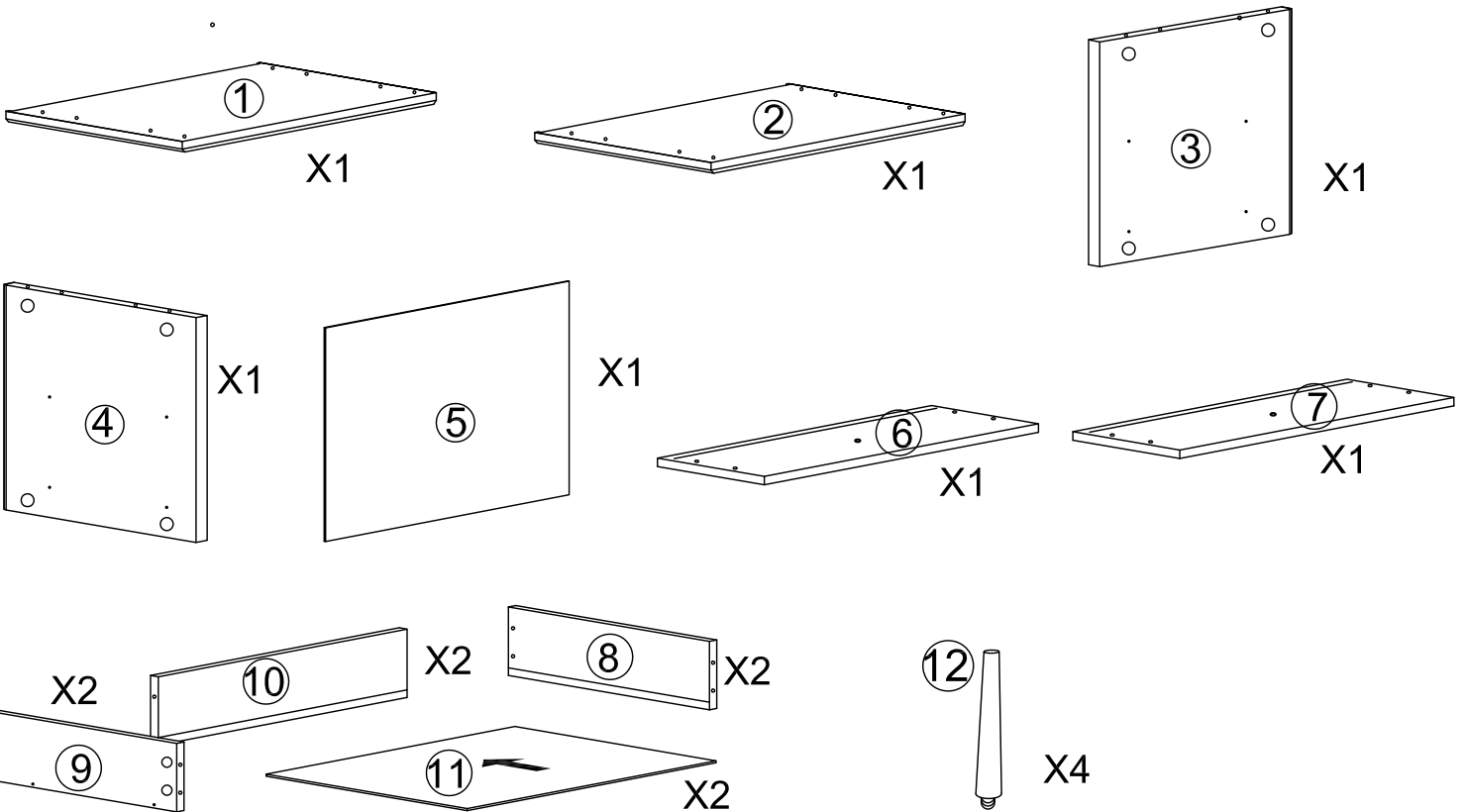
ASSEMBLY INSTRUCTIONS

Print Bedside Cabinet

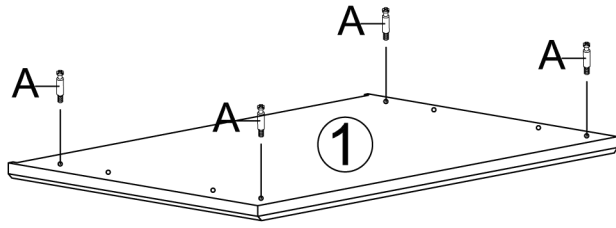


ST CAB PRINT

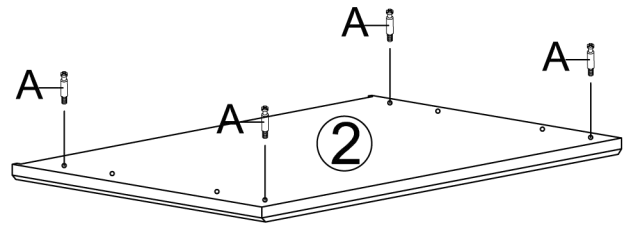
A	B	C	D	E	F	G
						
16 PIECES	16 PIECES	8 PIECES	20 PIECES	16 PIECES	8 PIECES	4 PIECES
H	I	J	K	L	M	
						
2 PIECES	2 PIECES	4 PIECES	4 PIECES	8 PIECES	4 PIECES	



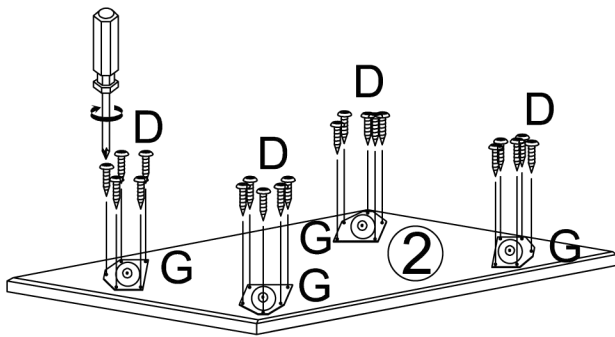
1.



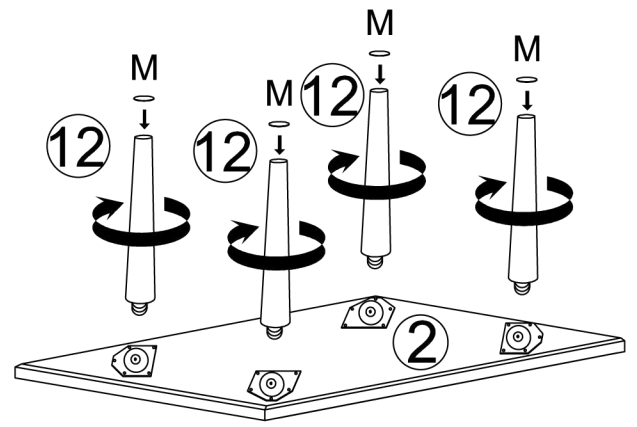
2.



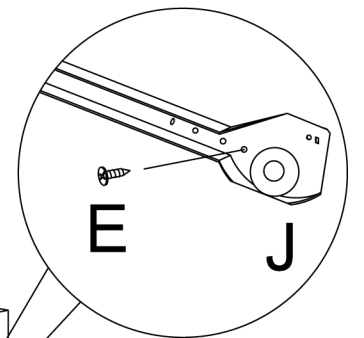
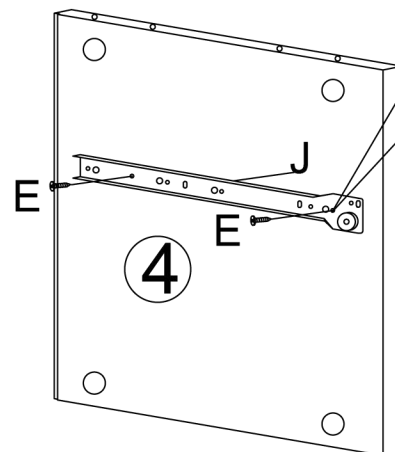
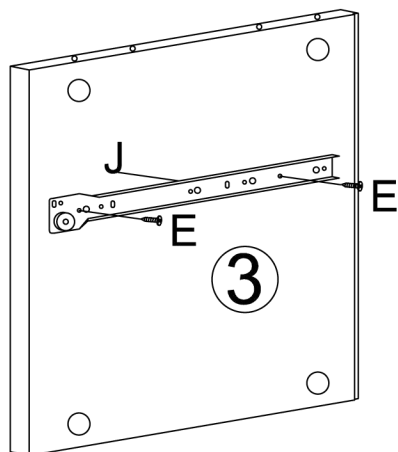
3.



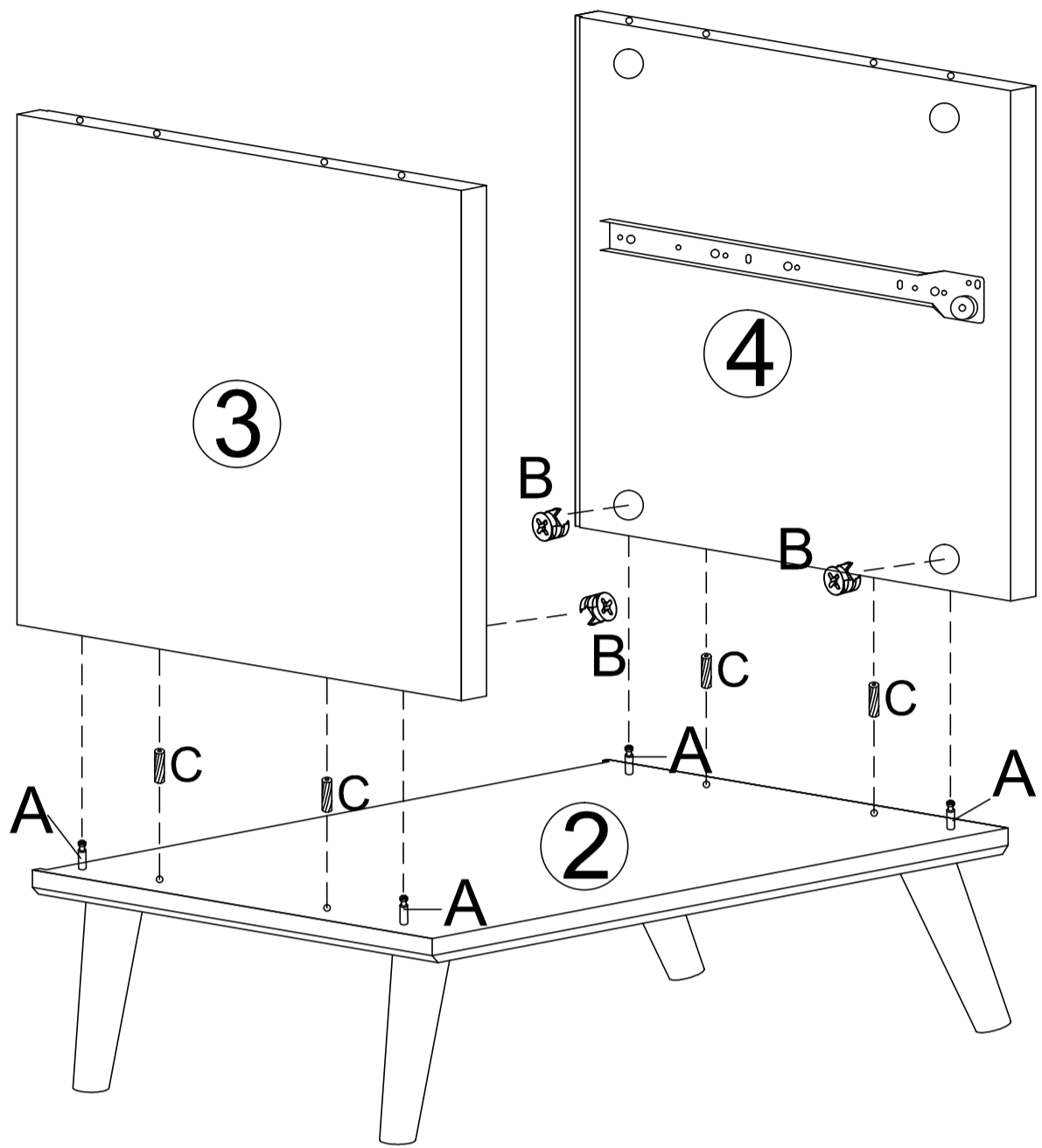
4.



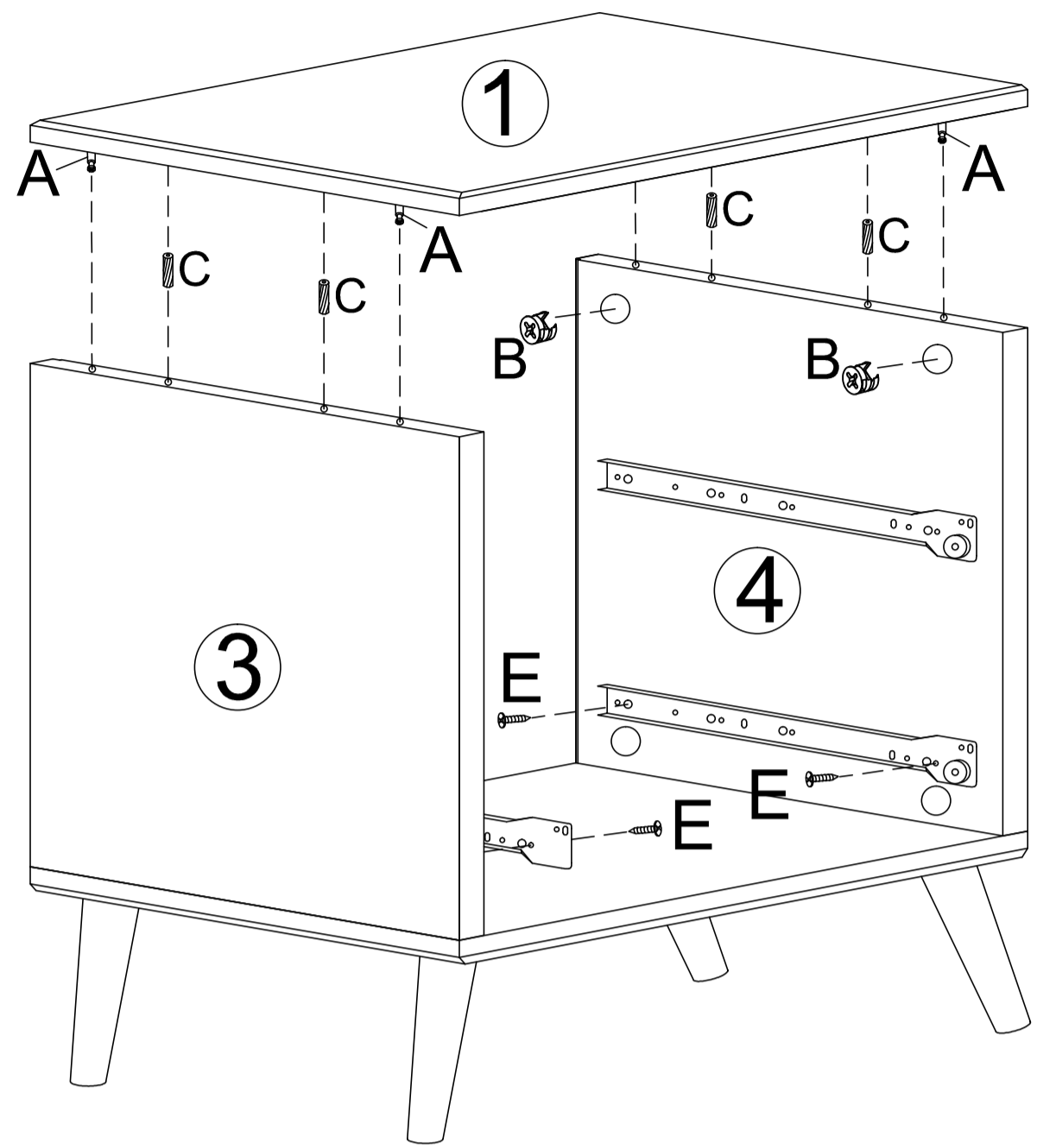
5.



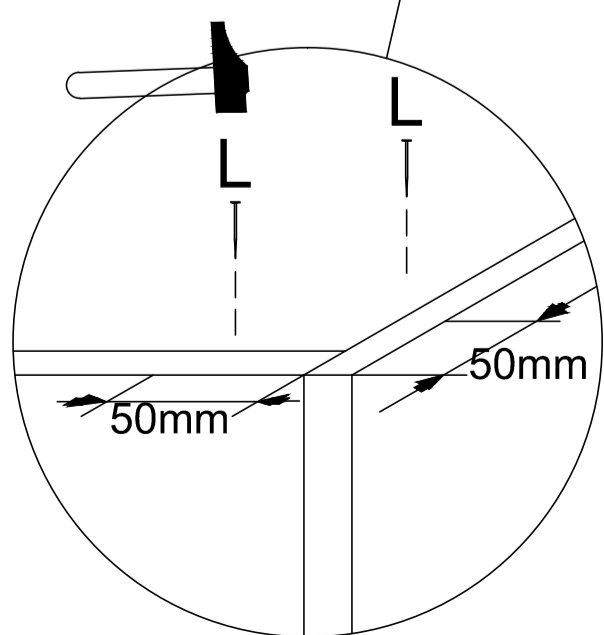
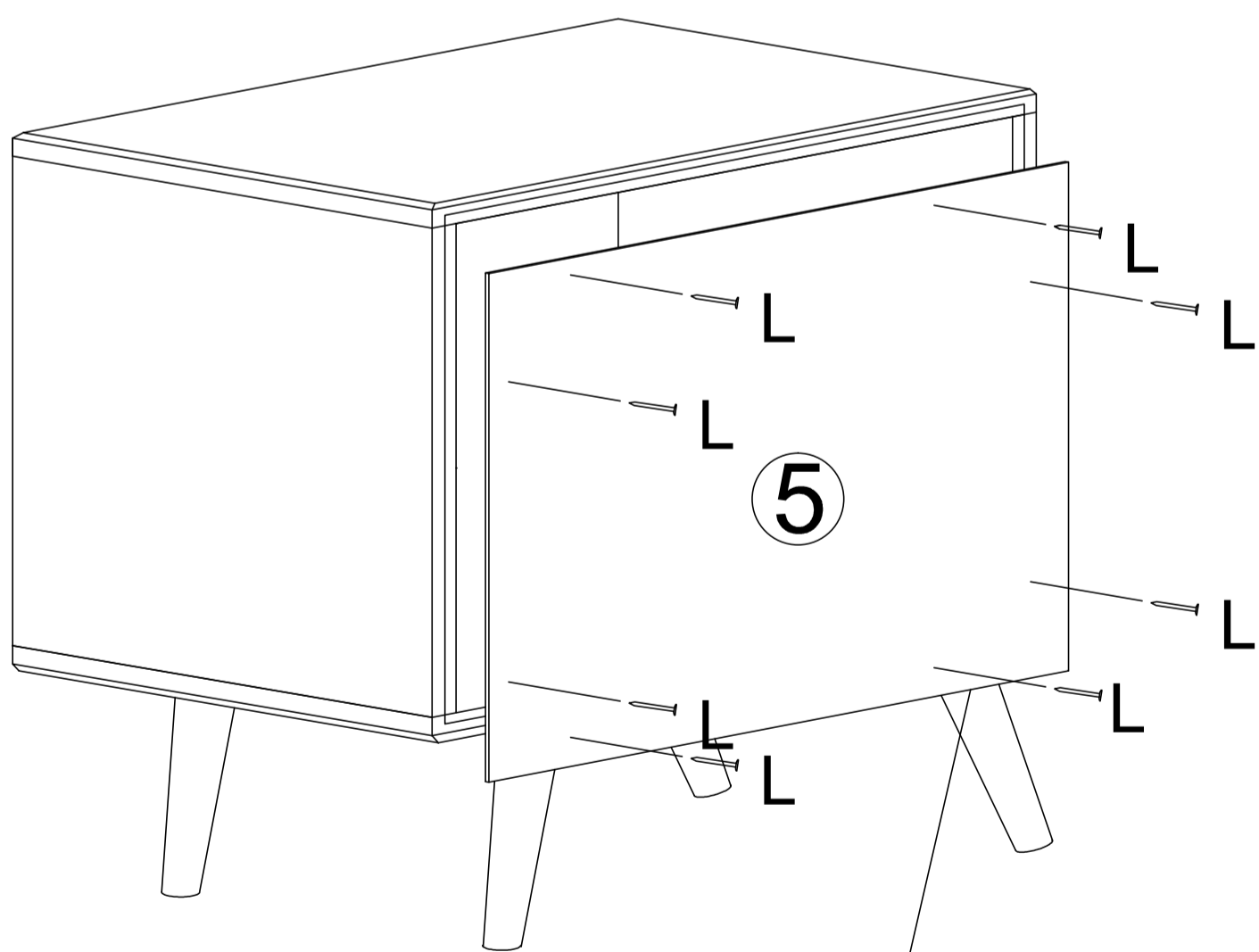
6.



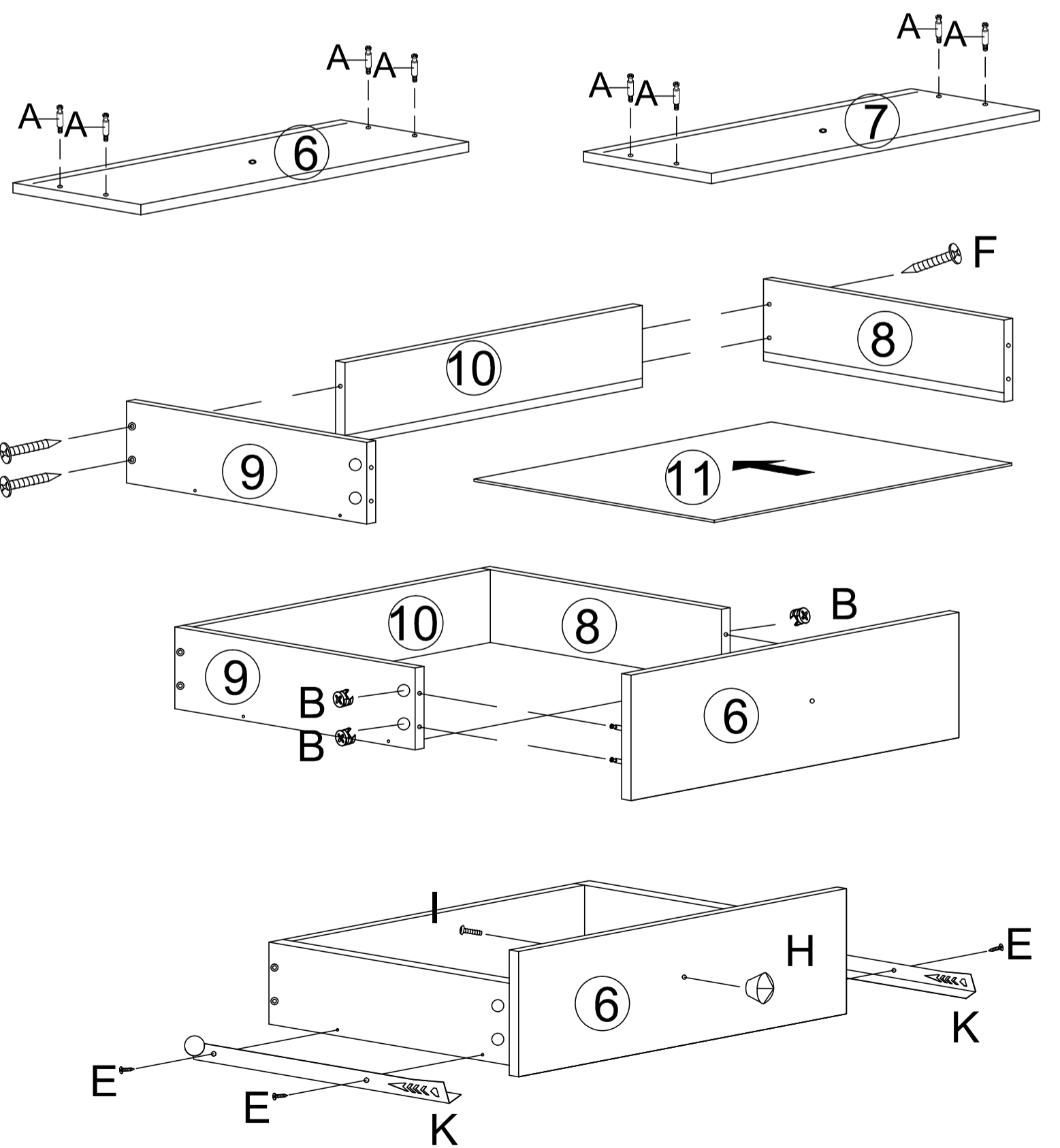
7.



8.



9.



x2

10.

