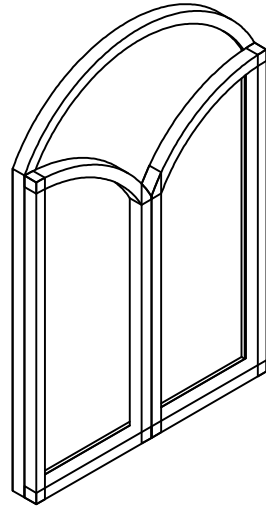


# Assembly Instructions



## Mirror - Igusa Large Folding Dresser Mirror

ROPO no:



**PLEASE READ THESE INSTRUCTIONS VERY CAREFULLY BEFORE YOU BEGIN, TO ENSURE THAT YOUR FUTON COMPANY PRODUCT WILL GIVE YOU MANY YEARS OF SATISFACTION**

**Thank you for buying Futon Company product**

**We are constantly striving to improve everything we do, but very occasionally mistakes do occur.**

**In the unlikely event that you find any part missing please call your nearest Futon Company store and we will arrange for the despatch of an immediate replacement.**

**Please keep all packaging until you have checked every part and assembly of your Futon Company product is complete.**

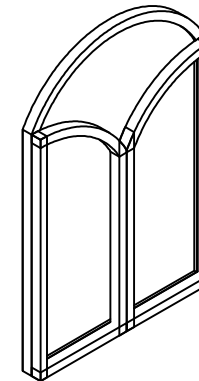
Version number: 1    Product code: MIRROR IGUSA DRESS    Date: 03/12/22

*experts in small space living*



### Parts Checklist

Please count and check every component very carefully before you begin



① Mirror x 1



### Fittings Checklist

Please count and check every component very carefully before you begin



Ⓐ Wall Fixing x 2



Ⓑ Screw x 2



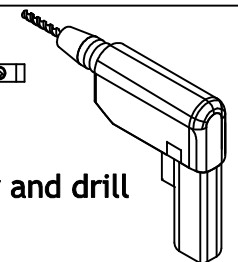
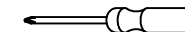
Ⓒ Bracket x 1



Ⓓ Short Screw x 2

To hang your Mirror correctly use the paper template. The distance between the two holes is 400mm. When tightening screws make sure they are close to the wall so the Mirror is tight to the wall when hung on keyhole plates.

Ⓔ paper template x 1



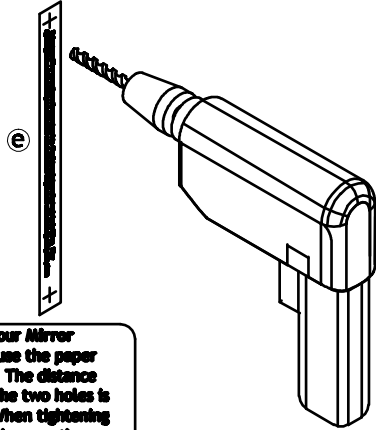
**\*\*\* Cross head Screwdriver, spirit level, Hammer and drill also required for assembly.**



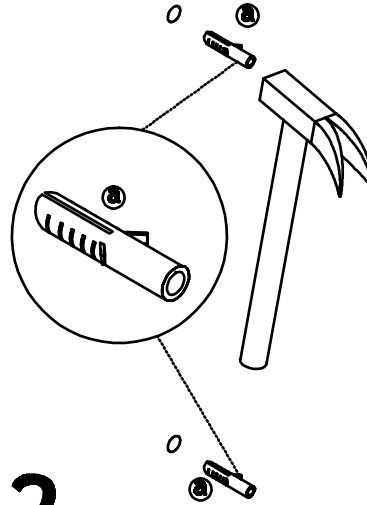
## How To Wall Mount Your Mirror

Please follow these instructions carefully

Fittings are supplied to fix your Mirror to the wall. You may need to purchase a different fitting to the type provided for your wall type. If you are unsure of the correct fitting please contact your local specialised hardware store for advice and to purchase the correct fitting.



To hang your Mirror correctly use the paper template. The distance between the two holes is 400mm. When tightening screws make sure they are close to the wall so the Mirror is tight to the wall when hung on keyhole plates.



1. 2.



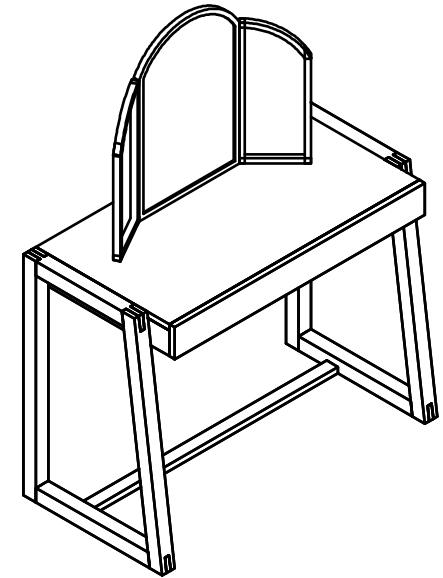
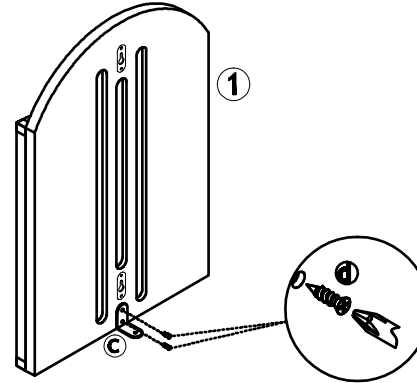
## How To Attach Mirror To Table

Please follow these instructions carefully

To secure your mirror to a table, please use Fitting C provided.

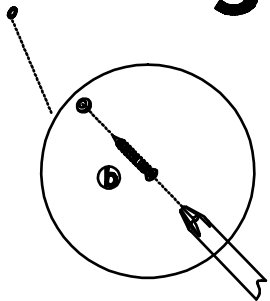
# FUTON

C O M P A N Y

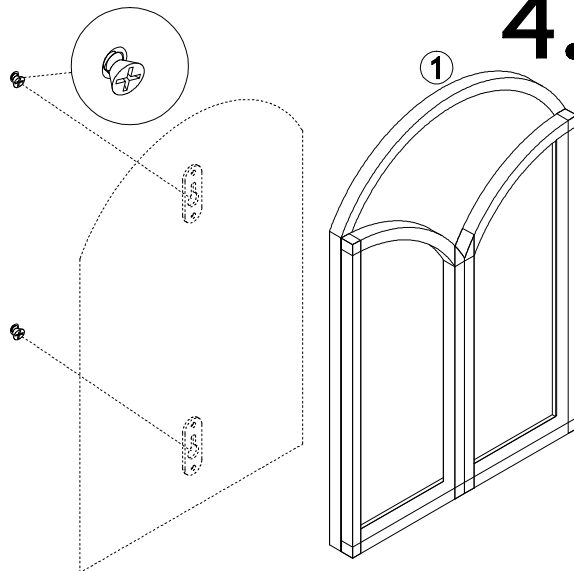


1. 2.

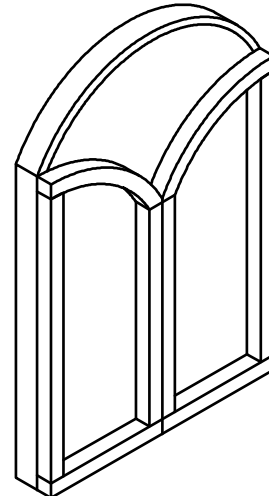
3.



4.



5.



## How To Use

Please read carefully

### FINISH

Your Mirror is made from solid Oak and has a lacquered finish.

### CARE

To clean your Mirror, wipe with a damp cloth followed by a dry cloth.

### IMPORTANT

To ensure maximum performance from this product, we advise that you check and tighten all bolts and screws on a regular basis to avoid damage.

### GUARANTEE

This instruction leaflet forms part of your guarantee, please retain it. The ROPO number along with your invoice number will need to be quoted in all correspondence with Futon Company.

Thank you for choosing Futon Company.