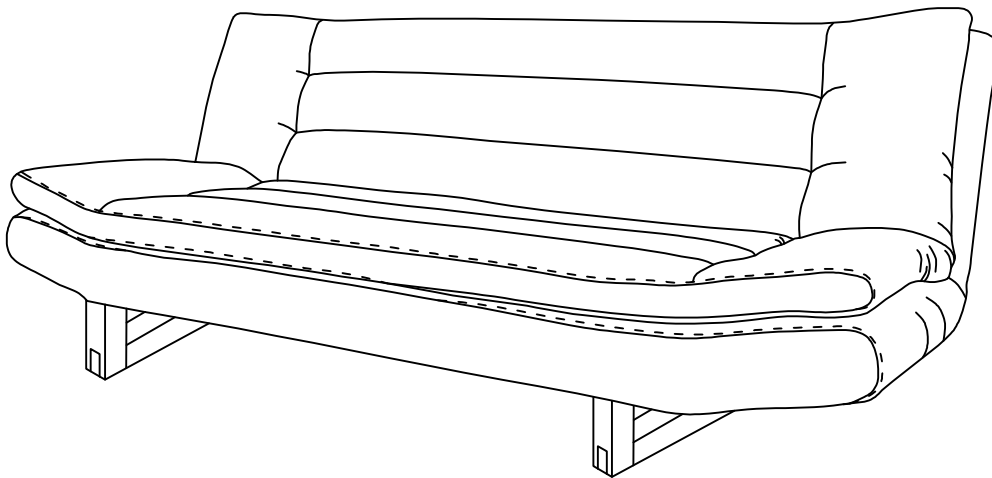




## SB3 COSY V3 ASSEMBLY INSTRUCTIONS

PO10400



Please read these instructions very carefully before you begin, to ensure that your Futon Company sofa bed will give you many years of satisfaction.

Thank you for buying a Futon Company product. We are constantly striving to improve everything we do, but very occasionally mistakes do occur. In the unlikely event that you find any part missing, please contact your nearest Futon Company store and we will arrange for despatch of an immediate replacement.

Please keep all packing until you have checked every part and assembly of your Futon Company product is complete;

# Hardware List

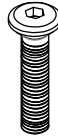
A



4mm

1 X

B



Ø0.25" x 0.5"

8 X

C



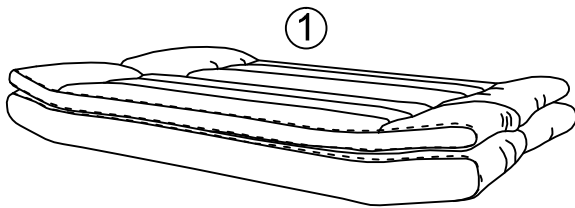
Ø6 x 16mm

8 X

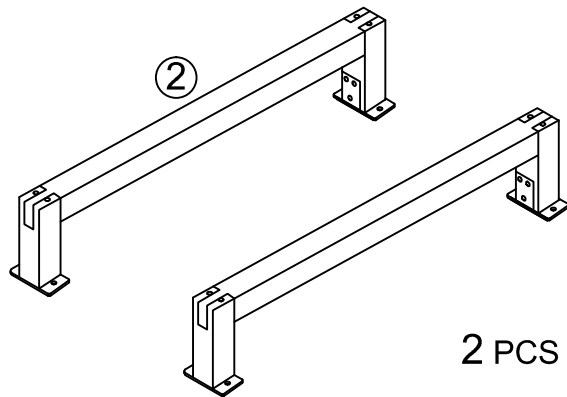
ATTENTION:BEFORE STARTING TO ASSEMBLE PLEASE ENSURE ALL PARTS ON THIS PAGE ARE AVAILABLE

# Part List

## CARTON (A)

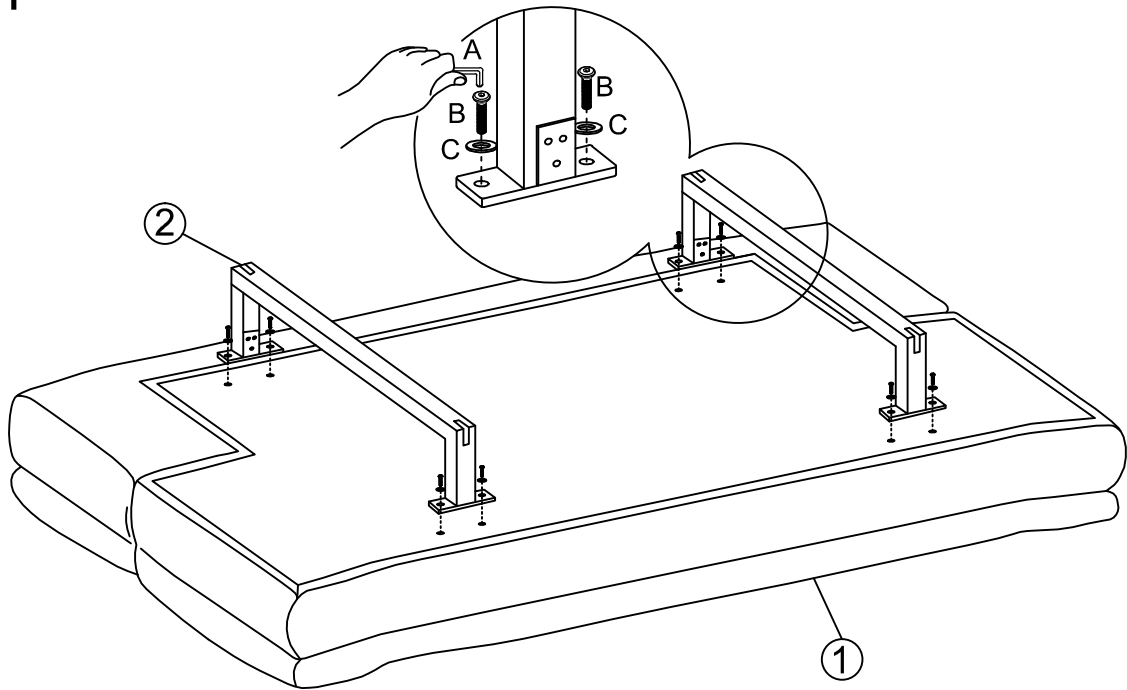


1 PCS

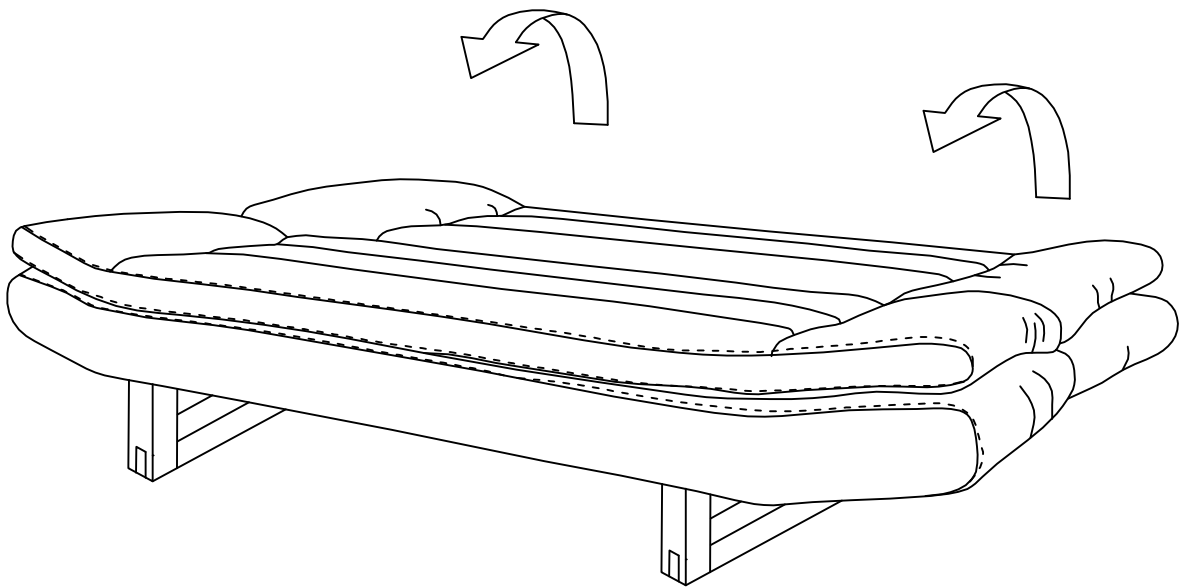


2 PCS

# Step 1

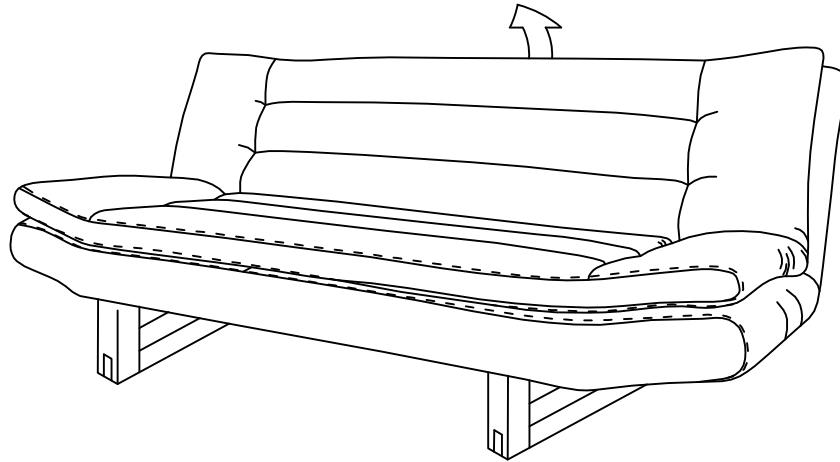


# Finish.

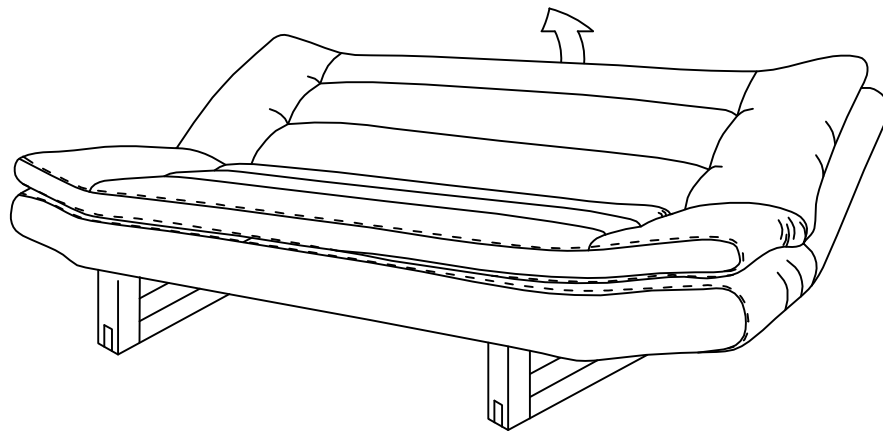


# USER INSTRUCTIONS

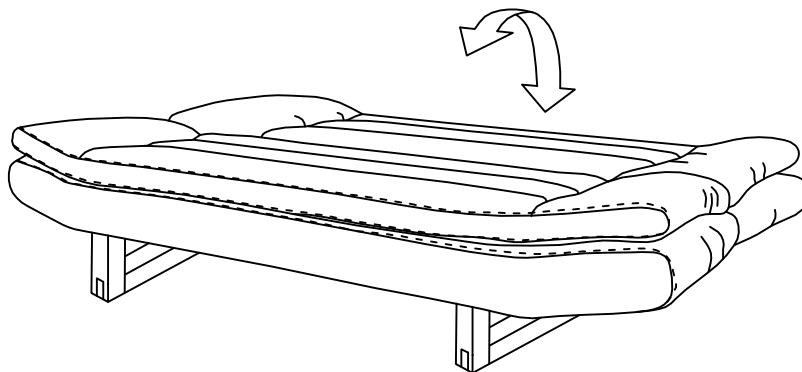
Step 1



Step 2



Step 3



# CARE INSTRUCTIONS

To protect and care for your sofa, we suggest the following cautions:  
Position the sofa at least 50 cm, from sources of heat such as heaters or radiators.

Avoid exposing the sofa to direct sunlight or to powerful lamps to ensure the colour of the covering remains bright.

Avoid jumping on the sofa and do not throw yourself violently onto the sofa.

Do not sit on the arms and/or the back.

Do not drag the sofa over rough surfaces (carpets, wall to wall carpets, etc) and if the sofa has to be moved, it must be lifted and not pushed, even when on smooth surfaces.

Do not pull the sofa by the arm to avoid breaking the stitching.

Don't pull loose threads, cut them instead.

To remove dust from your fabric sofa, brush delicately using a brush with soft bristles, or use a vacuum cleaner at a medium power setting using the most suitable accessory supplied with the cleaner and taking care not to rub the accessory directly on the covering.

To maintain the aesthetic appearance it is advisable to treat each stain before it is absorbed: this will avoid prolonged or abrasive treatments being required.

If it is found necessary to use solvents, avoid applying the solvents directly on the stain. Pour the solvent onto a clean cloth: each treatment should first be tested on a hidden area of the sofa.

Use of detergents for washing dishes or similar detergents is not recommended because residues may be deposited on the covering fibres.

Clean the stain by adopting a circular movement, working from the outside towards the centre. Always take care to rub each stain delicately.

If you purchase a new sofa, with a covering that is an identical article and/or has the same colours as a sofa that you already own, it is possible that you may note slight differences in shades of color between the two.